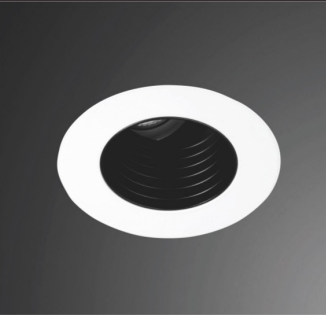



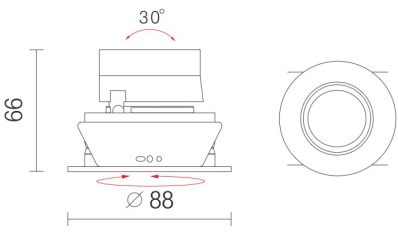
DW-881







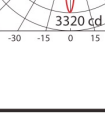


Halogen MR-16, GU-10 or GZ-10 or LED retrofit lamp available

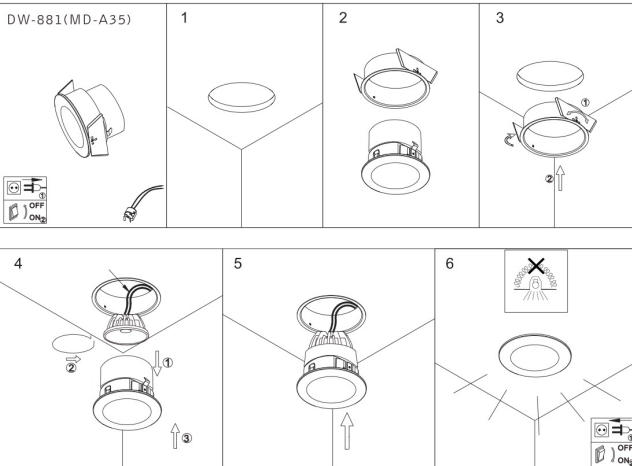
Cut out : Ø75



REPLACE HALOGEN LAMP WITH LED LIGHT SOURCE, ERP CLASS WILL UP TO A.

 <p>MD-A35 (500lm)</p> <p>CoB 500lm 350mA WW 25°</p> <table border="1"> <thead> <tr> <th>H(m)</th> <th>D(m)</th> <th>E(lx)</th> </tr> </thead> <tbody> <tr><td>90</td><td>1.0</td><td>0.4</td></tr> <tr><td>75</td><td>1.0</td><td>0.4</td></tr> <tr><td>60</td><td>2.0</td><td>0.9</td></tr> <tr><td>45</td><td>3.0</td><td>1.3</td></tr> </tbody> </table> <p>1030 cd</p>	H(m)	D(m)	E(lx)	90	1.0	0.4	75	1.0	0.4	60	2.0	0.9	45	3.0	1.3	<p>ErP Class A</p>  <p>MD-B001 (800lm)</p> <p>CoB 800lm 500mA WW 25°</p> <table border="1"> <thead> <tr> <th>H(m)</th> <th>D(m)</th> <th>E(lx)</th> </tr> </thead> <tbody> <tr><td>90</td><td>1.0</td><td>0.4</td></tr> <tr><td>75</td><td>1.0</td><td>0.4</td></tr> <tr><td>60</td><td>2.0</td><td>0.9</td></tr> <tr><td>45</td><td>3.0</td><td>1.3</td></tr> </tbody> </table> <p>1460 cd</p>	H(m)	D(m)	E(lx)	90	1.0	0.4	75	1.0	0.4	60	2.0	0.9	45	3.0	1.3
H(m)	D(m)	E(lx)																													
90	1.0	0.4																													
75	1.0	0.4																													
60	2.0	0.9																													
45	3.0	1.3																													
H(m)	D(m)	E(lx)																													
90	1.0	0.4																													
75	1.0	0.4																													
60	2.0	0.9																													
45	3.0	1.3																													
 <p>MD-D001 (700lm)</p> <p>CoB 700lm 450mA WW 15°</p> <table border="1"> <thead> <tr> <th>H(m)</th> <th>D(m)</th> <th>E(lx)</th> </tr> </thead> <tbody> <tr><td>90</td><td>1.0</td><td>0.3</td></tr> <tr><td>75</td><td>1.0</td><td>0.3</td></tr> <tr><td>60</td><td>2.0</td><td>0.5</td></tr> <tr><td>45</td><td>3.0</td><td>0.8</td></tr> </tbody> </table> <p>3320 cd</p>	H(m)	D(m)	E(lx)	90	1.0	0.3	75	1.0	0.3	60	2.0	0.5	45	3.0	0.8	<p>ErP Class A</p>  <p>MD-B001 (800lm)</p> <p>CoB 800lm 500mA WW 40°</p> <table border="1"> <thead> <tr> <th>H(m)</th> <th>D(m)</th> <th>E(lx)</th> </tr> </thead> <tbody> <tr><td>90</td><td>1.0</td><td>0.7</td></tr> <tr><td>75</td><td>1.0</td><td>0.7</td></tr> <tr><td>60</td><td>2.0</td><td>1.5</td></tr> <tr><td>45</td><td>3.0</td><td>2.2</td></tr> </tbody> </table> <p>1160 cd</p>	H(m)	D(m)	E(lx)	90	1.0	0.7	75	1.0	0.7	60	2.0	1.5	45	3.0	2.2
H(m)	D(m)	E(lx)																													
90	1.0	0.3																													
75	1.0	0.3																													
60	2.0	0.5																													
45	3.0	0.8																													
H(m)	D(m)	E(lx)																													
90	1.0	0.7																													
75	1.0	0.7																													
60	2.0	1.5																													
45	3.0	2.2																													
 <p>MD-D001 (700lm)</p> <p>CoB 700lm 450mA WW 24°</p> <table border="1"> <thead> <tr> <th>H(m)</th> <th>D(m)</th> <th>E(lx)</th> </tr> </thead> <tbody> <tr><td>90</td><td>1.0</td><td>0.4</td></tr> <tr><td>75</td><td>1.0</td><td>0.4</td></tr> <tr><td>60</td><td>2.0</td><td>0.9</td></tr> <tr><td>45</td><td>3.0</td><td>1.3</td></tr> </tbody> </table> <p>2270 cd</p>	H(m)	D(m)	E(lx)	90	1.0	0.4	75	1.0	0.4	60	2.0	0.9	45	3.0	1.3	<p>CoB 700lm 450mA WW 36°</p> <table border="1"> <thead> <tr> <th>H(m)</th> <th>D(m)</th> <th>E(lx)</th> </tr> </thead> <tbody> <tr><td>90</td><td>1.0</td><td>0.6</td></tr> <tr><td>75</td><td>1.0</td><td>0.6</td></tr> <tr><td>60</td><td>2.0</td><td>1.3</td></tr> <tr><td>45</td><td>3.0</td><td>1.9</td></tr> </tbody> </table> <p>1310 cd</p>	H(m)	D(m)	E(lx)	90	1.0	0.6	75	1.0	0.6	60	2.0	1.3	45	3.0	1.9
H(m)	D(m)	E(lx)																													
90	1.0	0.4																													
75	1.0	0.4																													
60	2.0	0.9																													
45	3.0	1.3																													
H(m)	D(m)	E(lx)																													
90	1.0	0.6																													
75	1.0	0.6																													
60	2.0	1.3																													
45	3.0	1.9																													

INSTRUCTIONS of DW-881(MD-A35)



DW-881(MD-B001)

Better Light shield Design:
The special light shield design prevent light emitting from the back on the ceiling side at each tilting angles.



- Fixing string
- Available light source: MR-16 type. LED, CoB or Halogen.
- Accessories: Honeycomb/matte glass.
- Separate light head: Rotatable in the mounting ring.