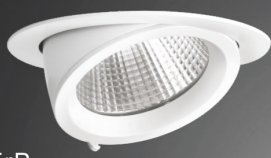
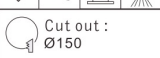


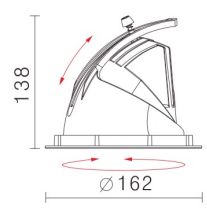
# CEILING LIGHTS

COLOR : WU  BK  SY  LED COLOR : WW  NW

**DW-304**


  
**ErP Class A**
  
**3100lm**

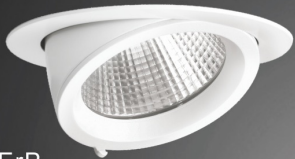

  
 Cut out :  $\varnothing 150$



  
 138
   
 $\varnothing 162$

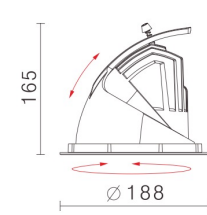
**LED**
  
 CITIZEN CoB
   
**POWER**
  
 25.5W(700mA,36V)

Beam Angle	H(m)	D(m)	E(lx)	cd
10°	1.0	0.2	16000	16000
20°	2.0	0.3	4000	10900
30°	3.0	0.5	1778	5050
40°	4.0	0.7	1263	2500
70°	3.0	2.2	561	2500

**DW-305**


  
**ErP Class A**
  
**3100lm**
  
**3800lm**
  
**\* 4700lm**


  
 Cut out :  $\varnothing 175$


  
 165
   
 $\varnothing 188$

**LED**
  
 CITIZEN CoB
   
**POWER**
  
 \*38W(1050mA,36V)
   
 \*4700lm for standard application

Beam Angle	H(m)	D(m)	E(lx)	cd
12°	1.0	0.2	47000	47000
20°	2.0	0.4	11750	19000
30°	3.0	0.6	5222	7700
40°	4.0	0.7	1925	2900
70°	3.0	2.2	856	2900

