


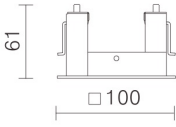
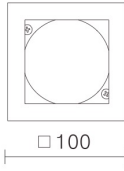



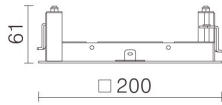
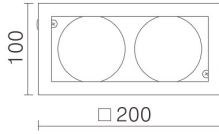
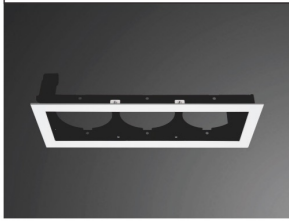


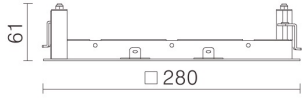
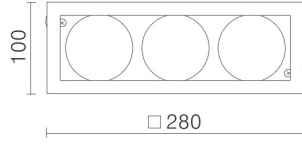

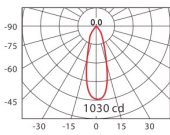
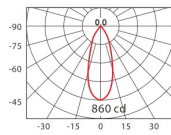

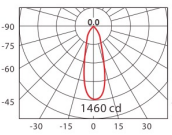
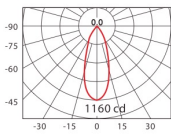

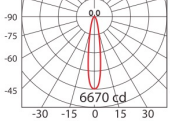
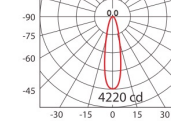
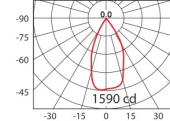


CEILING LIGHTS

COLOR : WU BK SY

<p>DL-871</p> 	<p>III  </p> <p>Cut out : 90x90mm</p>  
<p>DL-872</p> 	<p>III  </p> <p>Cut out : 190x90mm</p>  
<p>DL-873</p> 	<p>III  </p> <p>Cut out : 270x90mm</p>  

LAMP HOLDERS

 <p>HD-77 (MD-A35) (500lm)</p> <p>ErP Class A</p> <p>CoB 500lm 350mA WW 25°</p>  <table border="1"> <thead> <tr> <th>H(m)</th> <th>D(m)</th> <th>E(lx)</th> </tr> </thead> <tbody> <tr><td>1.0</td><td>0.4</td><td>1030</td></tr> <tr><td>2.0</td><td>0.9</td><td>258</td></tr> <tr><td>3.0</td><td>1.3</td><td>114</td></tr> </tbody> </table> <p>CoB 500lm 350mA WW 40°</p>  <table border="1"> <thead> <tr> <th>H(m)</th> <th>D(m)</th> <th>E(lx)</th> </tr> </thead> <tbody> <tr><td>1.0</td><td>0.7</td><td>860</td></tr> <tr><td>2.0</td><td>1.5</td><td>215</td></tr> <tr><td>3.0</td><td>2.2</td><td>96</td></tr> </tbody> </table>	H(m)	D(m)	E(lx)	1.0	0.4	1030	2.0	0.9	258	3.0	1.3	114	H(m)	D(m)	E(lx)	1.0	0.7	860	2.0	1.5	215	3.0	2.2	96	 <p>HD-77 (MD-B001) (800lm)</p> <p>ErP Class A</p> <p>CoB 800lm 500mA WW 25°</p>  <table border="1"> <thead> <tr> <th>H(m)</th> <th>D(m)</th> <th>E(lx)</th> </tr> </thead> <tbody> <tr><td>1.0</td><td>0.4</td><td>1460</td></tr> <tr><td>2.0</td><td>0.9</td><td>365</td></tr> <tr><td>3.0</td><td>1.3</td><td>162</td></tr> </tbody> </table> <p>CoB 800lm 500mA WW 40°</p>  <table border="1"> <thead> <tr> <th>H(m)</th> <th>D(m)</th> <th>E(lx)</th> </tr> </thead> <tbody> <tr><td>1.0</td><td>0.7</td><td>1160</td></tr> <tr><td>2.0</td><td>1.5</td><td>290</td></tr> <tr><td>3.0</td><td>2.2</td><td>129</td></tr> </tbody> </table>	H(m)	D(m)	E(lx)	1.0	0.4	1460	2.0	0.9	365	3.0	1.3	162	H(m)	D(m)	E(lx)	1.0	0.7	1160	2.0	1.5	290	3.0	2.2	129
H(m)	D(m)	E(lx)																																															
1.0	0.4	1030																																															
2.0	0.9	258																																															
3.0	1.3	114																																															
H(m)	D(m)	E(lx)																																															
1.0	0.7	860																																															
2.0	1.5	215																																															
3.0	2.2	96																																															
H(m)	D(m)	E(lx)																																															
1.0	0.4	1460																																															
2.0	0.9	365																																															
3.0	1.3	162																																															
H(m)	D(m)	E(lx)																																															
1.0	0.7	1160																																															
2.0	1.5	290																																															
3.0	2.2	129																																															
 <p>HA-770C (1300lm)</p> <p>ErP Class A</p> <p>CoB 1300lm 350mA WW 10°</p>  <table border="1"> <thead> <tr> <th>H(m)</th> <th>D(m)</th> <th>E(lx)</th> </tr> </thead> <tbody> <tr><td>1.0</td><td>0.2</td><td>6670</td></tr> <tr><td>2.0</td><td>0.3</td><td>1668</td></tr> <tr><td>3.0</td><td>0.5</td><td>741</td></tr> </tbody> </table> <p>CoB 1300lm 350mA WW 20°</p>  <table border="1"> <thead> <tr> <th>H(m)</th> <th>D(m)</th> <th>E(lx)</th> </tr> </thead> <tbody> <tr><td>1.0</td><td>0.4</td><td>4220</td></tr> <tr><td>2.0</td><td>0.7</td><td>1055</td></tr> <tr><td>3.0</td><td>1.1</td><td>469</td></tr> </tbody> </table> <p>CoB 1300lm 350mA WW 50°</p>  <table border="1"> <thead> <tr> <th>H(m)</th> <th>D(m)</th> <th>E(lx)</th> </tr> </thead> <tbody> <tr><td>1.0</td><td>0.9</td><td>1590</td></tr> <tr><td>2.0</td><td>1.9</td><td>398</td></tr> <tr><td>3.0</td><td>2.8</td><td>177</td></tr> </tbody> </table>	H(m)	D(m)	E(lx)	1.0	0.2	6670	2.0	0.3	1668	3.0	0.5	741	H(m)	D(m)	E(lx)	1.0	0.4	4220	2.0	0.7	1055	3.0	1.1	469	H(m)	D(m)	E(lx)	1.0	0.9	1590	2.0	1.9	398	3.0	2.8	177													
H(m)	D(m)	E(lx)																																															
1.0	0.2	6670																																															
2.0	0.3	1668																																															
3.0	0.5	741																																															
H(m)	D(m)	E(lx)																																															
1.0	0.4	4220																																															
2.0	0.7	1055																																															
3.0	1.1	469																																															
H(m)	D(m)	E(lx)																																															
1.0	0.9	1590																																															
2.0	1.9	398																																															
3.0	2.8	177																																															