
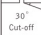


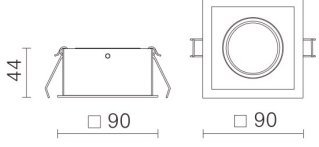



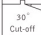

CEILING LIGHTS

COLOR : WU BK SY


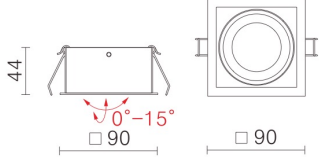
DL-802SN    Halogen MR-16, GU-10 or GZ-10 or LED retrofit lamp available

Cut out : 86x86mm





DL-802SD    Halogen MR-16, GU-10 or GZ-10 or LED retrofit lamp available

Cut out : 86x86mm

REPLACE HALOGEN LAMP WITH LED LIGHT SOURCE, ERP CLASS WILL UP TO A.




MD-A35
(500lm)

ErP Class **A**

H(m)	D(m)	E(lx)
1.0	0.4	1030
2.0	0.9	258
3.0	1.3	114

CoB 500lm 350mA WW 25°
1030 cd




MD-B001
(800lm)

ErP Class **A**

H(m)	D(m)	E(lx)
1.0	0.7	860
2.0	1.5	215
3.0	2.2	96

CoB 500lm 350mA WW 40°
860 cd




MD-D001
(700lm)

ErP Class **A**

H(m)	D(m)	E(lx)
1.0	0.3	3320
2.0	0.5	830
3.0	0.8	369

CoB 700lm 450mA WW 15°
3320 cd




MD-B001
(800lm)

ErP Class **A**

H(m)	D(m)	E(lx)
1.0	0.4	1460
2.0	0.9	365
3.0	1.3	162

CoB 800lm 500mA WW 25°
1460 cd




MD-D001
(700lm)

ErP Class **A**

H(m)	D(m)	E(lx)
1.0	0.4	2270
2.0	0.9	568
3.0	1.3	252

CoB 700lm 450mA WW 24°
2270 cd



MD-B001
(800lm)

ErP Class **A**

H(m)	D(m)	E(lx)
1.0	0.6	1310
2.0	1.3	328
3.0	1.9	146

CoB 800lm 500mA WW 40°
1160 cd