


CEILING LIGHTS


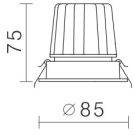
COLOR : WU BK SY LED COLOR : WW NW

DG-911C  **IP44** **500** **20°** **Cut-off** **IP44 on the front.**

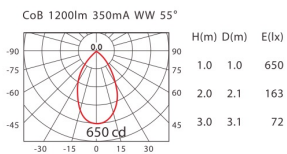
LED
SHARP CoB

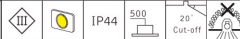
POWER
13W (350mA, 37V)

ErP Class
A **1200lm**

Cut out : $\varnothing 75$


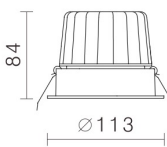


DG-912C  **IP44** **500** **20°** **Cut-off** **IP44 on the front.**

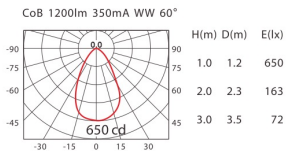
LED
SHARP CoB

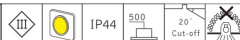
POWER
13W (350mA, 37V)

ErP Class
A **1200lm**

Cut out : $\varnothing 100$


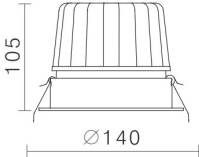


DG-913C  **IP44** **500** **20°** **Cut-off** **IP44 on the front.**

LED
CITIZEN CoB

POWER
*18W(500mA)
*2500lm for standard application

ErP Class
A **1700lm**
***2500lm**

Cut out : $\varnothing 125$

