


CEILING LIGHTS

COLOR : WU BK SY LED COLOR : WW NW

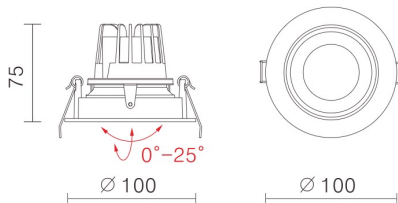
DA-537C



ErP Class **A**

1300lm

Cut out : $\varnothing 90$



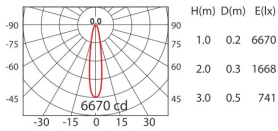
LED

SHARP CoB

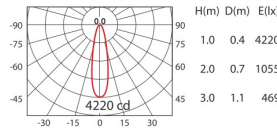
POWER

13W (350mA, 37V)

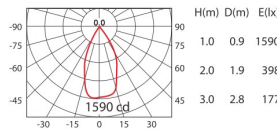
CoB 1300lm 350mA WW 10°




CoB 1300lm 350mA WW 20°



CoB 1300lm 350mA WW 50°



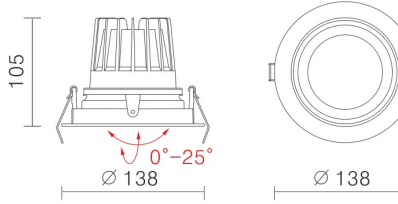
DA-535C



ErP Class **A**

1800lm
*3100lm

Cut out : $\varnothing 125$



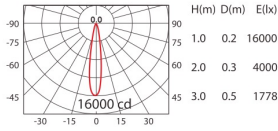
LED

CITIZEN CoB

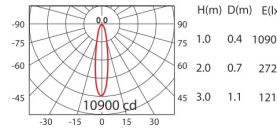
POWER

*25.5W(700mA,36V)
*3100lm for standard application

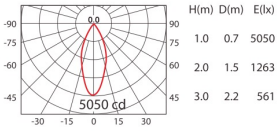
CoB 3100lm 700mA WW 10°



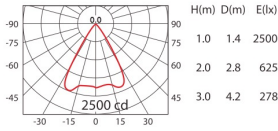
CoB 3100lm 700mA WW 20°




CoB 3100lm 700mA WW 40°



CoB 3100lm 700mA WW 70°



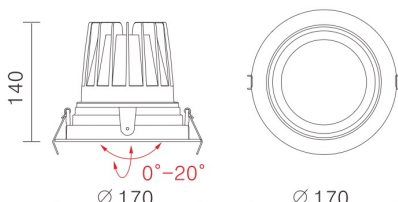
DA-532C



ErP Class **A**

3800lm
*4700lm

Cut out : $\varnothing 150$



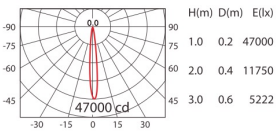
LED

CITIZEN CoB

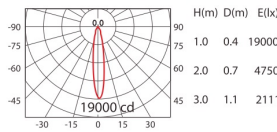
POWER

*38W(1050mA,36V)
*4700lm for standard application

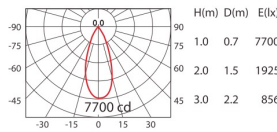
CoB 4700lm 1050mA WW 12°



CoB 4700lm 1050mA WW 20°



CoB 4700lm 1050mA WW 40°



CoB 4700lm 1050mA WW 70°

