


# WALL LIGHTS

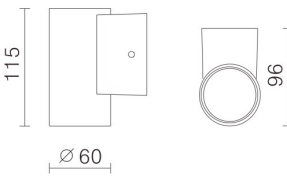
COLOR : WU  BJ  SV  LED COLOR : WW  NW

**BA-111R**



ErP Class **A**

800lm



**LED**

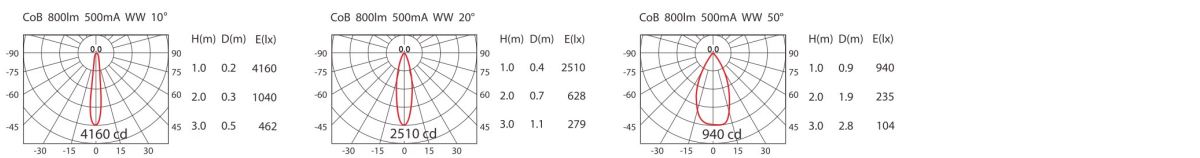
SHARP CoB

**POWER**


7.5W (500mA, 15V)

**INPUT**

AC 100 - 240V

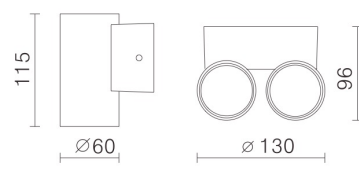


**BA-122R**



ErP Class **A**

800lmX2



**LED**

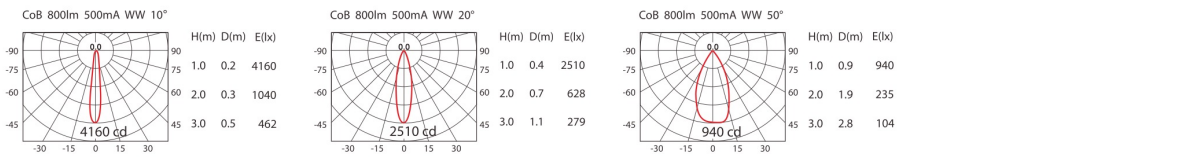
SHARP CoB

**POWER**


7.5W (500mA, 15V)x2

**INPUT**

AC 100 - 240V

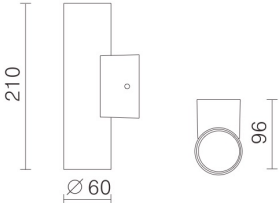


**BA-112R**



ErP Class **A**

800lmX2



**LED**

SHARP CoB

**POWER**

7.5W (500mA, 15V)x2

**INPUT**

AC 120 - 240V

