



LED LIGHT

Various COB LED wattage/lumen

Eco-friendly LED technology

Precise Optical design

TRACK AND TRACK LIGHTS



HSP-370B/HT-303

HSP-370C/HT-303

■ Features

- Graceful and elegant body design .
- Good for GU-10 led retro-fit lamp
- 355° rotation and 90° tilt angle to maximize the light angle.

■ Application

Indoor track light good for shop, hotel and home lighting.

KIT PACKAGE

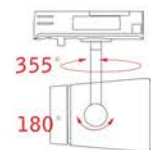


If you interesting about kit package, please contact us

ROTATE & TILT

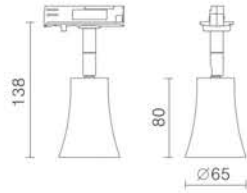


HSP-370B
HSP-370C



HSP-3700B

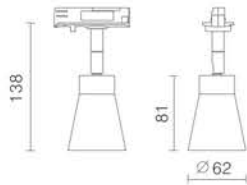
TRACK AND TRACK LIGHTS



HSP-370B/HT-303

LAMP	POWER	LIGHT COLOR	COLOR
GU10 LED	AC 220-240V	WW	Wk ■ BJ

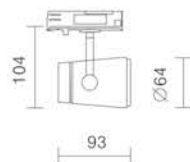
Housing: steel, paint.



HSP-370C/HT-303

LAMP	POWER	LIGHT COLOR	COLOR
GU10 LED	AC 220-240V	WW	Wk ■ BJ

Housing: steel, paint.



HSP-3700B(GU-10)/HT-303

LAMP	POWER	LIGHT COLOR	COLOR
GU10 LED	AC 220-240V	WW	WU ■ BK □ SY

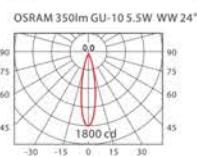
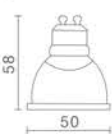
Housing: aluminium.



AVAILABLE LIGHT SOURCE



POWER	LIGHT COLOR
5.5W	WW



TRACK AND TRACK LIGHTS



Hyper Energy Saving

CoB: 1700lm@18.5W(500mA)
3100lm@25.5W(700mA)
3800lm@34W(900mA)
4700lm@38W(1050mA)

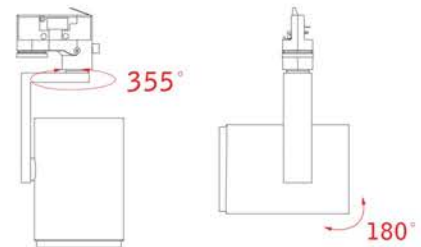
Hyper Long Lifespan

CoB: 50,000 hours
Low Maintenance Cost

SA-8530/HT4-413B

■ Features

- Eco-friendly CoB chip with the energy saving and low maintenance cost.
- Clean bracket with internal wiring, 355° rotate and 180° tilt.
- Different angles reflector for customer to choose in different applications.
- Transparent glass on the front to protect the CoB chip and easy clean for customer.
- With honey comb and accessories available for customer to choose.
- Anti-dazzle front cover creates visual comfort.
- Driver built-in for customer easy to install.
- No UV radiation..



■ Application

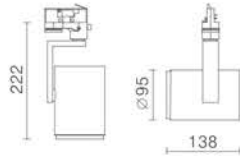
Neat and clean luminaire design with uniform light distribution is perfect for highlighting artworks and exhibitions, art galleries, showrooms, stores, and other commercial applications.

TRACK AND TRACK LIGHTS

COLOR: WK BJ LED COLOR : WW NW



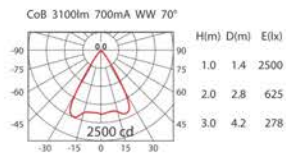
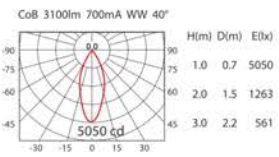
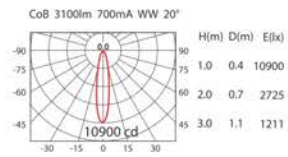
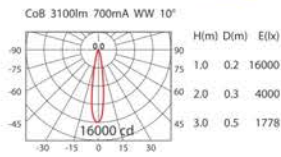
1700lm
*3100lm



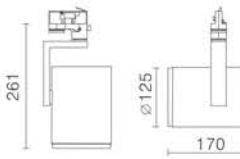
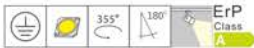
SA-8530/HT4-413B

CoB	POWER	LED COLOR	COLOR
CITIZEN	25.5W(700mA,36V) AC 120-240V	<input checked="" type="checkbox"/> WW <input type="checkbox"/> NW	<input type="checkbox"/> WK <input checked="" type="checkbox"/> BJ

Light head: aluminum, paint, 0-180 tilt on bracket.
Bracket: steel, 355 rotate.
Reflector: pure aluminium layer, mirror-finish anodized.



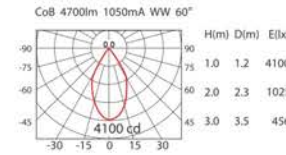
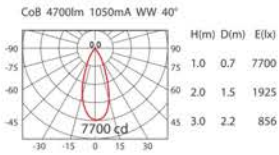
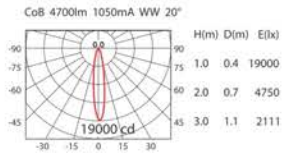
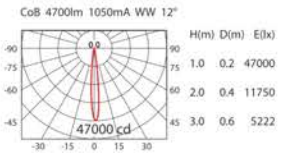
3800lm
*4700lm



SA-8230/HT4-413B

CoB	POWER	LED COLOR	COLOR
CITIZEN	38W(1050mA, 36V) AC 220-240V	<input checked="" type="checkbox"/> WW <input type="checkbox"/> NW	<input type="checkbox"/> WK <input checked="" type="checkbox"/> BJ

Light head: aluminum, paint, 0-180 tilt on bracket.
Bracket: steel, 355 rotate.
Reflector: pure aluminium layer, mirror-finish anodized.



ACCESSORIES

			
	Honeycomb	Sculptured Glass	Matte Glass
SA-8530	DL-75-AC2	AC-350D	AC-350E
SA-8230	DL-7-AC2	AC-320D	AC-320E

Honeycomb
For SA-8530
Ø72mm, H: 11mm
For SA-8230
Ø106mm, H: 13mm

Sculptured Glass and Matte Glass:
For SA-8530
Ø78mm, H: 3mm
For SA-8230
Ø108.5mm, H: 3mm



SA-2800/HT-303B

Hyper Energy Saving

CoB: 500lm@5.3W (350mA)
800lm@7.5W (500mA)

Hyper Long Lifespan

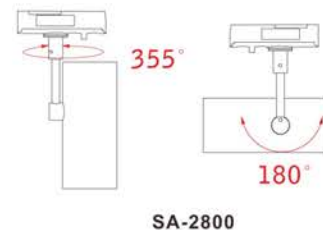
CoB: 40,000 hours
Low Maintenance Cost

■ Features

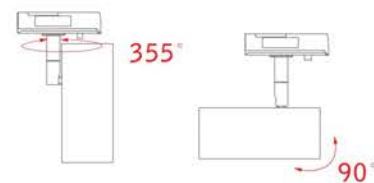
- SA-2800 is with a mini-size and elegant design and sufficient lumen to replace halogen lamp light.
- Eco-friendly CoB chip is with high energy saving and low maintenance cost.
- Clean bracket with internal wiring, 355° rotate and 180° tilt.
- Reflector in different angles ready for customer to choose in different applications.
- Transparent glass on the front to protect the CoB chip and easy clean for customer.
- Two bracket design for customer to choose.
- Anti-dazzled, deep front ring for visual comfort.
- Driver built-in, easy for installation.
- No UV radiation.

■ Application

Precise light distribution is not only perfect for highlighting artworks and exhibitions, but also good for home spot lighting.



SA-2800



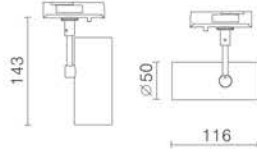
SA-2801

TRACK AND TRACK LIGHTS

COLOR: WK BJ LED COLOR : WW NW



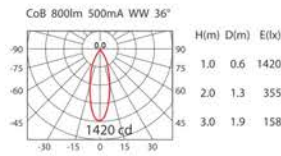
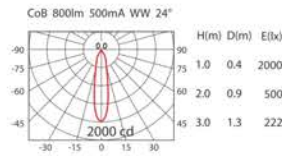
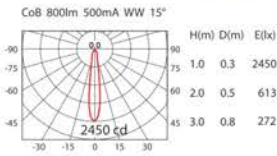
500lm
*800lm



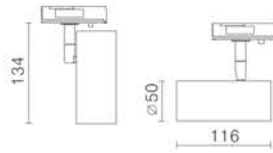
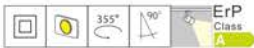
SA-2800/HT-303B

CoB	POWER	LED COLOR	COLOR
SHARP	7.5W(500mA, 15V) AC 100-240V	<input checked="" type="checkbox"/> WW <input type="checkbox"/> NW	<input type="checkbox"/> WK <input checked="" type="checkbox"/> BJ

Light head: aluminum, paint, 0-180 tilt on bracket.
Bracket: steel, 355 rotate.
Reflector: pure aluminum layer, mirror-finish anodized.



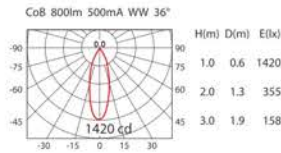
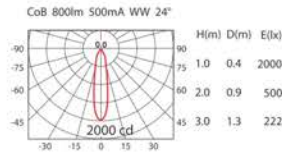
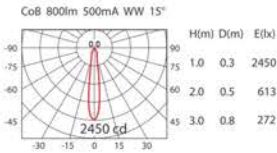
500lm
*800lm



SA-2801/HT-303

CoB	POWER	LED COLOR	COLOR
SHARP	7.5W(500mA, 15V) AC 100-240V	<input checked="" type="checkbox"/> WW <input type="checkbox"/> NW	<input type="checkbox"/> WK <input checked="" type="checkbox"/> BJ

Light head: aluminum, paint, 0-90 tilt on bracket.
Bracket: steel, 355 rotate.
Reflector: pure aluminum layer, mirror-finish anodized.





WA-294E

Hyper Energy Saving

CoB: 700lm@5.3W (350mA)
1000lm@7.5W (500mA)

Hyper Long Lifespan

CoB: 40,000 hours
Low Maintenance Cost

■ Features

- Economic design with Stylish clean out looking.
- WA-294 series is good to replace the halogen ceiling mounting spot light.
- High quality light performance without track system, very good for budget-oriented project.
- Eco-friendly CoB technology with energy saving and low maintenance cost.
- Easy to change different beam-angle reflector.
- With PC cover on the front to protect CoB chip, easy for cleaning.
- No-UV radiation
- Reliable thermal solution to guarantee long life span.

Dimming version available in this series, please contact your sales representative.

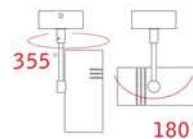
■ Application

Precise light distribution is perfect for highlighting artworks and exhibitions, art galleries, showrooms, stores, and other commercial applications.

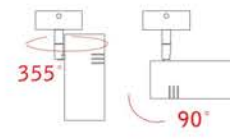
WA-294E BRACKET IN THE MIDDLE



ROTATE & TILT



WA-294D



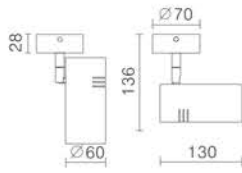
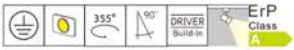
WA-294E

CEILING LIGHTS

COLOR : WU BK SV LED COLOR : WW NW



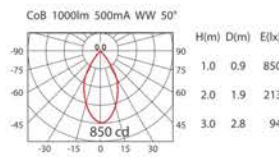
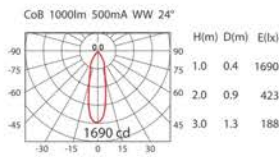
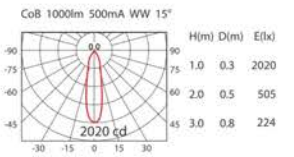
700lm
*1000lm



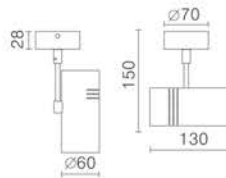
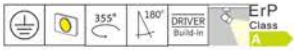
WA-294E

CoB	POWER	LED COLOR	COLOR
SHARP	7.5W(500mA, 15V) AC 100-240V	WW NW	WU BK SV

Housing: aluminium, paint.
Transformer housing: paint.
Bracket: steel, paint.



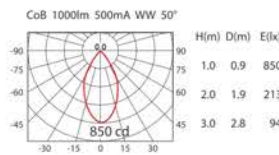
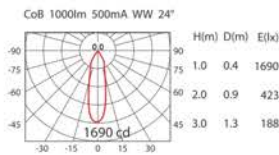
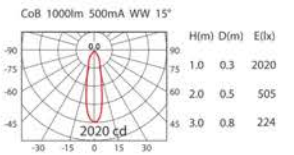
700lm
*1000lm



WA-294D

CoB	POWER	LED COLOR	COLOR
SHARP	7.5W(500mA, 15V) AC 100-240V	WW NW	WU BK SV

Housing: aluminium, paint.
Transformer housing: paint.
Bracket: steel, paint.



SA-294C-V, DA-294, WA-294



Features

- Economic design with Stylish appearance.
- Lumen output of SA-294C series is good to replace the halogen spot light.
- With different mounting solutions, track light, recessed light and surface mounting light, to meet different requests.
- Eco-friendly CoB technology with energy saving and low maintenance cost.
- Easy to change different beam-angle reflector.
- With PC cover on the front to protect CoB chip, easy for cleaning.
- No-UV radiation.
- Reliable thermal solution to guarantee long life span.
- SA-294C-V is with Triac dimming function.

Application

Spot light for restaurants, cafes, bars and shops.

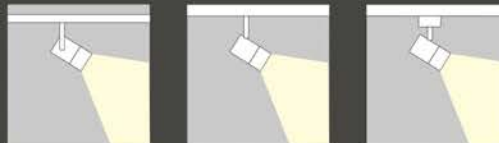
FUNCTION

LIGHT HEAD

0° - 180° tilt on the bracket, anti-dazzle design.

BRACKET

Rotatable 355°, internal wiring.



MATERIAL


LIGHT HEAD

Aluminium, paint.

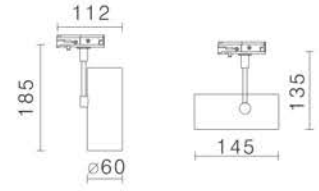
BRACKET

Steel, paint.

SA-294C-V/HT-303B



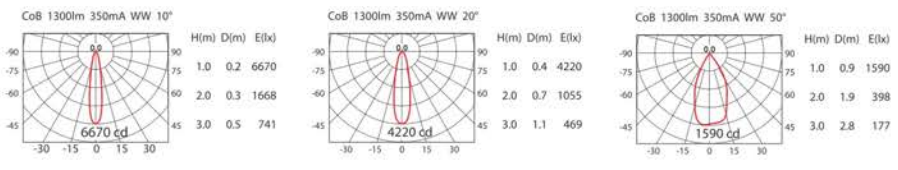
ErP Class **A** 1300lm




LED
SHARP CoB

POWER
13W(350mA, 37V)

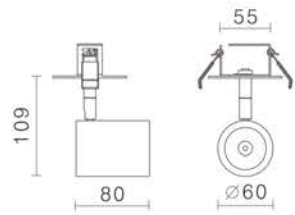
INPUT
AC 220-240V
Triac Dimming function available in SA-294C-V.



DA-294C



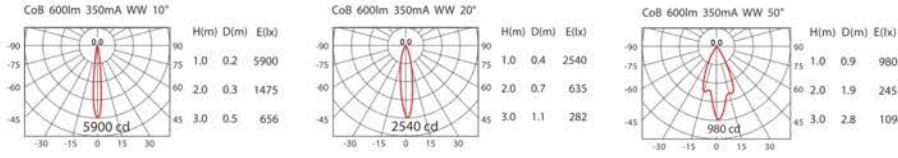
ErP Class **A** 600lm




LED / Pieces
CREE CoB

POWER
7.5W(350mA, 21V)

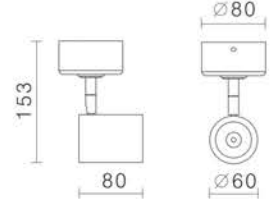
INPUT
AC 100-240V



WA-294C



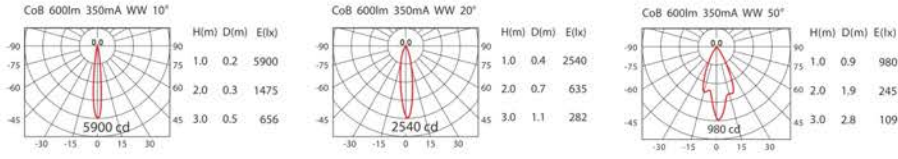
ErP Class **A** 600lm



LED / Pieces
CREE CoB

POWER
7.5W(350mA, 21V)

INPUT
AC 100-240V



TRACK AND TRACK LIGHTS

1-circuit

3-circuit



Features

- Eco-friendly CoB chip with the energy saving and low maintenance cost.
- Clean bracket with internal wiring, 355° rotate and 180° tilt.
- Different angles reflector for customer to choose in different applications.
- Transparent glass on the front to protect the CoB chip and easy clean for customer.
- Anti-dazzle front cover creates visual comfort.
- Reliable passive thermal management guarantees a long lifespan.
- Compact luminaire design to prevent the light emitting from backward.
- Driver built-in standard Gear box, easy for customer to install.
- Built-in Driver: dimming available.
- No UV radiation.

Application

Precise light distribution is perfect for highlighting artworks and exhibitions, art galleries, showrooms, stores, and other commercial applications.

FUNCTION

LIGHT HEAD

0°- 180° tilt on the bracket, anti-dazzle design.

BRACKET

Rotatable 355°, internal wiring.

MATERIAL

LIGHT HEAD

Aluminium, paint.

BRACKET

Zinc alloy, paint.

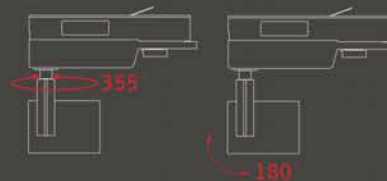
REFLECTOR

Pure aluminium layer 99.9%, mirror-finish anodized.

1-CIRCUIT OR 3-CIRCUIT ADAPTER

Plastic.

ROTATE & TILT



TRACK AND TRACK LIGHTS

COLOR : WU BK SV LED COLOR : WW NW

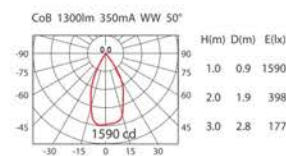
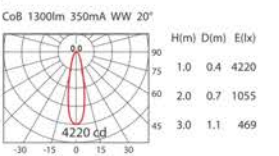
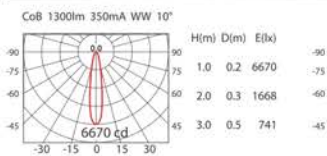


SA-8701S/HT4-22JK
(1300lm)

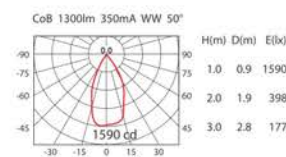
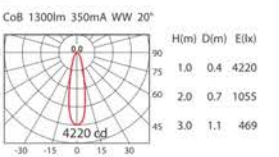
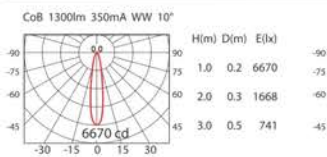


SA-8700S/HT-303B
(800lm)
(*1300lm)

SA-8701S/HT4-22JK		
<p>1300lm</p>		



SA-8700S/HT-303B		
<p>800lm *1300lm</p>		



TRACK AND TRACK LIGHTS



SA-8711/HT4-22JK
(1300lm)

SA-8710/HT4-22JK
(1300lm)

SA-8510/HT4-BA35S
(3100lm)

BRACKET IN THE MIDDLE



ACCESSORIES

						
SA-8710	AC-8700A	AC-8700C	AC-8700D	AC-8700E	AC-8700F+AC-8700B	
SA-8510	AC-8500A	AC-8500C	AC-8500D	AC-8500E	AC-8500F+AC-8500B	

Honeycomb

AC-8700C Ø53mm, H: 3mm
AC-8500C Ø85mm, H: 3mm

Sculptured Lens and Matte Glass:

AC-8700D / AC-8700E Ø55mm, H: 3mm
AC-8500D / AC-8500E Ø87mm, H: 3mm


Front ring Spec

Model	Types of Ring			
	Standard	Optional Ring (Type A)	Barndoor Ring (Type B)	
SA-8710, Ø60mm	H: 30mm	H: 30mm	H: 22mm	
SA-8510, Ø90mm	H: 53mm	H: 53mm	H: 23mm	

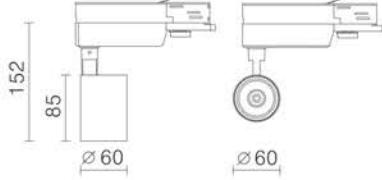
TRACK AND TRACK LIGHTS

COLOR : WU BK SV LED COLOR : WW NW

SA-8711/HT4-22JK



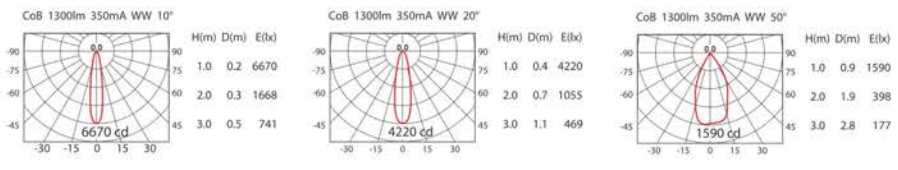
ErP Class **A** 1300lm




LED
SHARP CoB

POWER
13W (350mA, 37V)

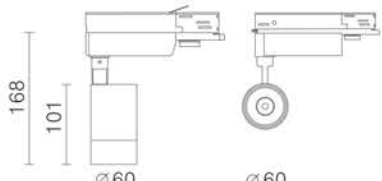
INPUT
AC 220 - 240V



SA-8710/HT4-22JK



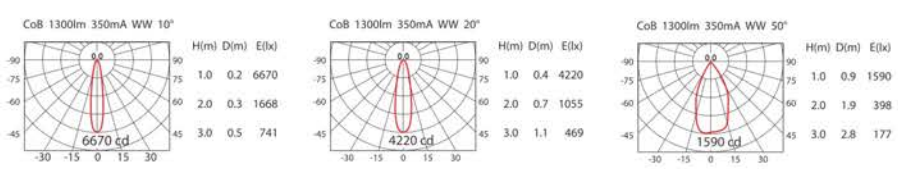
ErP Class **A** 1300lm




LED
SHARP CoB

POWER
13W (350mA, 37V)

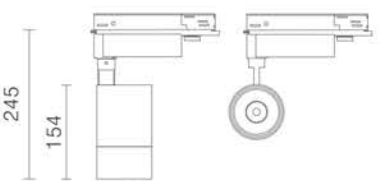
INPUT
AC 220 - 240V



SA-8510/HT4-BA35S



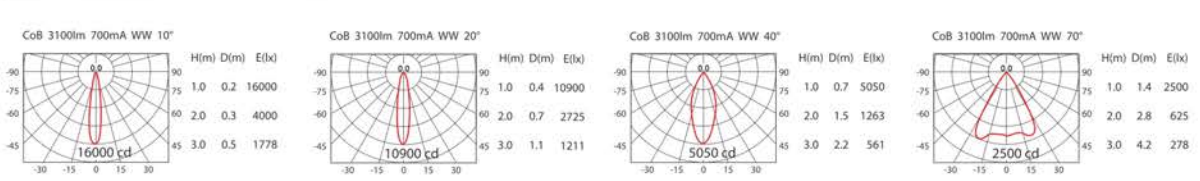
ErP Class **A** 3100lm



LED
CITIZEN CoB

POWER
25.5W(700mA, 36V)

INPUT
AC 220 - 240V



TRACK AND TRACK LIGHTS



SA-8700/HT4-22JK
(1300lm)

SA-8500/HT4-BA35S
(1700lm)
(*3100lm)

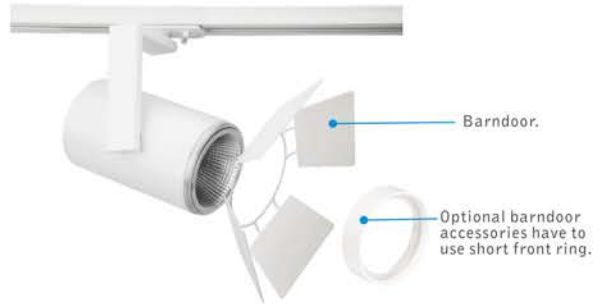
SA-8200/HT4-BA70S
(3800lm)
(*4700lm)

SA-8700/HT-303B
(800lm)
(*1300lm)




SA-8500/HT-303B
(1800lm)
(*3100lm)

SA-8200/HT-303B
(3800lm)

NEW BRACKET & PURE ALUMINIUM REFLECTOR



ACCESSORIES

	 Optional Ring	 Honeycomb	 Sculptured glass	 Matte Glass	 Barndoor Barndoor Ring NEW
SA-8700	AC-8700A	AC-8700C	AC-8700D	AC-8700E	AC-8700F+AC-8700B
SA-8500	AC-8500A	AC-8500C	AC-8500D	AC-8500E	AC-8500F+AC-8500B
SA-8200	AC-8200A	AC-8200C	AC-8200D	AC-8200E	AC-8200F+AC-8200B

Honeycomb

AC-8700C Ø53mm, H: 3mm
AC-8500C Ø85mm, H: 3mm
AC-8200C Ø108mm, H: 3mm

Sculptured Glass and Matte Glass:

AC-8700D / AC-8700E Ø55mm, H: 3mm
AC-8500D / AC-8500E Ø87mm, H: 3mm
AC-8200D / AC-8200E Ø111mm, H: 3mm


Front ring Spec

Model	Types of Ring			
	Standard	Optional Ring (Type A)	Barndoor Ring (Type B)	
SA-8700, Ø60mm	H: 30mm	H: 30mm	H: 22mm	
SA-8500, Ø90mm	H: 53mm	H: 53mm	H: 23mm	
SA-8200, Ø118mm	H: 57mm	H: 57mm	H: 31mm	

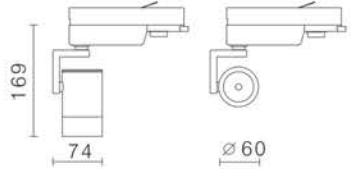
TRACK AND TRACK LIGHTS

COLOR : WU BK SV LED COLOR : WW NW

SA-8700/HT4-22JK



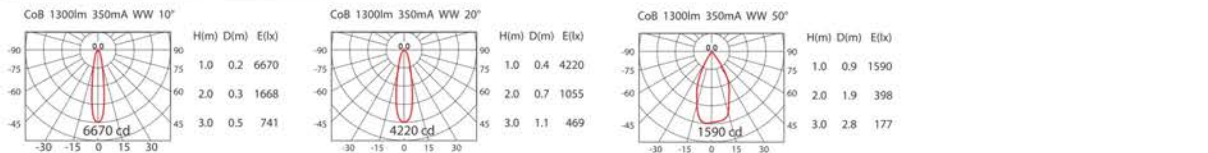
ErP Class A **1300lm**




LED
SHARP CoB

POWER
13W (350mA, 37V)

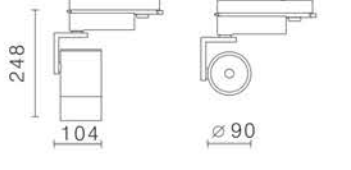
INPUT
AC 220 - 240V



SA-8500/HT4-BA35S



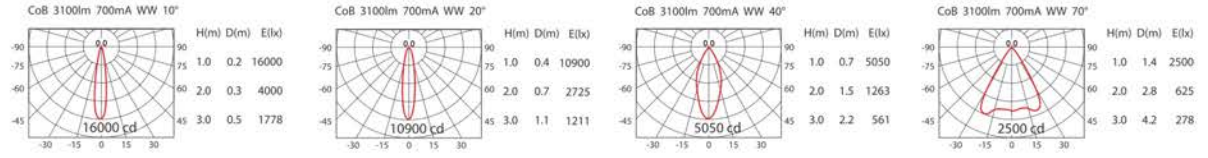
ErP Class A **1700lm**
***3100lm**




LED
CITIZEN CoB

POWER
*25.5W(700mA,36V)
*3100lm for standard application

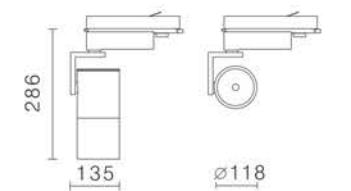
INPUT
AC 220 - 240V



SA-8200/HT4-BA70S



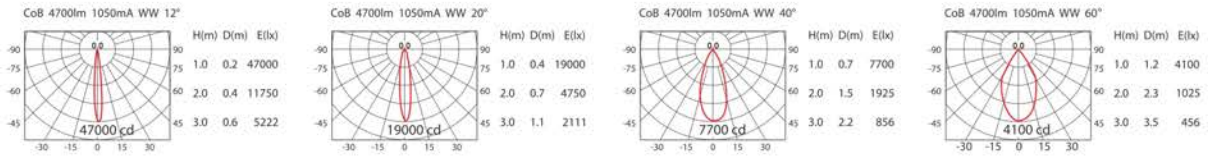
ErP Class A **3800lm**
***4700lm**



LED
CITIZEN CoB

POWER
*38W(1050mA,36V)
*4700lm for standard application


INPUT
AC 100 - 240V



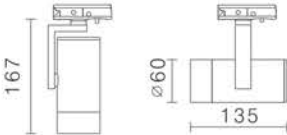
TRACK AND TRACK LIGHTS

COLOR : WU BK SV LED COLOR : WW NW

SA-8700/HT-303B



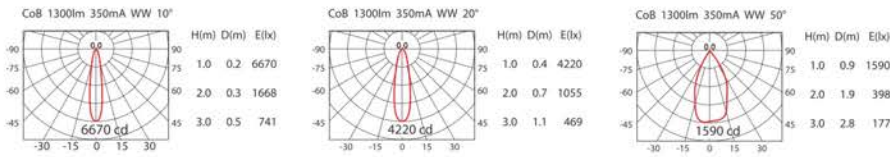
ErP Class **A** 800lm *1300lm




LED
SHARP CoB

POWER
13W (350mA, 37V)
*1300lm for standard application

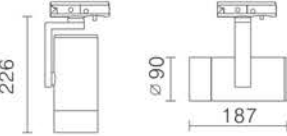
INPUT
AC 100- 240V



SA-8500/HT-303B



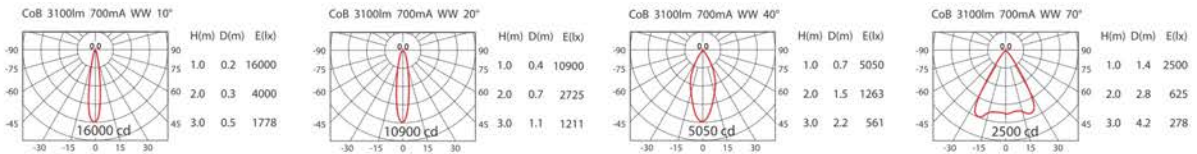
ErP Class **A** 1800lm *3100lm




LED
CITIZEN CoB

POWER
*25.5W(700mA,36V)
*3100lm for standard application


INPUT
AC 220 - 240V



SA-8200/HT-303B



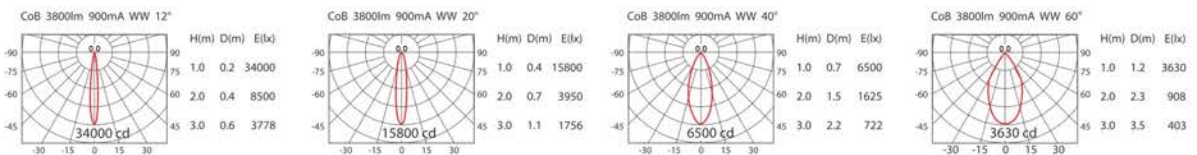
ErP Class **A** 3800lm



LED
CITIZEN CoB

POWER
34W(900mA,37V)

INPUT
AC 220 - 240V



TRACK AND TRACK LIGHTS



SA-370C/HT4-413B
(1300lm)

SA-350C/HT4-413B
(3100lm)

SA-320C/HT4-413B
(3800lm)

SA-310C/HT4-413B
(4700lm)



ACCESSORIES

					
	Plastic Ring	Transparent Ring	Honeycomb	Sculptured Glass	Matte Glass
SA-370C	● Standard	AC-370	DL-77-AC2		AC-370E
SA-350C	● Standard	AC-350	DL-75-AC2	AC-350D	AC-350E
SA-320C	● Standard	AC-320	DL-7-AC2	AC-320D	AC-320E
SA-310C	● Standard	AC-320	DL-7-AC2	AC-320D	AC-320E

Honeycomb

For SA-370C
Ø46mm, H: 11mm

For SA-350C
Ø72mm, H: 11mm

For SA-320C & SA-310C
Ø106mm, H: 13mm

Sculptured Glass and Matte Glass:


For SA-350C
Ø78mm, H: 3mm

For SA-320C & SA-310C
Ø108.5mm, H: 3mm

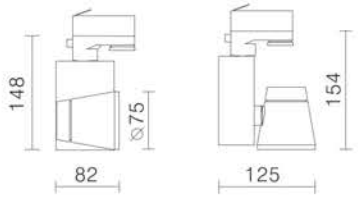
TRACK AND TRACK LIGHTS

COLOR : WU BK SV LED COLOR : WW NW

SA-370C/HT4-413B



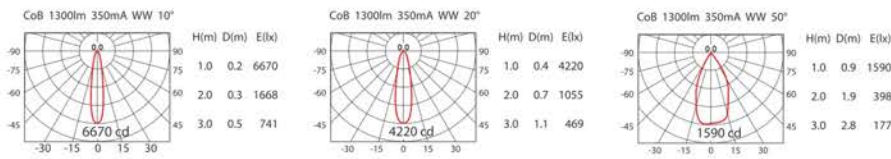
ErP Class **A** 1300lm




LED
SHARP CoB

POWER
13W (350mA, 37V)

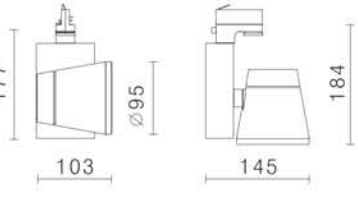
INPUT
AC 220 - 240V



SA-350C/HT4-413B



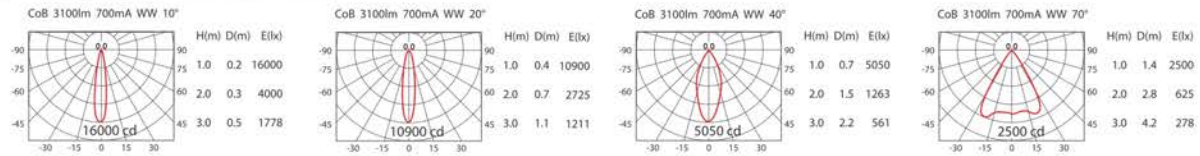
ErP Class **A** 3100lm




LED
CITIZEN CoB

POWER
25.5W(700mA,36V)

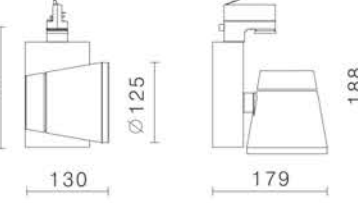
INPUT
AC 220 - 240V



SA-320C/HT4-413B



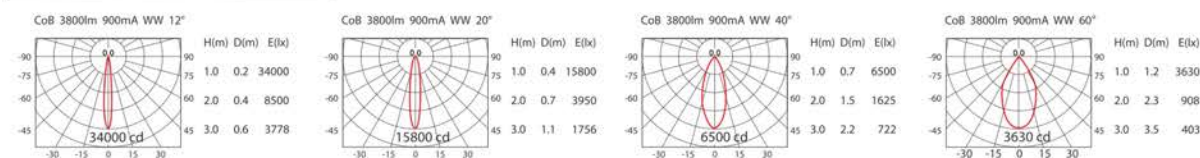
ErP Class **A** 3800lm



LED
CITIZEN CoB

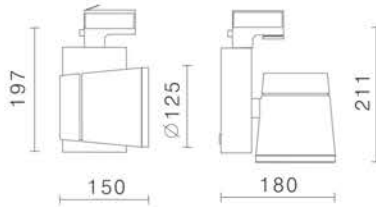
POWER
34W(900mA,37V)

INPUT
AC 220 - 240V



TRACK AND TRACK LIGHTS

COLOR : WU BK SV LED COLOR : WW NW



LED

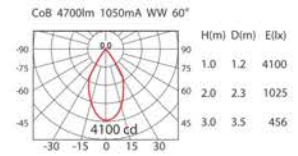
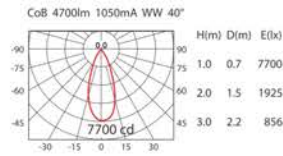
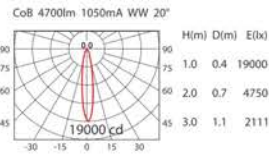
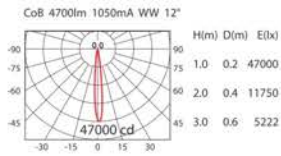
CITIZEN CoB

POWER

38W(1050mA,36V)

INPUT


AC 220- 240V



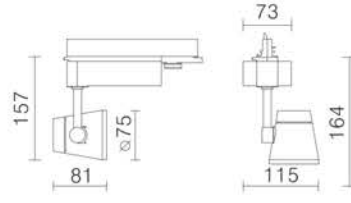
TRACK AND TRACK LIGHTS

COLOR : WU BK SV LED COLOR : WW NW

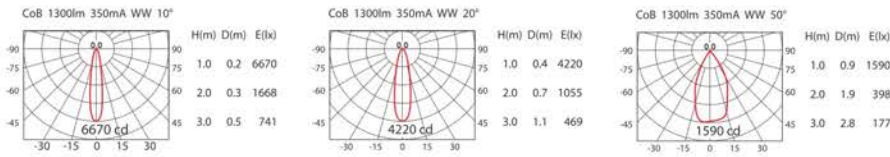
SA-370C/HT4-BA35S




ErP Class **A** 1300lm



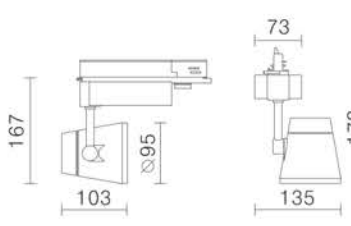
LED	
SHARP CoB	
POWER	
13W (350mA, 37V)	
INPUT	
AC 220 - 240V	



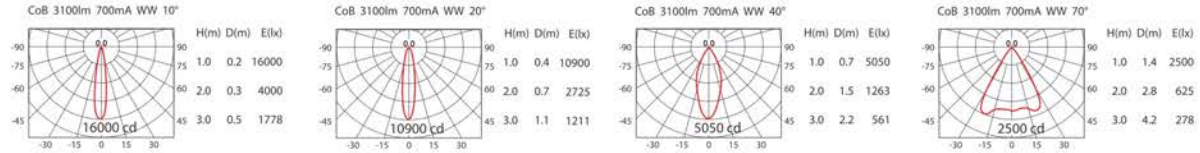
SA-350C/HT4-BA35S




ErP Class **A** 3100lm



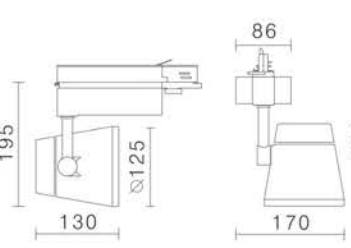
LED	
CITIZEN CoB	
POWER	
25.5W(700mA,36V)	
INPUT	
AC 220 - 240V	



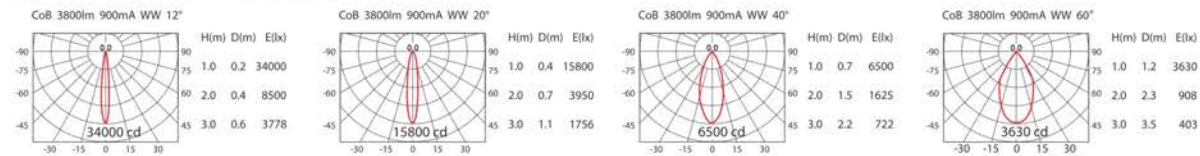
SA-320C/HT4-BA70S



ErP Class **A** 3800lm

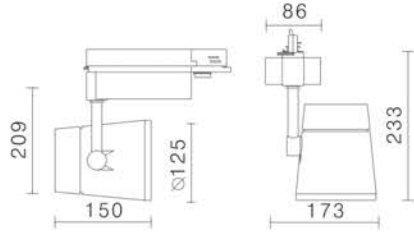


LED	
CITIZEN CoB	
POWER	
34W(900mA,37V)	
INPUT	
AC 220 - 240V	



TRACK AND TRACK LIGHTS

COLOR : WU BK SV LED COLOR : WW NW



LED

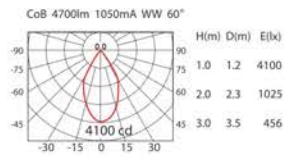
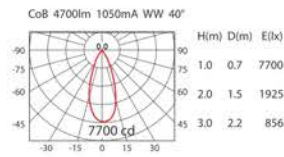
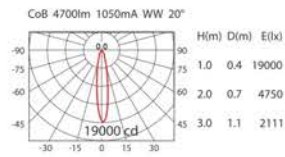
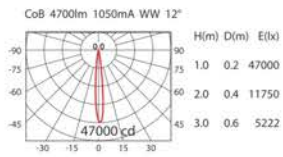
CITIZEN CoB

POWER

38W(1050mA,36V)

INPUT

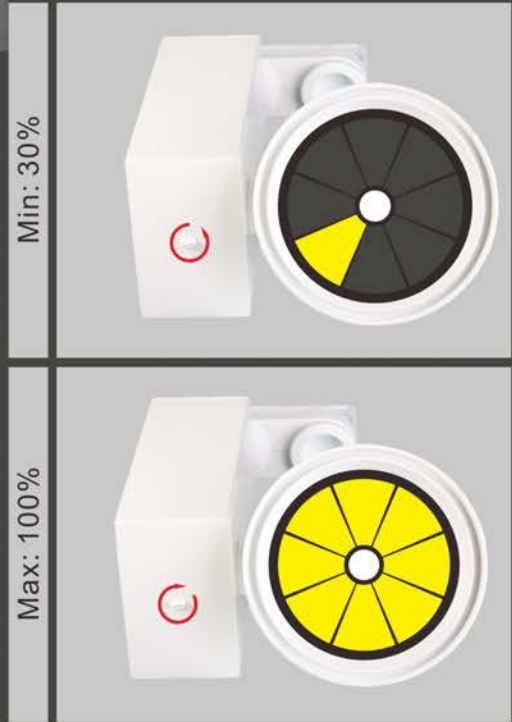
AC 220 - 240V



TRACK AND TRACK LIGHTS

1-circuit

3-circuit

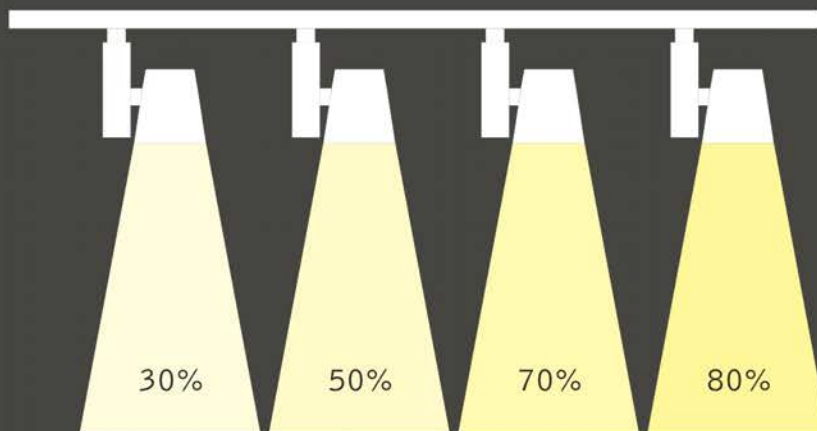


INDIVIDUAL DIMMING BY 1-10V

Dim the light output from 30% to 100%

A controller as the secondary dimming is in the bottom of gear box. With dimming function of 1-10V, customers can easily adjust the light intensity by finger or with a flat screw driver.


SA-350C-V



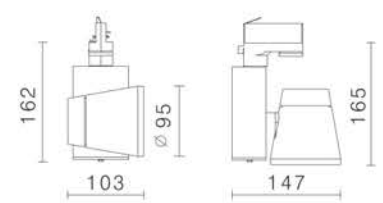
TRACK AND TRACK LIGHTS

COLOR : WU BK SV LED COLOR : WW NW

SA-350C-V/HT4-413B



ErP Class A 2800lm



162, 103, 95, 147, 165

LED

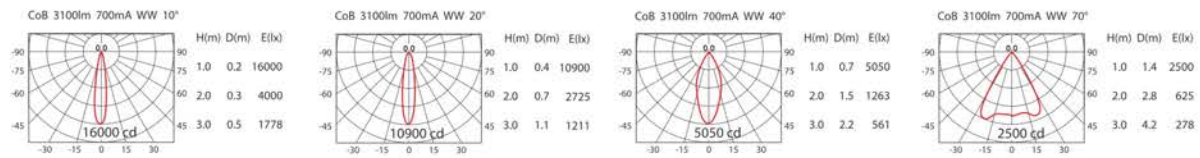
CITIZEN CoB

POWER


25.5W(700mA, 36V)

INPUT

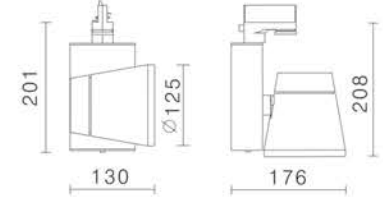
AC 120 - 240V



SA-320C-V/HT4-413B



ErP Class A 3800lm



201, 130, 125, 176, 208

LED

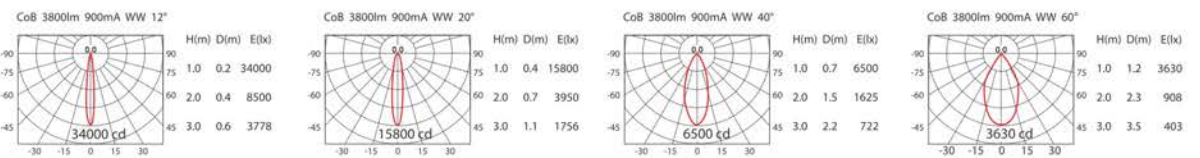
CITIZEN CoB

POWER


34W(900mA, 37V)

INPUT

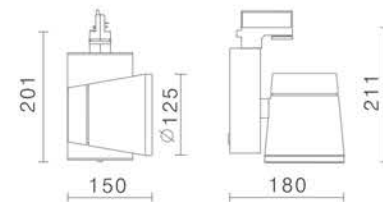
AC 120 - 240V



SA-310C-V/HT4-413B



ErP Class A 4700lm



201, 150, 125, 180, 211

LED

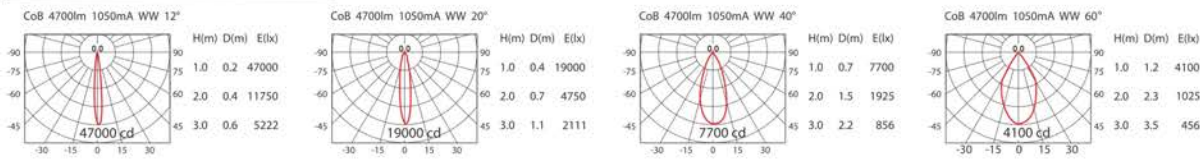
CITIZEN CoB

POWER

38W(1050mA, 36V)

INPUT


AC 120 - 240V



TRACK AND TRACK LIGHTS

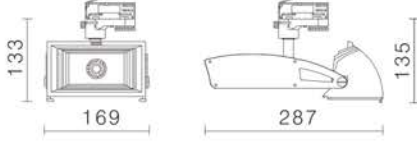
COLOR : WU BK SV LED COLOR : WW NW

SG-302Q/HT4-413B



ErP
Class
A

3100lm
* 3800lm



LED

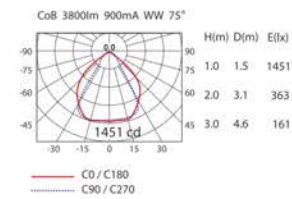
CITIZEN CoB

POWER

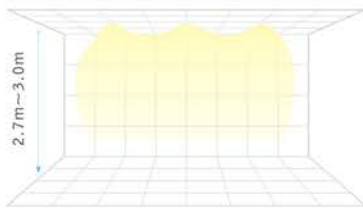
*34W(900mA, 37V)
*3800lm for standard application

INPUT

AC 100-240V



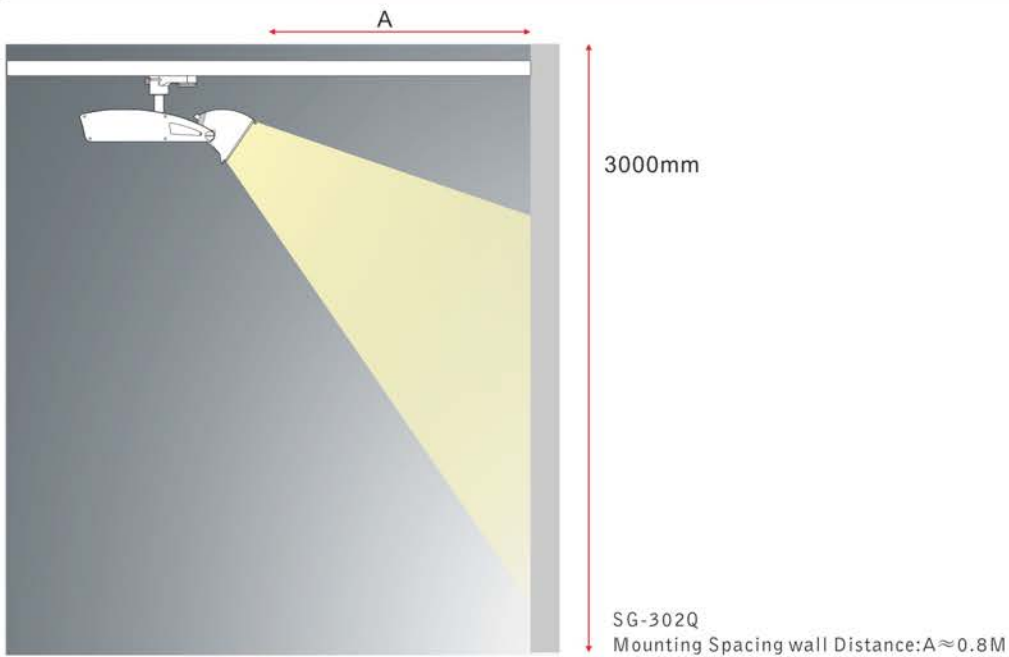
INSTRUCTION



BARDOOR ACCESSORY AVAILABLE



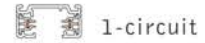
SUGGESTION OF LUMINAIRES INSTALLATION



TRACK AND TRACK LIGHTS



SW-010S/HT4-413B



1-circuit



3-circuit

Hyper Long Lifespan

LED: 50,000 hours
Low Maintenance Cost

Triac Dimming Available

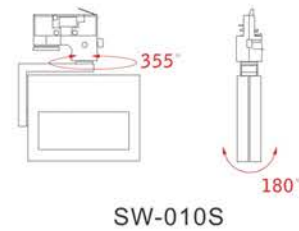
■ Features

- Square track light family equipped with high-tech thermal management solution guarantee long lifetime span.
- Neat and clean bracket with internal wiring provide needed rotating 355° and 180° tilting function (SW-010S), 355° and 90° tilting function (SA-010S).
- Triac-Dimming driver build-in, easy for customer to dim and install.
- SW-010S can provide an wide uniform and square shape wall-washing effect.
- Different beam angle lens available for SA-010S.
- Optical lens/square Reflector create a precise spot and wall washing effect.
- New OSRAM LED is reliable and with high energy saving technology.
- Track adapter can be changed to fit Titan one or three phase track.
- No UV radiation.

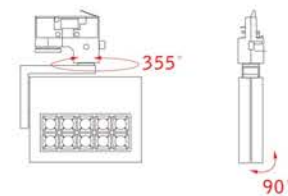
■ Application

Perfect for highlighting artworks in exhibitions, art galleries, showroom, retail store sand other commercial applications.

ROTATE & TILT



SW-010S

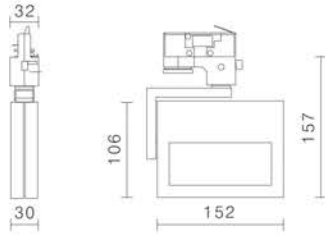


SA-010S



TRACK AND TRACK LIGHTS

COLOR : WU BK SV LED COLOR : WW NW



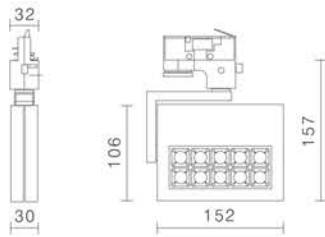
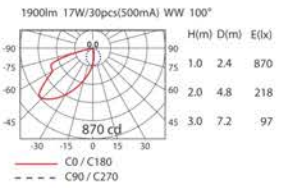
SW-010S/HT4-413B

LED	POWER	LED COLOR	COLOR
OSRAM 30pcs	17W(29~34V, 500mA) AC 220-240V	WW <input type="checkbox"/> NW <input type="checkbox"/>	<input type="checkbox"/> WU <input type="checkbox"/> BK <input type="checkbox"/> SV

Housing: aluminium, paint.



Triac Dimming Available



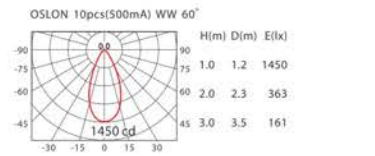
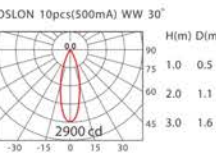
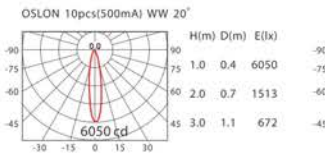
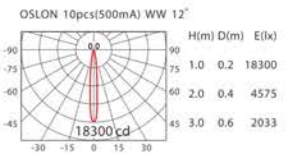
SA-010S/HT4-413B

LED	POWER	LED COLOR	COLOR
OSRAM	1.7Wx10(500mA) AC 220-240V	WW <input type="checkbox"/> NW <input type="checkbox"/>	<input type="checkbox"/> WU <input type="checkbox"/> BK <input type="checkbox"/> SV

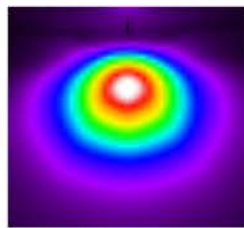
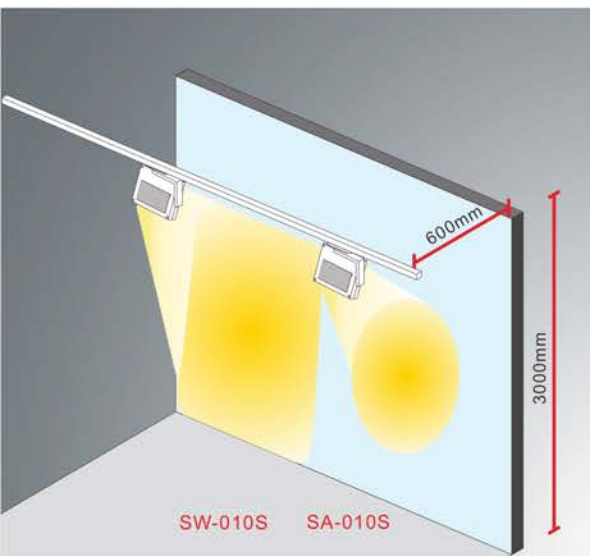
Housing: aluminium, paint.



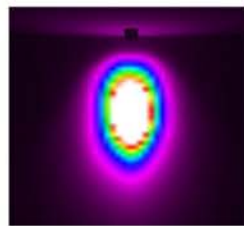
Triac Dimming Available



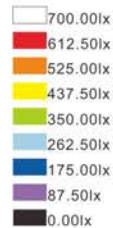
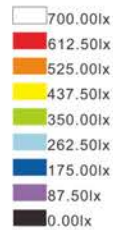
SUGGESTION OF LUMINAIRES INSTALLATION



SW-010S







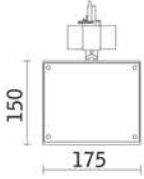
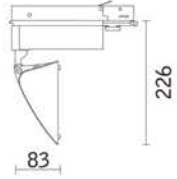
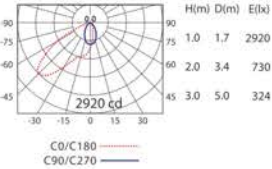


SA-010S



TRACK AND TRACK LIGHTS

COLOR : WU BK SV LED COLOR : WW NW

SH-513C/HT4-BA70S																	
 <p>ErP Class A</p> <p>3800lm</p>					<p>LED</p> <p>CITIZEN CoB</p> <p>POWER</p> <p>34W (900mA, 37V)</p> <p>INPUT</p> <p>AC 220- 240V</p>												
	<p>CoB 3800lm 900mA WW 80°</p>  <table border="1"> <thead> <tr> <th>H(m)</th> <th>D(m)</th> <th>E(lx)</th> </tr> </thead> <tbody> <tr> <td>1.0</td> <td>1.7</td> <td>2920</td> </tr> <tr> <td>2.0</td> <td>3.4</td> <td>730</td> </tr> <tr> <td>3.0</td> <td>5.0</td> <td>324</td> </tr> </tbody> </table> <p>2920 cd</p> <p>C0/C180 C90/C270</p>						H(m)	D(m)	E(lx)	1.0	1.7	2920	2.0	3.4	730	3.0	5.0
H(m)	D(m)	E(lx)															
1.0	1.7	2920															
2.0	3.4	730															
3.0	5.0	324															



Natural Toning 580lm Series



Color temperature:2000K

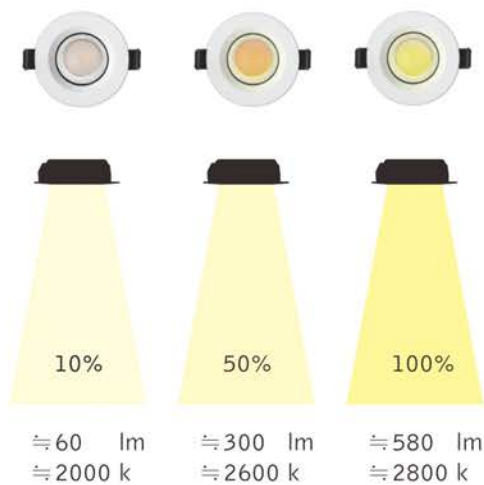


Color temperature:2800K

■ Features

- Thanks for Sharp new Cob technology, Dim-to-warm Natural Toning led down-light and spot-light available for the market.
- The new technology unite the brightness and color control by one single dimmer (Triac-dim).
- New Natural Toning products simulate similar effect as incandescent color response when dimming down.
- With high color quality, the products are perfect for high-end commercial and retail application.

■ Natural dimming color temperature and brighting



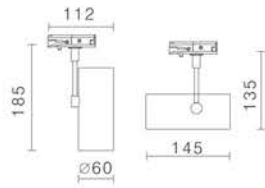
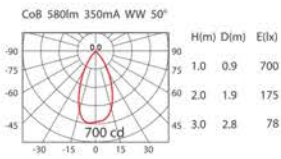
NO.	MODEL.	Color temp	Color rendering	Voltage (Typ. V)	Electric current		Power	
		CCT	CRI		Typ.(mA)	Max(mA)	Typ. watt	Max watt
	GW6NMNJNS0D 6 watt	2000- 2800K	Ra>82	18.8V	50	350	0.72	6.58

Natural Toning 580lm Series

COLOR : WU BK SY LED COLOR : WW



580lm



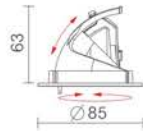
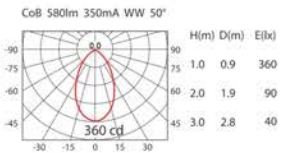
SA-294C-T/HT-303B

CoB	POWER	LED COLOR	COLOR
SHARP	6.6W(350mA, 18.8V) 220-240V	WW	<input type="checkbox"/> WU <input checked="" type="checkbox"/> BK <input type="checkbox"/> SY

Housing: aluminium, paint.
Reflector: pure aluminium.



580lm



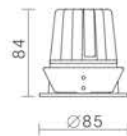
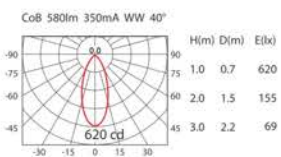
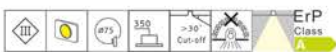
DW-301A-T

CoB	POWER	LED COLOR	COLOR
SHARP	6.6W(350mA, 18.8V)	WW	<input type="checkbox"/> WU <input checked="" type="checkbox"/> BK <input type="checkbox"/> SY

Mount ring: aluminium, paint.
Housing: aluminium, paint, with glass, 355° rotate and -15° to +45° tilt.
Reflector: pure aluminium layer, mirror-finish anodized.



580lm



DG-981C-T

CoB	POWER	LED COLOR	COLOR
SHARP	6.6W(350mA, 18.8V)	WW	<input type="checkbox"/> WU <input checked="" type="checkbox"/> BK <input type="checkbox"/> SY

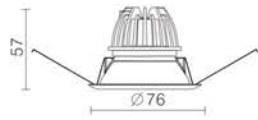
Housing: aluminium, paint.
Reflector: pure aluminium.

Natural Toning 580lm Series

COLOR : WU BK SY LED COLOR : WW



580lm



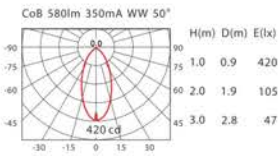
DA-A35C-T

CoB	POWER	LED COLOR	COLOR
SHARP	6.6W(350mA, 18.8V)	WW	<input type="checkbox"/> WU <input checked="" type="checkbox"/> BK <input type="checkbox"/> SY

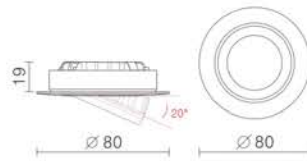
Housing: aluminium, paint.
Mounting ring: aluminium, paint.
Lampholder: aluminium, paint.



Adjustable / With IP44 accessory



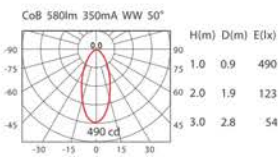
580lm



DG-F02D-T

CoB	POWER	LED COLOR	COLOR
SHARP	6.6W(350mA, 18.8V)	WW	<input type="checkbox"/> WU <input checked="" type="checkbox"/> BK <input type="checkbox"/> SY

Housing: aluminium, paint.
Reflector: PC.



Natural Toning 980lm Series



Color temperature:2000K

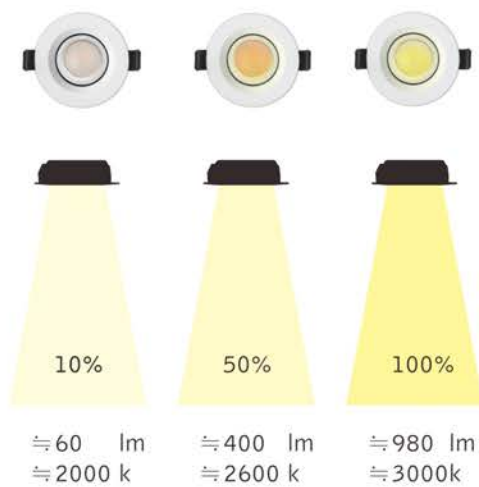



Color temperature:3000K

■ Features

- Thanks for Sharp new Cob technology, Dim-to-warm Natural Toning led down-light and spot-light available for the market.
- The new technology unite the brightness and color control by one single dimmer (Triac-dim).
- New Natural Toning products simulate similar effect as incandescent color response when dimming down.
- With high color quality, the products are perfect for high-end commercial and retail application

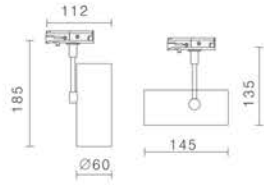
■ Natural dimming color temperature and brighting



NO.	MODEL.	Color temp	Color rendering	Voltage (Typ. V)	Electric current		Power	
		CCT	CRI		Typ.(mA)	Max(mA)	Typ. watt	Max watt
	GW6NGWJCSOC 13 watt	2000- 3000K	Ra > 90	36	50	350	1.8	12.6

Natural Toning 980lm Series

COLOR : WU BK SY LED COLOR : WW



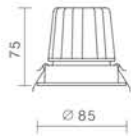
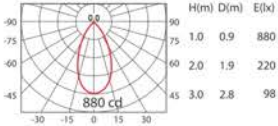
SA-294C-T/HT-303B

CoB	POWER	LED COLOR	COLOR
SHARP	12.6W(350mA, 36V) AC220-240V	WW	<input type="checkbox"/> WU <input checked="" type="checkbox"/> BK <input type="checkbox"/> SY

Housing: aluminium, paint.
Reflector: pure aluminium.



CoB 980lm 350mA WW 50°



DG-911C-T

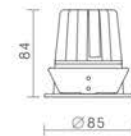
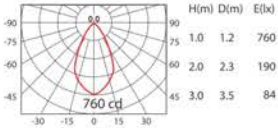
CoB	POWER	LED COLOR	COLOR
SHARP	12.6W(350mA, 36V)	WW	<input type="checkbox"/> WU <input checked="" type="checkbox"/> BK <input type="checkbox"/> SY

Housing: aluminium, paint.
Mounting ring: aluminium
Lampshade: PC.



IP44 on the front.

CoB 980lm 350mA WW 60°



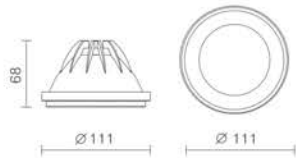
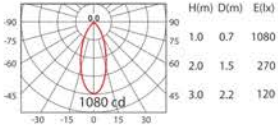
DG-981C-T

CoB	POWER	LED COLOR	COLOR
SHARP	12.6W(350mA, 36V)	WW	<input type="checkbox"/> WU <input checked="" type="checkbox"/> BK <input type="checkbox"/> SY

Housing: aluminium, paint.
Reflector: pure aluminium.



CoB 980lm 350mA WW 40°



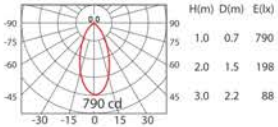
MD-R111C-T

CoB	POWER	LED COLOR	COLOR
SHARP	12.6W(350mA, 36V)	WW	<input type="checkbox"/> WU <input checked="" type="checkbox"/> BK <input type="checkbox"/> SY

Housing: aluminium, paint.



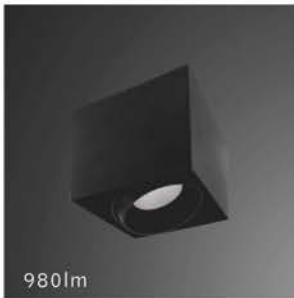
CoB 980lm 350mA WW 40°



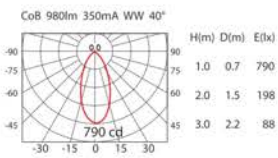
Natural Toning 980lm Series

COLOR : WK BJ

LED COLOR : WW



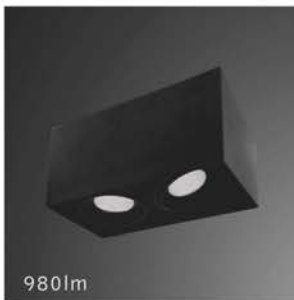
980lm



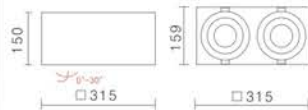
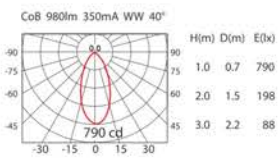
WA-7215-T

CoB	POWER	LED COLOR	COLOR
SHARP	12.6W(350mA, 36V)	<input checked="" type="checkbox"/> WW	<input type="checkbox"/> WK <input checked="" type="checkbox"/> BJ

Housing: steel, paint.



980lm



WA-7225-T

CoB	POWER	LED COLOR	COLOR
SHARP	12.6W(350mA, 36V)	<input checked="" type="checkbox"/> WW	<input type="checkbox"/> WK <input checked="" type="checkbox"/> BJ

Housing: steel, paint.

CEILING LIGHTS



Features

- Easy installation.
- Full range size products and various accessories for different applications.
- Compatible to different light source module (lamp holder), CoB, LED, HID.
- 20° - 30° tilt angle to maximize the lighting range.

Application

With spot and flood light module, is good for retail store and show room.

FUNCTION

HOUSING

DL-871 20° tilt.
DL-851, DL-821 30° tilt.

MATERIAL

HOUSING

Steel, paint.

MOUNTING FRAME

Steel, paint.



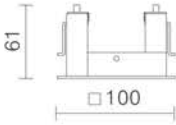



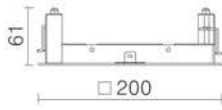
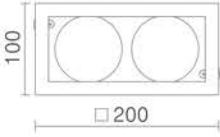



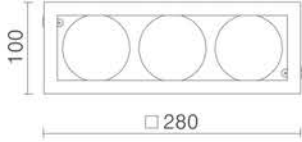


ACCESSORIES


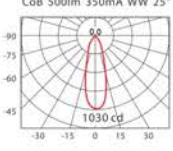
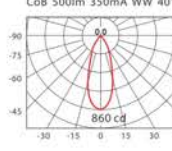

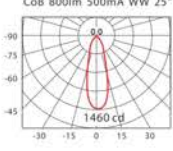
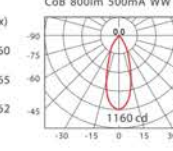

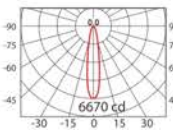
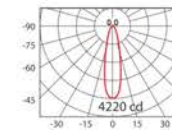
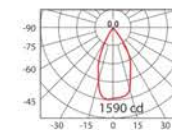
Optional	 Mounting Ring Honeycomb	 Sculptured Lens	 Matte glass
DL-87X Series	DL-75-AC2	AC-770D	AC-770E
DA-85X Series	DL-75-AC2	AC-350D	AC-350E
DA-82X Series	DL-7-AC2	AC-320D	AC-320E

CEILING LIGHTS

COLOR : WU BK SY


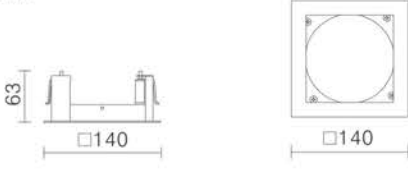

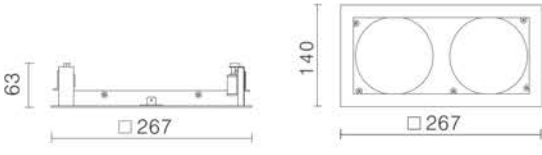

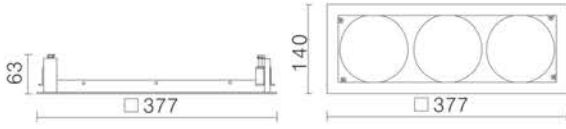
<p>DL-871</p> 	 <p>Cut out : 90x90mm</p>  
<p>DL-872</p> 	 <p>Cut out : 190x90mm</p>  
<p>DL-873</p> 	 <p>Cut out : 270x90mm</p>  

LAMP HOLDERS


 <p>HD-77 (MD-A35) (500lm)</p> <p>ErP Class A</p> <p>CoB 500lm 350mA WW 25°</p>  <table border="1"> <thead> <tr> <th>H(m)</th> <th>D(m)</th> <th>E(lx)</th> </tr> </thead> <tbody> <tr><td>1.0</td><td>0.4</td><td>1030</td></tr> <tr><td>2.0</td><td>0.9</td><td>258</td></tr> <tr><td>3.0</td><td>1.3</td><td>114</td></tr> </tbody> </table>	H(m)	D(m)	E(lx)	1.0	0.4	1030	2.0	0.9	258	3.0	1.3	114	<p>CoB 500lm 350mA WW 40°</p>  <table border="1"> <thead> <tr> <th>H(m)</th> <th>D(m)</th> <th>E(lx)</th> </tr> </thead> <tbody> <tr><td>1.0</td><td>0.7</td><td>860</td></tr> <tr><td>2.0</td><td>1.5</td><td>215</td></tr> <tr><td>3.0</td><td>2.2</td><td>96</td></tr> </tbody> </table>	H(m)	D(m)	E(lx)	1.0	0.7	860	2.0	1.5	215	3.0	2.2	96	 <p>HD-77 (MD-B001) (800lm)</p> <p>ErP Class A</p> <p>CoB 800lm 500mA WW 25°</p>  <table border="1"> <thead> <tr> <th>H(m)</th> <th>D(m)</th> <th>E(lx)</th> </tr> </thead> <tbody> <tr><td>1.0</td><td>0.4</td><td>1460</td></tr> <tr><td>2.0</td><td>0.9</td><td>365</td></tr> <tr><td>3.0</td><td>1.3</td><td>162</td></tr> </tbody> </table>	H(m)	D(m)	E(lx)	1.0	0.4	1460	2.0	0.9	365	3.0	1.3	162	<p>CoB 800lm 500mA WW 40°</p>  <table border="1"> <thead> <tr> <th>H(m)</th> <th>D(m)</th> <th>E(lx)</th> </tr> </thead> <tbody> <tr><td>1.0</td><td>0.7</td><td>1160</td></tr> <tr><td>2.0</td><td>1.5</td><td>290</td></tr> <tr><td>3.0</td><td>2.2</td><td>129</td></tr> </tbody> </table>	H(m)	D(m)	E(lx)	1.0	0.7	1160	2.0	1.5	290	3.0	2.2	129
H(m)	D(m)	E(lx)																																																	
1.0	0.4	1030																																																	
2.0	0.9	258																																																	
3.0	1.3	114																																																	
H(m)	D(m)	E(lx)																																																	
1.0	0.7	860																																																	
2.0	1.5	215																																																	
3.0	2.2	96																																																	
H(m)	D(m)	E(lx)																																																	
1.0	0.4	1460																																																	
2.0	0.9	365																																																	
3.0	1.3	162																																																	
H(m)	D(m)	E(lx)																																																	
1.0	0.7	1160																																																	
2.0	1.5	290																																																	
3.0	2.2	129																																																	
 <p>HA-770C (1300lm)</p> <p>ErP Class A</p> <p>CoB 1300lm 350mA WW 10°</p>  <table border="1"> <thead> <tr> <th>H(m)</th> <th>D(m)</th> <th>E(lx)</th> </tr> </thead> <tbody> <tr><td>1.0</td><td>0.2</td><td>6670</td></tr> <tr><td>2.0</td><td>0.3</td><td>1668</td></tr> <tr><td>3.0</td><td>0.5</td><td>741</td></tr> </tbody> </table>	H(m)	D(m)	E(lx)	1.0	0.2	6670	2.0	0.3	1668	3.0	0.5	741	<p>CoB 1300lm 350mA WW 20°</p>  <table border="1"> <thead> <tr> <th>H(m)</th> <th>D(m)</th> <th>E(lx)</th> </tr> </thead> <tbody> <tr><td>1.0</td><td>0.4</td><td>4220</td></tr> <tr><td>2.0</td><td>0.7</td><td>1055</td></tr> <tr><td>3.0</td><td>1.1</td><td>469</td></tr> </tbody> </table>	H(m)	D(m)	E(lx)	1.0	0.4	4220	2.0	0.7	1055	3.0	1.1	469	<p>CoB 1300lm 350mA WW 50°</p>  <table border="1"> <thead> <tr> <th>H(m)</th> <th>D(m)</th> <th>E(lx)</th> </tr> </thead> <tbody> <tr><td>1.0</td><td>0.9</td><td>1590</td></tr> <tr><td>2.0</td><td>1.9</td><td>398</td></tr> <tr><td>3.0</td><td>2.8</td><td>177</td></tr> </tbody> </table>	H(m)	D(m)	E(lx)	1.0	0.9	1590	2.0	1.9	398	3.0	2.8	177													
H(m)	D(m)	E(lx)																																																	
1.0	0.2	6670																																																	
2.0	0.3	1668																																																	
3.0	0.5	741																																																	
H(m)	D(m)	E(lx)																																																	
1.0	0.4	4220																																																	
2.0	0.7	1055																																																	
3.0	1.1	469																																																	
H(m)	D(m)	E(lx)																																																	
1.0	0.9	1590																																																	
2.0	1.9	398																																																	
3.0	2.8	177																																																	

CEILING LIGHTS

COLOR : WU BK SY

<p>DL-851</p> 	<p>Cut out : 125x125mm</p> 
<p>DL-852</p> 	<p>Cut out : 250x125mm</p> 
<p>DL-853</p> 	<p>Cut out : 360x125mm</p> 

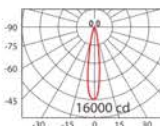
LAMP HOLDERS



HA-750C
(3100lm)

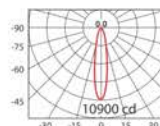
ErP
Class
A

CoB 3100lm 700mA WW 10°



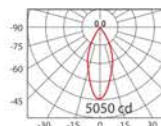
H(m)	D(m)	E(lx)
1.0	0.2	16000
2.0	0.3	4000
3.0	0.5	1778

CoB 3100lm 700mA WW 20°



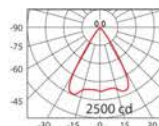
H(m)	D(m)	E(lx)
1.0	0.4	10900
2.0	0.7	2725
3.0	1.1	1211

CoB 3100lm 700mA WW 40°



H(m)	D(m)	E(lx)
1.0	0.7	5050
2.0	1.5	1263
3.0	2.2	561



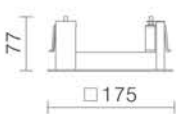
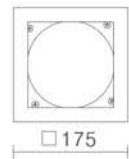


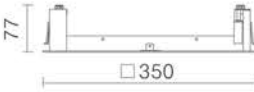
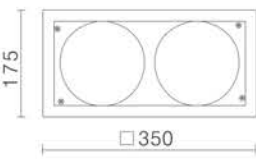



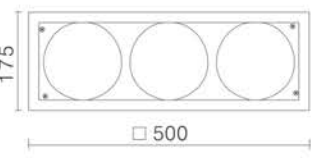
CoB 3100lm 700mA WW 70°



H(m)	D(m)	E(lx)
1.0	1.4	2500
2.0	2.8	625
3.0	4.2	278

CEILING LIGHTS

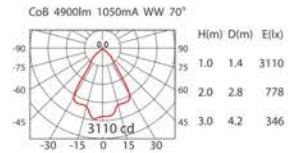
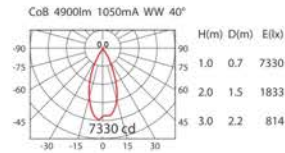
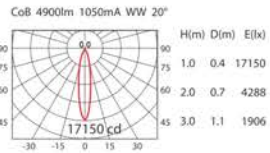
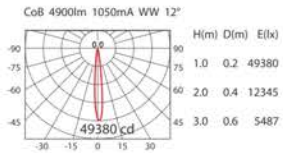
COLOR : WU BK SY

<p>DL-821</p> 	 <p>Cut out : 160x160mm</p>  
<p>DL-822</p> 	 <p>Cut out : 355x160mm</p>  
<p>DL-823</p> 	 <p>Cut out : 485x160mm</p>  

LAMP HOLDERS



HA-720C
(4200lm)
*(4900lm)



CEILING LIGHTS



Features

- Easy installation.
- Full range of products and various accessories for different applications.
- Cover a wide range of lamps: metal halide lamps, halogen lamps, LED & CoB.
- 0° - 15° tilt angle to maximize the lighting range.
- Reflectors with pure aluminium layer 99.9%, precise optical design, mirror-finish anodized and anti-dazzle design create a visual comfort efficiently and high performance.

Application

perfect for highlighting artworks whether in museums, exhibitions, art galleries, showrooms and commercial applications.

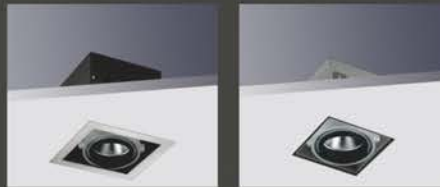
DL-7XX MATERIAL

HOUSING
Steel, paint.

MOUNTING FRAME
Steel, paint.

DL-7XXW MATERIAL

HOUSING
Steel, paint.



Light head with different lighting source extend the commercial application in trim and trimless series.

MATERIAL OF LIGHT HEAD


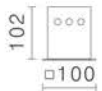

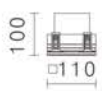


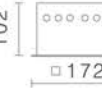





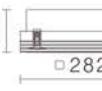




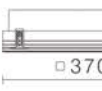




LIGHT HEAD
Aluminium, paint, 0° - 15° tilt,
Anti-dazzle design.

ANTI-DAZZLE-RING
Plastic, black.



CEILING LIGHTS

COLOR : WU BK SY

<p>DL-771</p> 	<p></p> <p>Cut out : 90x90mm</p> 	<p>DL-771W</p> 	<p></p> <p>Cut out : 112x112mm</p> 
<p>DL-772</p> 	<p></p> <p>Cut out : 90x158mm</p> 	<p>DL-772W</p> 	<p></p> <p>Cut out : 112x199mm</p> 
<p>DL-773</p> 	<p></p> <p>Cut out : 90x230mm</p> 	<p>DL-773W</p> 	<p></p> <p>Cut out : 112x285mm</p> 
<p>DL-774</p> 	<p></p> <p>Cut out : 90x302mm</p> 	<p>DL-774W</p> 	<p></p> <p>Cut out : 112x373mm</p> 
<p>DL-774SQ</p> 	<p></p> <p>Cut out : 167x167mm</p> 	<p>DL-774WSQ</p> 	<p></p> <p>Cut out : 199x199mm</p> 

CEILING LIGHTS

COLOR : WU BK SY LED COLOR : WW NW

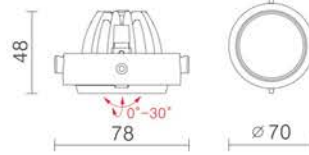
HD-77(MD-A35)  



ErP
Class



500lm



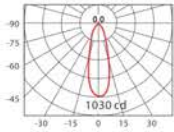
LED

SHARP CoB

POWER

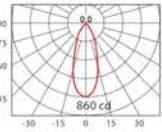
5.3W (350mA, 15V)

CoB 500lm 350mA WW 25°



H(m)	D(m)	E(lx)
1.0	0.4	1030
2.0	0.9	258
3.0	1.3	114

CoB 500lm 350mA WW 40°



H(m)	D(m)	E(lx)
1.0	0.7	860
2.0	1.5	215
3.0	2.2	96

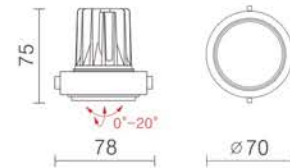
HD-77(MD-B001)  



ErP
Class



800lm



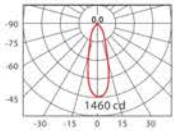
LED

SHARP CoB

POWER

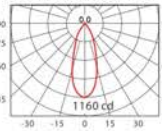
7.5W (500mA, 15V)

CoB 800lm 500mA WW 25°



H(m)	D(m)	E(lx)
1.0	0.4	1460
2.0	0.9	365
3.0	1.3	162

CoB 800lm 500mA WW 40°



H(m)	D(m)	E(lx)
1.0	0.7	1160
2.0	1.5	290
3.0	2.2	129

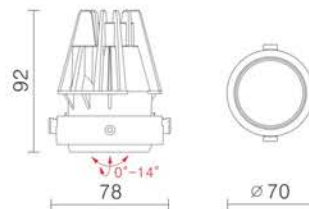
HA-770C  



ErP
Class



1300lm



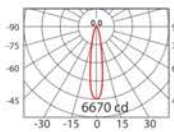
LED

SHARP CoB

POWER

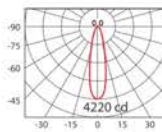
13W (350mA, 37V)

CoB 1300lm 350mA WW 10°



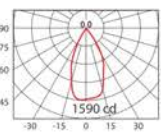
H(m)	D(m)	E(lx)
1.0	0.2	6670
2.0	0.3	1668
3.0	0.5	741

CoB 1300lm 350mA WW 20°



H(m)	D(m)	E(lx)
1.0	0.4	4220
2.0	0.7	1055
3.0	1.1	469


CoB 1300lm 350mA WW 50°



H(m)	D(m)	E(lx)
1.0	0.9	1590
2.0	1.9	398
3.0	2.8	177

CEILING LIGHTS

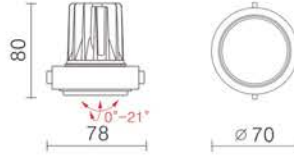
COLOR : WU BK SY LED COLOR : WW NW

HD-77(MD-104A) 



ErP
Class
A

HD-77(MD-104A)-OS-1-12
HD-77(MD-104A)-OS-2-12
HD-77(MD-104A)-OS-3-12



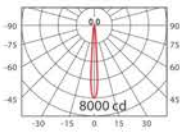
LED / Pieces

OSRAM / 4pcs

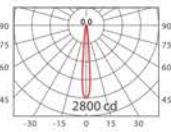
POWER

1.2Wx4 (350mA)
2Wx4 (500mA)
3Wx4 (700mA)

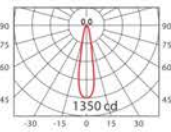
OSLON 4pcs(700mA) WW 12°



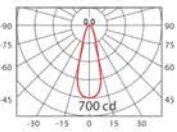
OSLON 4pcs(700mA) WW 20°



OSLON 4pcs(700mA) WW 30°


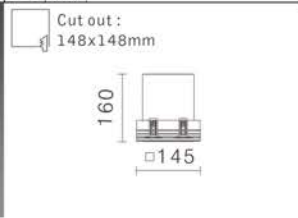
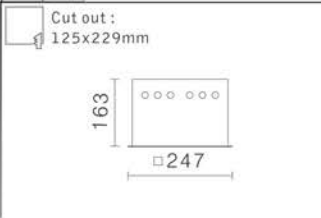



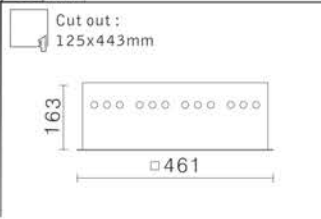
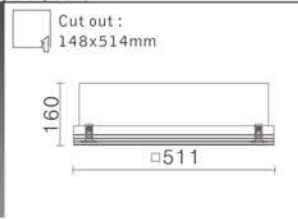



OSLON 4pcs(700mA) WW 60°




CEILING LIGHTS

COLOR : WU BK SY

<p>DL-751</p> 	<p></p> <p>Cut out : 125x125mm</p> 	<p>DL-751W</p> 	<p></p> <p>Cut out : 148x148mm</p> 
<p>DL-752</p> 	<p></p> <p>Cut out : 125x229mm</p> 	<p>DL-752W</p> 	<p></p> <p>Cut out : 148x270mm</p> 
<p>DL-753</p> 	<p></p> <p>Cut out : 125x336mm</p> 	<p>DL-753W</p> 	<p></p> <p>Cut out : 148x392mm</p> 
<p>DL-754</p> 	<p></p> <p>Cut out : 125x443mm</p> 	<p>DL-754W</p> 	<p></p> <p>Cut out : 148x514mm</p> 
<p>DL-754SQ</p> 	<p></p> <p>Cut out : 238x238mm</p> 	<p>DL-754WSQ</p> 	<p></p> <p>Cut out : 270x270mm</p> 

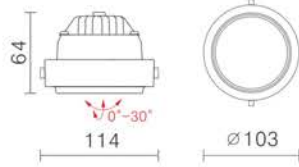
CEILING LIGHTS

COLOR : WU BK SY LED COLOR : WW NW

HD-75(MD-107B) 



ErP
Class
A



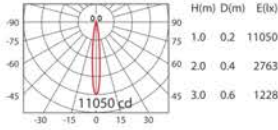
LED / Pieces

OSRAM / 7pcs

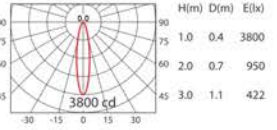
POWER

2Wx7 (500mA)

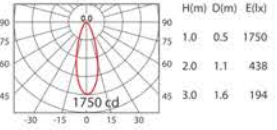
OSLON 7pcs(500mA) WW 12°



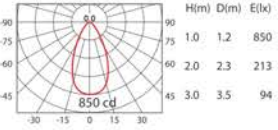
OSLON 7pcs(500mA) WW 20°



OSLON 7pcs(500mA) WW 30°



OSLON 7pcs(500mA) WW 60°

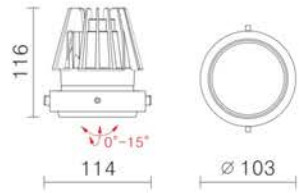


HA-750C 



ErP
Class
A

3100lm



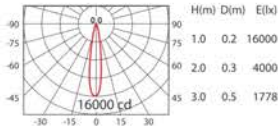
LED

CITIZEN CoB

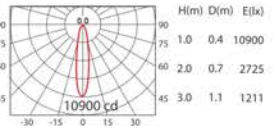
POWER

25.5W(700mA,36V)

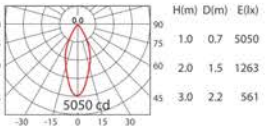
CoB 3100lm 700mA WW 10°



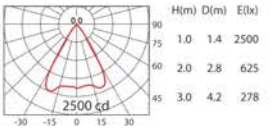
CoB 3100lm 700mA WW 20°



CoB 3100lm 700mA WW 40°



CoB 3100lm 700mA WW 70°



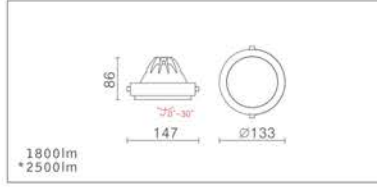
CEILING LIGHTS

COLOR : WU BK SY

<p>DL-721</p> 	<p></p> <p>Cut out : 160x160mm</p> 	<p>DL-721W</p> 	<p></p> <p>Cut out : 181x181mm</p> 
<p>DL-722</p> 	<p></p> <p>Cut out : 160x295mm</p> 	<p>DL-722W</p> 	<p></p> <p>Cut out : 181x336mm</p> 
<p>DL-723</p> 	<p></p> <p>Cut out : 160x435mm</p> 	<p>DL-723W</p> 	<p></p> <p>Cut out : 181x491mm</p> 
<p>DL-724</p> 	<p></p> <p>Cut out : 160x575mm</p> 	<p>DL-724W</p> 	<p></p> <p>Cut out : 181x646mm</p> 
<p>DL-724SQ</p> 	<p></p> <p>Cut out : 302x302mm</p> 	<p>DL-724WSQ</p> 	<p></p> <p>Cut out : 336x336mm</p> 

CEILING LIGHTS

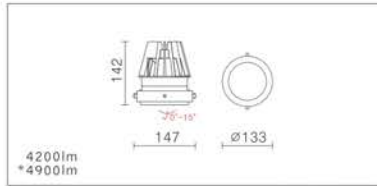
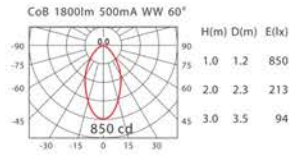
COLOR : WU BK SY LED COLOR : WW NW



LAMP: CREE CoB

POWER:
*19.5W (500mA, 39V)
*1800lm for standard application

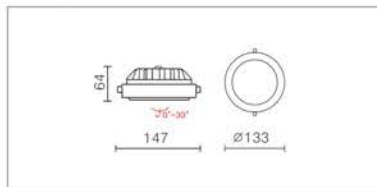
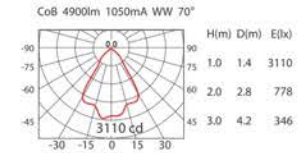
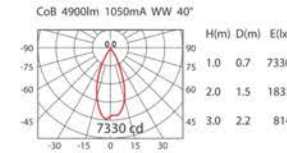
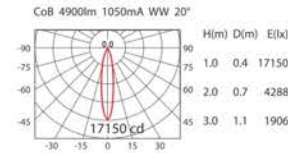
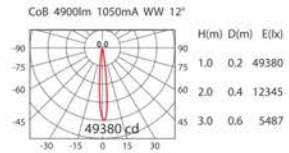
HD-72(MD-R111C)



LAMP: CIZIZEN CoB

POWER:
*38W (1050mA, 36V)
*4900lm for standard application

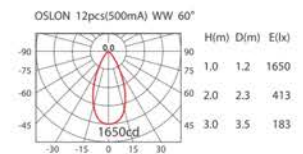
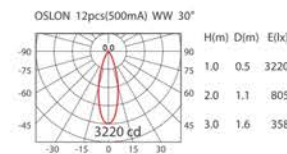
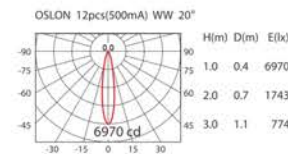
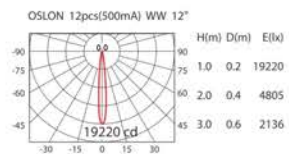
HA-720C



LAMP: OSRAM / 12pcs

POWER:
2Wx12(500mA)

HA-72(MD-112B)



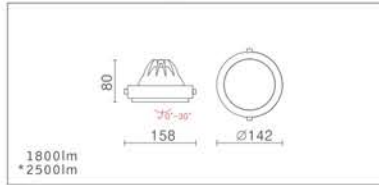
CEILING LIGHTS

COLOR : WU BK SY

<p>DL-711</p> 	<p></p> <p>Cut out : 165x165mm</p> 	<p>DL-711W</p> 	<p></p> <p>Cut out : 192x192mm</p> 
<p>DL-712</p> 	<p></p> <p>Cut out : 165x325mm</p> 	<p>DL-712W</p> 	<p></p> <p>Cut out : 192x358mm</p> 
<p>DL-713</p> 	<p></p> <p>Cut out : 165x485mm</p> 	<p>DL-713W</p> 	<p></p> <p>Cut out : 192x524mm</p> 
<p>DL-714</p> 	<p></p> <p>Cut out : 165x645mm</p> 	<p>DL-714W</p> 	<p></p> <p>Cut out : 192x690mm</p> 
<p>DL-714SQ</p> 	<p></p> <p>Cut out : 325x325mm</p> 	<p>DL-714WSQ</p> 	<p></p> <p>Cut out : 358x358mm</p> 

CEILING LIGHTS

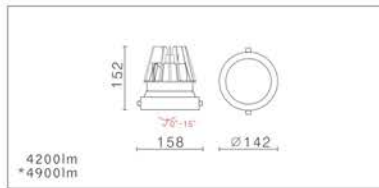
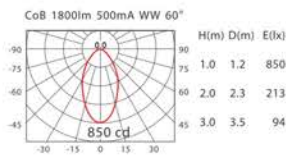
COLOR : WU BK SY LED COLOR : WW NW



LAMP: CREE CoB

POWER:
*19.5W (500mA, 39V)
*1800lm for standard application

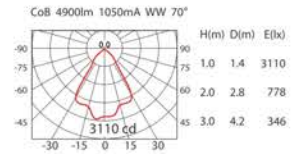
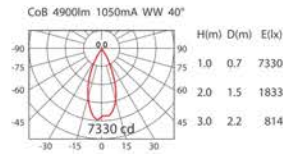
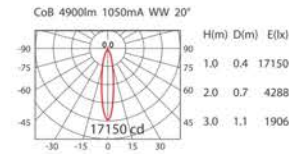
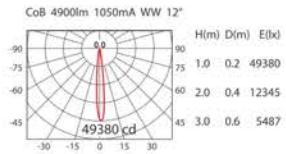
HD-71(MD-R111C)



LAMP: CIZIZEN CoB

POWER:
*38W (1050mA, 36V)
*4900lm for standgard application

HA-710C



ACCESSORIES FOR DL-71 SERIES

• Optional			
	DL-7-AC2	AC-320D	AC-320E
CoB	<input type="checkbox"/>	<input type="checkbox"/>	<input type="checkbox"/>

DL-7-AC2
Mounting Ring with Faveolate Mesh
Material: Steel/Aluminium
Size: \varnothing 107, H:12

AC-320D
Sculptured Lens
Material: Glass
Size: \varnothing 108.5, H:3

AC-320E
Matte glass
Material: Glass
Size: \varnothing 108.5, H:3



Hyper Long Lifespan

LED: 50,000 hours
Low Maintenance Cost

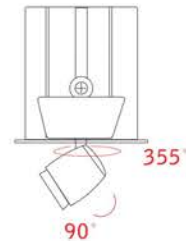
■ Features

- Multifunction luminaire for down light and spot light effect.
- Square and Round installation box ready for different shape of cut-out.
- Delicate mechanism and state-of-art heat management guarantee 50,000 hour lifespan.
- None-seeable cable cover provide a much neater and cleaner outlook to fit architect preference.
- Special hinge bracket allow 355° rotation and 90° tilting for different spot angle.
- Precise light distribution make visual comfort, different beam angle lens and glaring control accessories ready on request.
- Very tiny downlight but easy installation.
- No UV radiation.

■ Application

Precise light distribution is perfect for highlighting artwork in art galleries, museum, and in display closet.

ROTATE & TILT



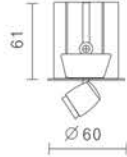
ADJUSTMENT



CEILING LIGHTS

COLOR : WU BK

LED COLOR : WW NW



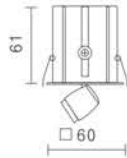
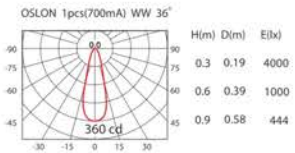
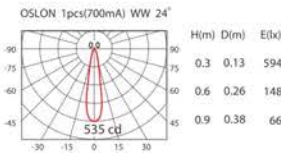
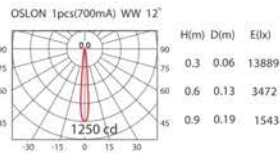
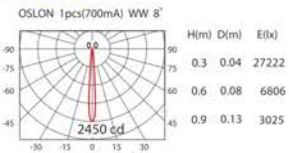
RA-501R

LED	POWER	LED COLOR	COLOR
OSRAM 3W/1pcs	3W x 1(700mA)	<input checked="" type="checkbox"/> WW <input type="checkbox"/> NW	<input type="checkbox"/> WU <input checked="" type="checkbox"/> BK

Mounting frame: aluminium, paint.
Lampholder: aluminium, paint.



ErP
Class
A



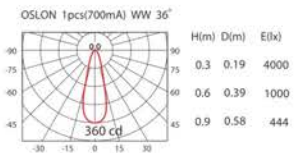
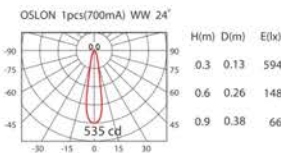
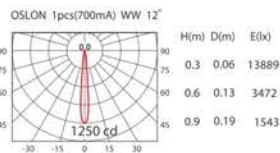
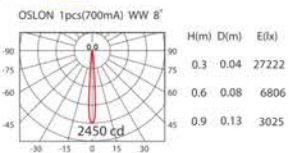
RA-501S

LED	POWER	LED COLOR	COLOR
OSRAM 3W/1pcs	3W x 1(700mA)	<input checked="" type="checkbox"/> WW <input type="checkbox"/> NW	<input type="checkbox"/> WU <input checked="" type="checkbox"/> BK

Mounting frame: aluminium, paint.
Lampholder: aluminium, paint.



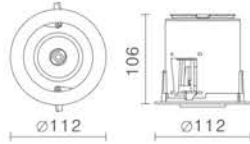
ErP
Class
A



CEILING LIGHTS



1300lm



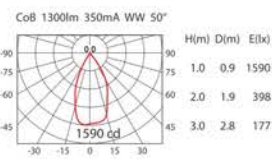
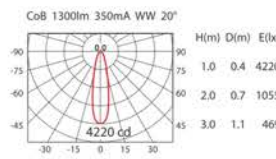
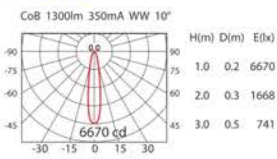
RA-771R

CoB	POWER	LED COLOR	COLOR
SHARP	13W(350mA, 37V)	WW NW	WU BK SV

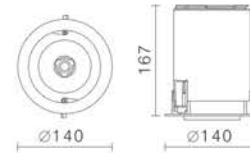
Mounting frame: aluminium, paint.

Light head: aluminium, paint.

Reflector: pure aluminium layer, mirror-finish anodized.



3100lm



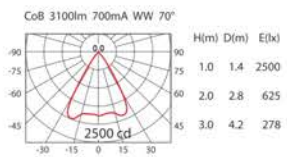
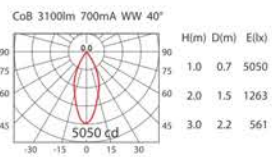
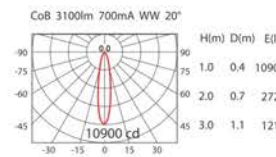
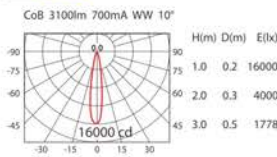
RA-751R

CoB	POWER	LED COLOR	COLOR
CITIZEN	25.5W(700mA, 36V)	WW NW	WU BK SV

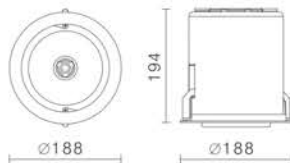
Mounting frame: aluminium, paint.

Light head: aluminium, paint.

Reflector: pure aluminium layer, mirror-finish anodized



3800lm



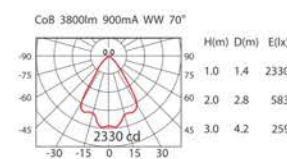
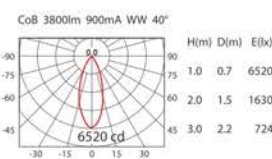
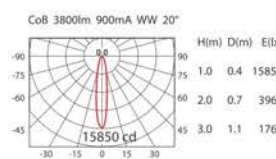
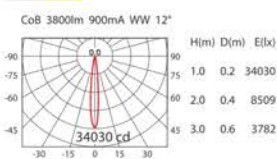
RA-721R

CoB	POWER	LED COLOR	COLOR
CITIZEN	34W(900mA, 37V)	WW NW	WU BK SV

Mounting frame: aluminium, paint.

Light head: aluminium, paint.

Reflector: pure aluminium layer, mirror-finish anodized.



CEILING LIGHTS

COLOR : WU BK SY LED COLOR : WW NW

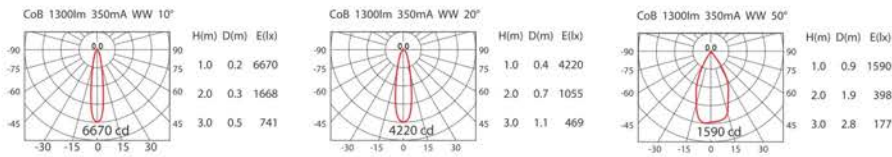
RA-7711

Cut out : 90x90mm

LED
 SHARP CoB
POWER
 13W (350mA, 37V)

ErP Class **A**

1300lm



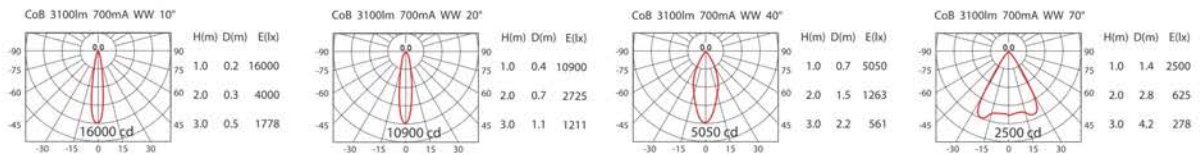
RA-7511

Cut out : 125x125mm

LED
 CITIZEN CoB
POWER
 25.5W(700mA,36V)

ErP Class **A**

3100lm



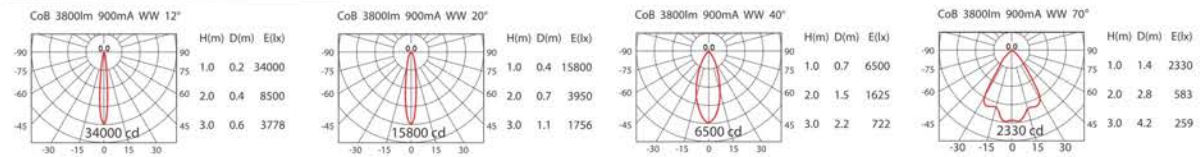
RA-7211

Cut out : 160x160mm

LED
 CITIZEN CoB
POWER
 34W(900mA,37V)

ErP Class **A**


3800lm



CEILING LIGHTS

COLOR : WU BK SY LED COLOR : WW NW

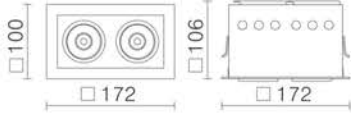
RA-7712



ErP Class A

1300lm x2

Cut out : 90x158mm



LED

SHARP CoB


POWER

13W (350mA, 37V)x2

CoB 1300lm 350mA WW 10°		CoB 1300lm 350mA WW 20°		CoB 1300lm 350mA WW 50°	
H(m)	D(m)	E(lx)	H(m)	D(m)	E(lx)
1.0	0.2	6670	1.0	0.4	4220
2.0	0.3	1668	2.0	0.7	1055
3.0	0.5	741	3.0	1.1	469

CoB 1300lm 350mA WW 20°		CoB 1300lm 350mA WW 50°			
H(m)	D(m)	E(lx)	H(m)	D(m)	E(lx)
1.0	0.2	16000	1.0	0.7	5050
2.0	0.3	4000	2.0	1.5	1263
3.0	0.5	1778	3.0	2.2	561


RA-7512



ErP Class A

2000lm X2
*3100lm X2

Cut out : 125x229mm



LED

CITIZEN CoB


POWER

25.5W (700mA, 36V)x2

CoB 3100lm 700mA WW 10°		CoB 3100lm 700mA WW 20°		CoB 3100lm 700mA WW 40°		CoB 3100lm 700mA WW 70°		
H(m)	D(m)	E(lx)	H(m)	D(m)	E(lx)	H(m)	D(m)	E(lx)
1.0	0.2	16000	1.0	0.4	10900	1.0	1.4	2500
2.0	0.3	4000	2.0	0.7	2725	2.0	2.8	625
3.0	0.5	1778	3.0	1.1	1211	3.0	4.2	278

CoB 3100lm 700mA WW 20°		CoB 3100lm 700mA WW 40°		CoB 3100lm 700mA WW 70°	
H(m)	D(m)	E(lx)	H(m)	D(m)	E(lx)
1.0	0.2	47000	1.0	0.7	7700
2.0	0.4	11750	2.0	1.5	1925
3.0	0.6	5222	3.0	2.2	856

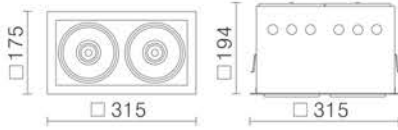
RA-7212



ErP Class A

3800lm X2
*4700lm X2

Cut out : 160x295mm



LED

CITIZEN CoB

POWER

*38W (1050mA, 36V)x2
*4700lm for standard application


CoB 4700lm 1050mA WW 12°		CoB 4700lm 1050mA WW 20°		CoB 4700lm 1050mA WW 40°		CoB 4700lm 1050mA WW 70°		
H(m)	D(m)	E(lx)	H(m)	D(m)	E(lx)	H(m)	D(m)	E(lx)
1.0	0.2	47000	1.0	0.4	19000	1.0	1.4	2900
2.0	0.4	11750	2.0	0.7	4750	2.0	2.8	725
3.0	0.6	5222	3.0	1.1	2111	3.0	4.2	322

CoB 4700lm 1050mA WW 20°		CoB 4700lm 1050mA WW 40°		CoB 4700lm 1050mA WW 70°	
H(m)	D(m)	E(lx)	H(m)	D(m)	E(lx)
1.0	0.2	16000	1.0	0.7	5050
2.0	0.3	4000	2.0	1.5	1263
3.0	0.5	1778	3.0	2.2	561

CEILING LIGHTS

COLOR : WU BK SY LED COLOR : WW NW

DG-E04



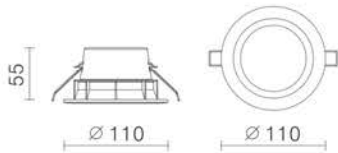
ErP Class A

500lm
700lm
800lm
1000lm

IP44 12° Cut-off

IP44 on the front.

Cut out : Ø90-100



LED / Pieces

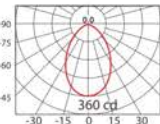
OSRAM / 12pcs (DG-E04A)
OSRAM / 6pcs (DG-E04B)

POWER

DG-E04A:
7W, 350mA (12pcs, 17.4-20.4V)
10W, 500mA

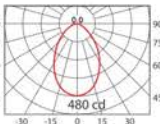
DG-E04B:
5W, 350mA (6pcs, 11.6-13.6V)
7W, 500mA

800lm 7W/12pcs (350mA) WW 75°



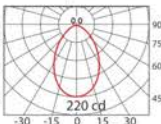
H(m)	D(m)	E(lx)
1.0	1.5	360
2.0	3.1	90
3.0	4.6	40

1000lm 10W/12pcs (500mA) WW 75°



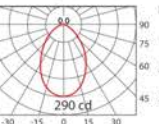
H(m)	D(m)	E(lx)
1.0	1.5	480
2.0	3.1	120
3.0	4.6	53

500lm 5W/6pcs (350mA) WW 75°



H(m)	D(m)	E(lx)
1.0	1.5	220
2.0	3.1	55
3.0	4.6	24

700lm 7W/6pcs (500mA) WW 75°



H(m)	D(m)	E(lx)
1.0	1.5	290
2.0	3.1	73
3.0	4.6	32

FRONT FRAME CAN BE EASILY CHANGED BY CLICK IN, DIFFERENT COLORS AVAILABLE FOR OPTION



CEILING LIGHTS



Features

- Thin and Square Trim create high-end effect for very clean ceiling design.
- Recessed downlight good for varies type of LED lamp and halogen lamp.
- Adjustable light head gives lighting designer more flexibility.
- Easy to change the light head from the front side.
- Deep anti-dazzled reflector for visual comfort.
- Easy install by two springs.

Application

Suitable for low ceilings in hotel, restaurant and home lighting. Good for replacement the luminaires with halogen lamps.

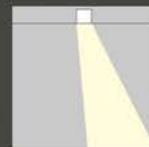
FUNCTION

LIGHT HEAD
15° tilt.
30° cut-off angle.

ACCESSORIES

- Optional

		
	Mounting Ring Honeycomb	Mounting Ring with Filter
DL-802SN	DL-77-AC2	DL-77-AC3
DL-802SD	DL-77-AC2	DL-77-AC3



MATERIAL


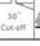
HOUSING
Steel, paint.

INSTALLATION


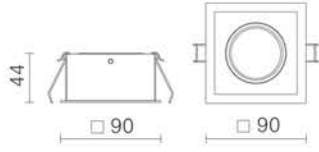



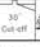
CEILING LIGHTS

COLOR : WU BK SY


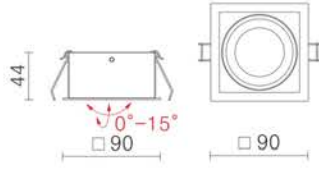
DL-802SN   **Halogen MR-16, GU-10 or GZ-10 or LED retrofit lamp available**

Cut out : 86x86mm







DL-802SD   **Halogen MR-16, GU-10 or GZ-10 or LED retrofit lamp available**

Cut out : 86x86mm

REPLACE HALOGEN LAMP WITH LED LIGHT SOURCE, ERP CLASS WILL UP TO A.

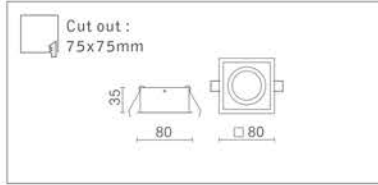
 <p>MD-A35 (500lm)</p> <p>CoB 500lm 350mA WW 25°</p> <table border="1"> <thead> <tr> <th>H(m)</th> <th>D(m)</th> <th>E(lx)</th> </tr> </thead> <tbody> <tr><td>1.0</td><td>0.4</td><td>1030</td></tr> <tr><td>2.0</td><td>0.9</td><td>258</td></tr> <tr><td>3.0</td><td>1.3</td><td>114</td></tr> </tbody> </table> <p>1030 cd</p>	H(m)	D(m)	E(lx)	1.0	0.4	1030	2.0	0.9	258	3.0	1.3	114	<p>ErP Class A</p> <p>CoB 500lm 350mA WW 40°</p> <table border="1"> <thead> <tr> <th>H(m)</th> <th>D(m)</th> <th>E(lx)</th> </tr> </thead> <tbody> <tr><td>1.0</td><td>0.7</td><td>860</td></tr> <tr><td>2.0</td><td>1.5</td><td>215</td></tr> <tr><td>3.0</td><td>2.2</td><td>96</td></tr> </tbody> </table> <p>860 cd</p>	H(m)	D(m)	E(lx)	1.0	0.7	860	2.0	1.5	215	3.0	2.2	96	 <p>MD-B001 (800lm)</p> <p>CoB 800lm 500mA WW 25°</p> <table border="1"> <thead> <tr> <th>H(m)</th> <th>D(m)</th> <th>E(lx)</th> </tr> </thead> <tbody> <tr><td>1.0</td><td>0.4</td><td>1460</td></tr> <tr><td>2.0</td><td>0.9</td><td>365</td></tr> <tr><td>3.0</td><td>1.3</td><td>162</td></tr> </tbody> </table> <p>1460 cd</p>	H(m)	D(m)	E(lx)	1.0	0.4	1460	2.0	0.9	365	3.0	1.3	162	<p>ErP Class A</p> <p>CoB 800lm 500mA WW 40°</p> <table border="1"> <thead> <tr> <th>H(m)</th> <th>D(m)</th> <th>E(lx)</th> </tr> </thead> <tbody> <tr><td>1.0</td><td>0.7</td><td>1160</td></tr> <tr><td>2.0</td><td>1.5</td><td>290</td></tr> <tr><td>3.0</td><td>2.2</td><td>129</td></tr> </tbody> </table> <p>1160 cd</p>	H(m)	D(m)	E(lx)	1.0	0.7	1160	2.0	1.5	290	3.0	2.2	129
H(m)	D(m)	E(lx)																																																	
1.0	0.4	1030																																																	
2.0	0.9	258																																																	
3.0	1.3	114																																																	
H(m)	D(m)	E(lx)																																																	
1.0	0.7	860																																																	
2.0	1.5	215																																																	
3.0	2.2	96																																																	
H(m)	D(m)	E(lx)																																																	
1.0	0.4	1460																																																	
2.0	0.9	365																																																	
3.0	1.3	162																																																	
H(m)	D(m)	E(lx)																																																	
1.0	0.7	1160																																																	
2.0	1.5	290																																																	
3.0	2.2	129																																																	
 <p>MD-D001 (700lm)</p> <p>CoB 700lm 450mA WW 15°</p> <table border="1"> <thead> <tr> <th>H(m)</th> <th>D(m)</th> <th>E(lx)</th> </tr> </thead> <tbody> <tr><td>1.0</td><td>0.3</td><td>3320</td></tr> <tr><td>2.0</td><td>0.5</td><td>830</td></tr> <tr><td>3.0</td><td>0.8</td><td>369</td></tr> </tbody> </table> <p>3320 cd</p>	H(m)	D(m)	E(lx)	1.0	0.3	3320	2.0	0.5	830	3.0	0.8	369	<p>ErP Class A</p> <p>CoB 700lm 450mA WW 24°</p> <table border="1"> <thead> <tr> <th>H(m)</th> <th>D(m)</th> <th>E(lx)</th> </tr> </thead> <tbody> <tr><td>1.0</td><td>0.4</td><td>2270</td></tr> <tr><td>2.0</td><td>0.9</td><td>568</td></tr> <tr><td>3.0</td><td>1.3</td><td>252</td></tr> </tbody> </table> <p>2270 cd</p>	H(m)	D(m)	E(lx)	1.0	0.4	2270	2.0	0.9	568	3.0	1.3	252	<p>CoB 700lm 450mA WW 36°</p> <table border="1"> <thead> <tr> <th>H(m)</th> <th>D(m)</th> <th>E(lx)</th> </tr> </thead> <tbody> <tr><td>1.0</td><td>0.6</td><td>1310</td></tr> <tr><td>2.0</td><td>1.3</td><td>328</td></tr> <tr><td>3.0</td><td>1.9</td><td>146</td></tr> </tbody> </table> <p>1310 cd</p>	H(m)	D(m)	E(lx)	1.0	0.6	1310	2.0	1.3	328	3.0	1.9	146													
H(m)	D(m)	E(lx)																																																	
1.0	0.3	3320																																																	
2.0	0.5	830																																																	
3.0	0.8	369																																																	
H(m)	D(m)	E(lx)																																																	
1.0	0.4	2270																																																	
2.0	0.9	568																																																	
3.0	1.3	252																																																	
H(m)	D(m)	E(lx)																																																	
1.0	0.6	1310																																																	
2.0	1.3	328																																																	
3.0	1.9	146																																																	

CEILING LIGHTS

COLOR : WU BK SY



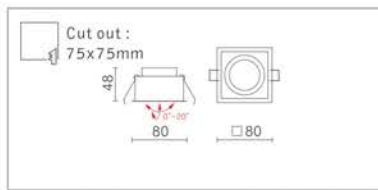
Halogen MR-16, available.



DL-812SN



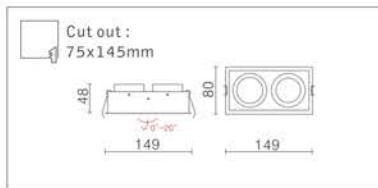
Halogen MR-16, available.



DL-812SD



Halogen MR-16, available.

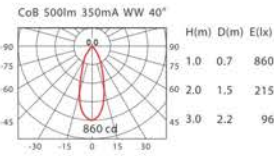
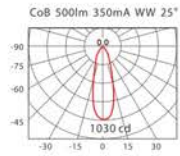


DL-822SD

REPLACE HALOGEN LAMP WITH LED LIGHT SOURCE, ERP CLASS WILL UP TO A.



MD-A35 (500lm)



CEILING LIGHTS



Features

- Deep body design for visual comfort.
- Pre-installation housing is easier for customer to install the luminaire and change lamp bulb.
- 355° rotating and 30° tilting.
- Special light shield design prevent light emitting from the back on the ceiling side.
- Good for MR-16 and LED retrofit.

Application

Elegant light distribution and anti-dazzle design for restaurant, dining room, hotel, living room and reception area.

FUNCTION

LIGHT HEAD
30° tilt.

ACCESSORIES

		
	Honeycomb AC-881	Matte glass
MD-B001	•	•



MATERIAL

LIGHT HEAD
Aluminium, paint.


MOUNTING RING
Steel, paint


PRE-INSTALL HOUSING
Aluminium, paint

PRE-INSTALLATION HOUSING



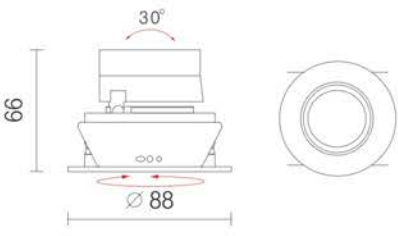
DW-881








Halogen MR-16, GU-10 or GZ-10 or LED retrofit lamp available

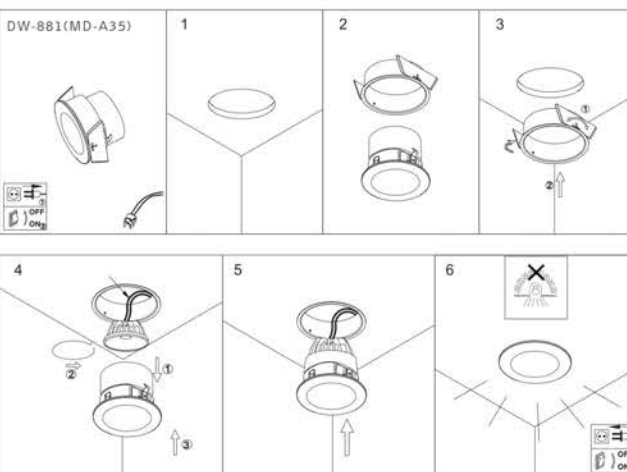
Cut out :
Ø75



REPLACE HALOGEN LAMP WITH LED LIGHT SOURCE, ERP CLASS WILL UP TO A.

 <p>MD-A35 (500lm)</p> <p>ErP Class A</p> <p>CoB 500lm 350mA WW 25°</p> <table border="1"> <thead> <tr> <th>H(m)</th> <th>D(m)</th> <th>E(lx)</th> </tr> </thead> <tbody> <tr><td>1.0</td><td>0.4</td><td>1030</td></tr> <tr><td>2.0</td><td>0.9</td><td>258</td></tr> <tr><td>3.0</td><td>1.3</td><td>114</td></tr> </tbody> </table> <p>1030 cd</p>	H(m)	D(m)	E(lx)	1.0	0.4	1030	2.0	0.9	258	3.0	1.3	114	 <p>MD-B001 (800lm)</p> <p>ErP Class A</p> <p>CoB 800lm 500mA WW 25°</p> <table border="1"> <thead> <tr> <th>H(m)</th> <th>D(m)</th> <th>E(lx)</th> </tr> </thead> <tbody> <tr><td>1.0</td><td>0.4</td><td>1460</td></tr> <tr><td>2.0</td><td>0.9</td><td>365</td></tr> <tr><td>3.0</td><td>1.3</td><td>162</td></tr> </tbody> </table> <p>1460 cd</p>	H(m)	D(m)	E(lx)	1.0	0.4	1460	2.0	0.9	365	3.0	1.3	162																																				
H(m)	D(m)	E(lx)																																																											
1.0	0.4	1030																																																											
2.0	0.9	258																																																											
3.0	1.3	114																																																											
H(m)	D(m)	E(lx)																																																											
1.0	0.4	1460																																																											
2.0	0.9	365																																																											
3.0	1.3	162																																																											
 <p>MD-D001 (700lm)</p> <p>ErP Class A</p> <p>CoB 700lm 450mA WW 15°</p> <table border="1"> <thead> <tr> <th>H(m)</th> <th>D(m)</th> <th>E(lx)</th> </tr> </thead> <tbody> <tr><td>1.0</td><td>0.3</td><td>3320</td></tr> <tr><td>2.0</td><td>0.5</td><td>830</td></tr> <tr><td>3.0</td><td>0.8</td><td>369</td></tr> </tbody> </table> <p>3320 cd</p>	H(m)	D(m)	E(lx)	1.0	0.3	3320	2.0	0.5	830	3.0	0.8	369	<p>CoB 500lm 350mA WW 40°</p> <table border="1"> <thead> <tr> <th>H(m)</th> <th>D(m)</th> <th>E(lx)</th> </tr> </thead> <tbody> <tr><td>1.0</td><td>0.7</td><td>860</td></tr> <tr><td>2.0</td><td>1.5</td><td>215</td></tr> <tr><td>3.0</td><td>2.2</td><td>96</td></tr> </tbody> </table> <p>860 cd</p> <p>CoB 800lm 500mA WW 40°</p> <table border="1"> <thead> <tr> <th>H(m)</th> <th>D(m)</th> <th>E(lx)</th> </tr> </thead> <tbody> <tr><td>1.0</td><td>0.7</td><td>1160</td></tr> <tr><td>2.0</td><td>1.5</td><td>290</td></tr> <tr><td>3.0</td><td>2.2</td><td>129</td></tr> </tbody> </table> <p>1160 cd</p> <p>CoB 700lm 450mA WW 24°</p> <table border="1"> <thead> <tr> <th>H(m)</th> <th>D(m)</th> <th>E(lx)</th> </tr> </thead> <tbody> <tr><td>1.0</td><td>0.4</td><td>2270</td></tr> <tr><td>2.0</td><td>0.9</td><td>568</td></tr> <tr><td>3.0</td><td>1.3</td><td>252</td></tr> </tbody> </table> <p>2270 cd</p> <p>CoB 700lm 450mA WW 36°</p> <table border="1"> <thead> <tr> <th>H(m)</th> <th>D(m)</th> <th>E(lx)</th> </tr> </thead> <tbody> <tr><td>1.0</td><td>0.6</td><td>1310</td></tr> <tr><td>2.0</td><td>1.3</td><td>328</td></tr> <tr><td>3.0</td><td>1.9</td><td>146</td></tr> </tbody> </table> <p>1310 cd</p>	H(m)	D(m)	E(lx)	1.0	0.7	860	2.0	1.5	215	3.0	2.2	96	H(m)	D(m)	E(lx)	1.0	0.7	1160	2.0	1.5	290	3.0	2.2	129	H(m)	D(m)	E(lx)	1.0	0.4	2270	2.0	0.9	568	3.0	1.3	252	H(m)	D(m)	E(lx)	1.0	0.6	1310	2.0	1.3	328	3.0	1.9	146
H(m)	D(m)	E(lx)																																																											
1.0	0.3	3320																																																											
2.0	0.5	830																																																											
3.0	0.8	369																																																											
H(m)	D(m)	E(lx)																																																											
1.0	0.7	860																																																											
2.0	1.5	215																																																											
3.0	2.2	96																																																											
H(m)	D(m)	E(lx)																																																											
1.0	0.7	1160																																																											
2.0	1.5	290																																																											
3.0	2.2	129																																																											
H(m)	D(m)	E(lx)																																																											
1.0	0.4	2270																																																											
2.0	0.9	568																																																											
3.0	1.3	252																																																											
H(m)	D(m)	E(lx)																																																											
1.0	0.6	1310																																																											
2.0	1.3	328																																																											
3.0	1.9	146																																																											

INSTRUCTIONS of DW-881(MD-A35)



DW-881(MD-B001)



Better Light shield Design:
The special light shield design prevent light emitting from the back on the ceiling side at each tilting angles.

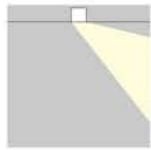
Available light source:
MR-16 type.
LED, CoB or Halogen.

Accessories
Honeycomb/matte glass.

Separate light head:
Rotatable in the mounting ring.

CEILING LIGHTS

COLOR : WU BK SY



30° tilt



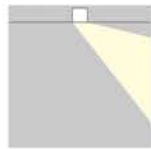
DW-932B



DW-932C



DW-932D



30° tilt



DW-933I



DW-933J



DW-933K

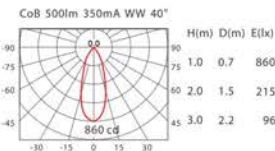
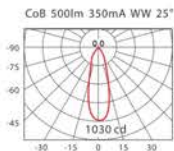


REPLACE HALOGEN LAMP WITH LED LIGHT SOURCE, ERP CLASS WILL UP TO A.



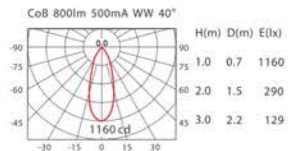
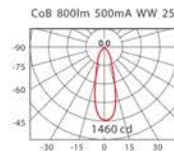
MD-A35
(500lm)

ErP
Class
A



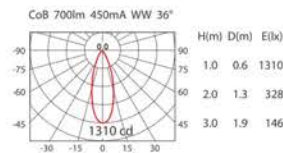
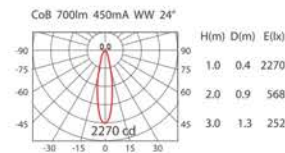
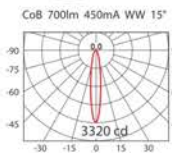
MD-B001
(800lm)

ErP
Class
A



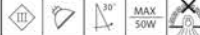

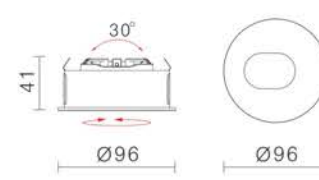
MD-D001
(700lm)

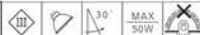

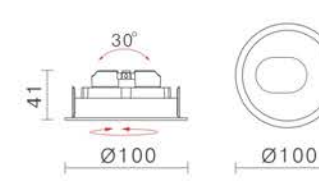
ErP
Class
A

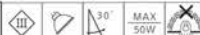

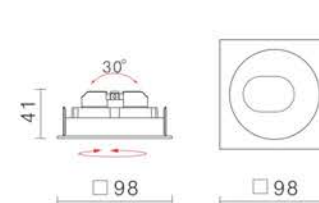


CEILING LIGHTS

COLOR : WU BK SY

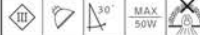

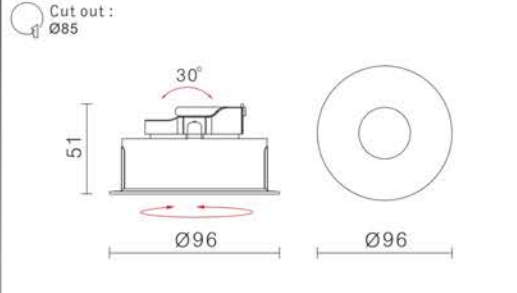
DW-932B		Halogen MR-16, GU-10 or GZ-10 or LED retrofit lamp available
	<p>Cut out : Ø85</p> 	<p>LAMP MR-16 (QR-CBC51)</p> <p>BASE GU5.3</p> <p>POWER 50W</p> <p>INPUT 12V</p>

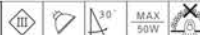

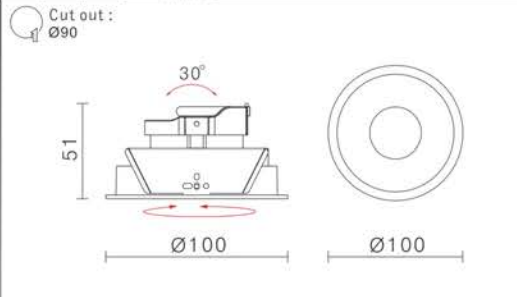
DW-932C		Halogen MR-16, GU-10 or GZ-10 or LED retrofit lamp available
	<p>Cut out : Ø90</p> 	<p>LAMP MR-16 (QR-CBC51)</p> <p>BASE GU5.3</p> <p>POWER 50W</p> <p>INPUT 12V</p>

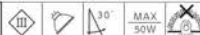

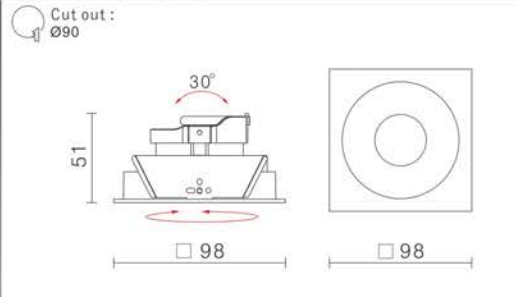
DW-932D		Halogen MR-16, GU-10 or GZ-10 or LED retrofit lamp available
	<p>Cut out : Ø90</p> 	<p>LAMP MR-16 (QR-CBC51)</p> <p>BASE GU5.3</p> <p>POWER 50W</p> <p>INPUT 12V</p>

CEILING LIGHTS

COLOR : WU BK SY


DW-933I		Halogen MR-16, GU-10 or GZ-10 or LED retrofit lamp available
	<p>Cut out : Ø85</p> 	<p>LAMP MR-16 (QR-CBC51)</p> <p>BASE GU5.3</p> <p>POWER 50W</p> <p>INPUT 12V</p>

DW-933J		Halogen MR-16, GU-10 or GZ-10 or LED retrofit lamp available
	<p>Cut out : Ø90</p> 	<p>LAMP MR-16 (QR-CBC51)</p> <p>BASE GU5.3</p> <p>POWER 50W</p> <p>INPUT 12V</p>


DW-933K		Halogen MR-16, GU-10 or GZ-10 or LED retrofit lamp available
	<p>Cut out : Ø90</p> 	<p>LAMP MR-16 (QR-CBC51)</p> <p>BASE GU5.3</p> <p>POWER 50W</p> <p>INPUT 12V</p>

CEILING LIGHTS

COLOR : WU BK SY LED COLOR : WW NW

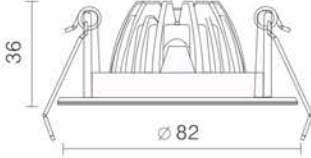
DA-A35N  **IP44 on the front.**

Cut out : Ø68



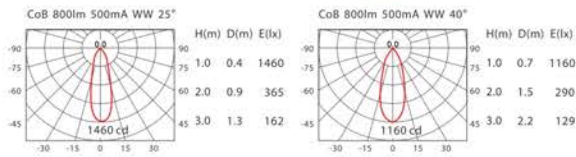
ErP Class **A** 500lm *800lm


Fixed, IP44.




LED
SHARP CoB

POWER
*7.5W (500mA, 15V)
*800lm for standard application



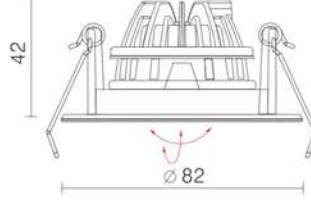
DA-A35D  **IP44 on the front.**

Cut out : Ø68



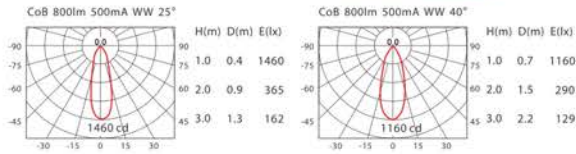
ErP Class **A** 500lm *800lm

Adjustable / With IP44 accessory

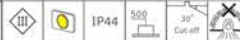


LED
SHARP CoB


POWER
*7.5W (500mA, 15V)
*800lm for standard application



AC-A35
Lampshade for DA-A35D
Upgrade to IP44 on the front.

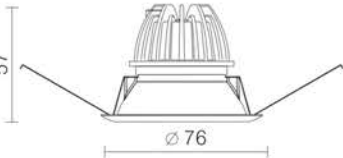
DA-A35C  **IP44 on the front.**

Cut out : Ø68



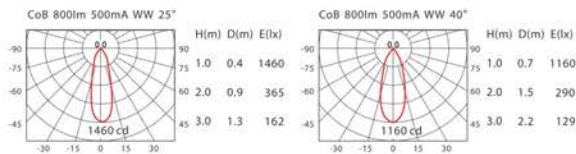
ErP Class **A** 500lm *800lm

Deep, glare control.



LED
SHARP CoB

POWER
*7.5W (500mA, 15V)
*800lm for standard application



CEILING LIGHTS



DA-501C
(1300lm)



DA-501S
(1300lm)



DA-511C
(1300lm)



DA-401C
(1300lm)




DW-401C
(1300lm)



CEILING LIGHTS


COLOR : WU BK SY LED COLOR : WW NW

DA-501C  **IP44** **500** **30° Cut-off** **30° Cut-off** **IP44 on the front.**

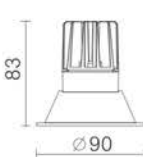
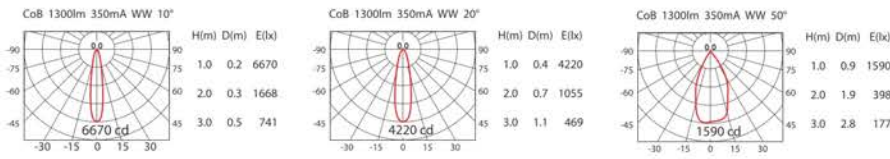
LED
SHARP CoB


POWER
13W (350mA, 37V)

Cut out : $\varnothing 80$



ErP Class **A** 1300lm





DA-501S  **IP44** **500** **30° Cut-off** **30° Cut-off** **IP44 on the front.**

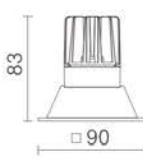
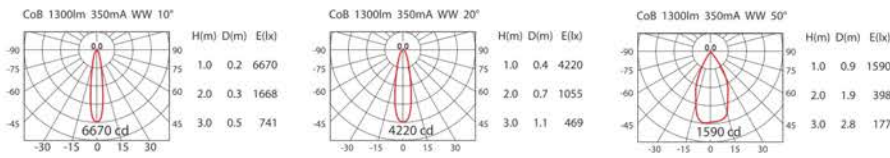
LED
SHARP CoB

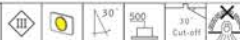
POWER
13W (350mA, 37V)

Cut out : $\varnothing 80$



ErP Class **A** 1300lm





DA-511C  **IP44** **500** **30° Cut-off** **30° Cut-off** **IP44 on the front.**

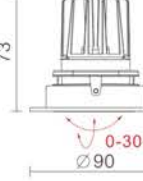
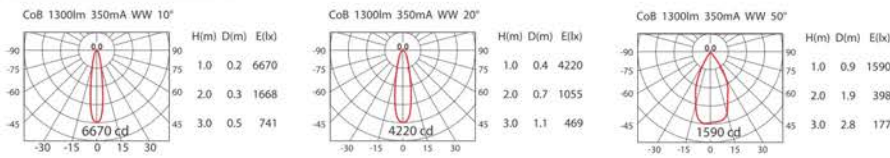
LED
SHARP CoB

POWER
13W (350mA, 37V)

Cut out : $\varnothing 80$




ErP Class **A** 1300lm

CEILING LIGHTS

COLOR : WU BK SY LED COLOR : WW NW

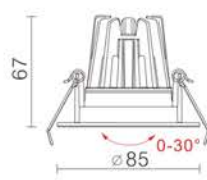
DA-401C



ErP Class **A**

1300lm

Cut out : $\varnothing 68$

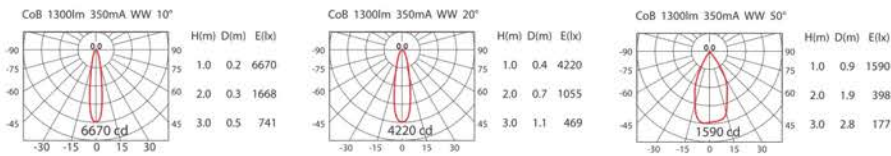


LED


SHARP CoB

POWER

13W (350mA, 37V)



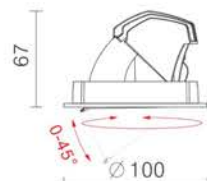
DW-401C



ErP Class **A**

1300lm

Cut out : $\varnothing 92$

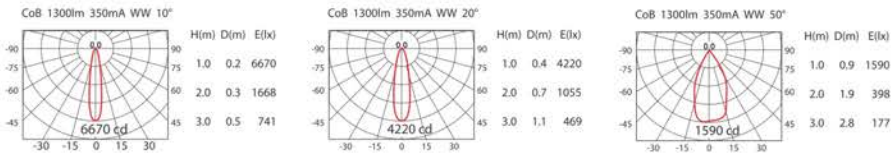


LED

SHARP CoB


POWER

13W (350mA, 37V)




CEILING LIGHTS


COLOR : WU BK SY LED COLOR : WW NW

DG-125C  **IP44 on the front.**

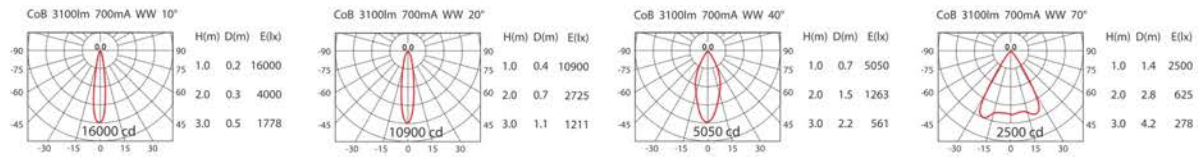
Cut out : $\varnothing 125$




ErP Class A **1700lm**
*3100lm




LED
CITIZEN CoB
POWER
*25.5W(700mA,36V)
*3100lm for standard application

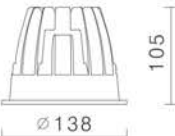


DG-126C  **IP44 on the front.**

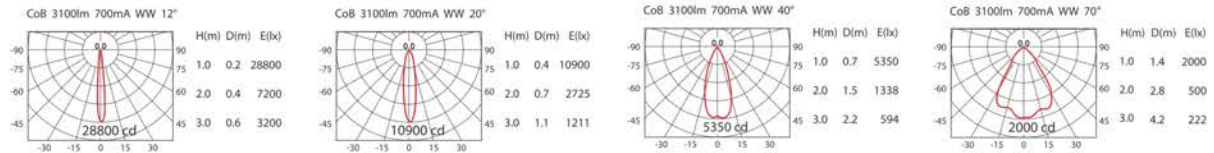
Cut out : $\varnothing 125$




ErP Class A **1700lm**
*3100lm




LED
CITIZEN CoB
POWER
*25.5W(700mA,36V)
*3100lm for standard application

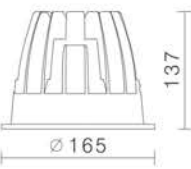


DG-150C  **IP44 on the front.**

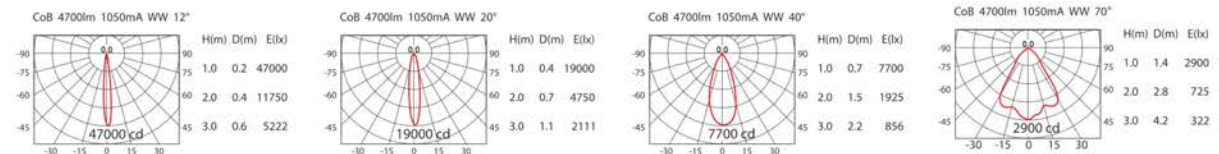
Cut out : $\varnothing 150$



ErP Class A **3100lm**
3800lm
*4700lm



LED
CITIZEN CoB
POWER
*38W(1050mA,36V)
*4700lm for standard application

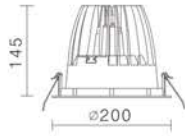


CEILING LIGHTS

COLOR : WK BJ LED COLOR : WW NW



4700lm
*6000lm



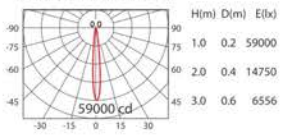
DG-175C IP44 on the front.

CoB	POWER	LED COLOR	COLOR
CITIZEN	52W(1400mA, 37V)	<input checked="" type="checkbox"/> WW <input type="checkbox"/> NW	<input type="checkbox"/> WK <input checked="" type="checkbox"/> BJ

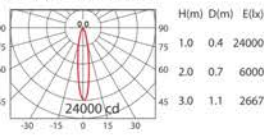
Material: aluminum, paint.
Reflector: pure aluminium layer, mirror-finish anodized.



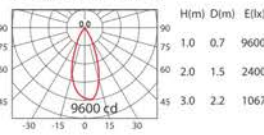
CoB 6000lm 1400mA WW 12°



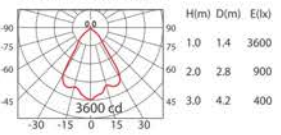
CoB 6000lm 1400mA WW 20°



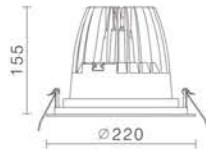
CoB 6000lm 1400mA WW 40°



CoB 6000lm 1400mA WW 70°



4700lm
*6000lm



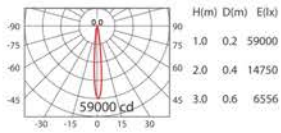
DG-200C IP44 on the front.

CoB	POWER	LED COLOR	COLOR
CITIZEN	52W(1400mA, 37V)	<input checked="" type="checkbox"/> WW <input type="checkbox"/> NW	<input type="checkbox"/> WK <input checked="" type="checkbox"/> BJ

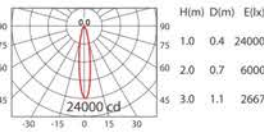
Material: aluminum, paint.
Reflector: pure aluminium layer, mirror-finish anodized.



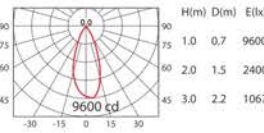
CoB 6000lm 1400mA WW 12°



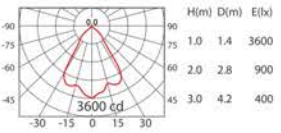
CoB 6000lm 1400mA WW 20°



CoB 6000lm 1400mA WW 40°



CoB 6000lm 1400mA WW 70°



CEILING LIGHTS



DG-911C
(1200lm)



DG-912C
(1200lm)



DG-913C
(1700lm)
(*2500lm)



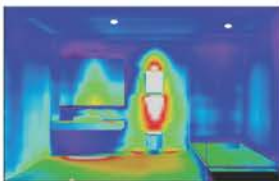
DG-914C
(2500lm)
(*3800lm)



DG-915C
(3800lm)

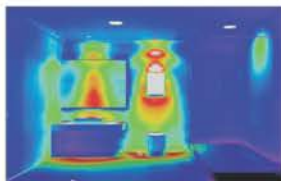


LED & CoB



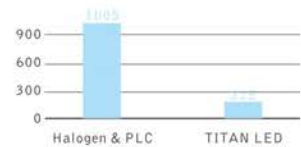
Accent lighting: 2 x LED 1.2W x 3
General lighting: 2 x CoB 13W
Total: 36.8W

HALOGEN & PLC



Accent lighting: 2 x MR-16 50W
General lighting: 4 x PLC 18W
Total: 172W

ENERGY SAVING EFFECT




■ kW•h/year

16 hours one day, saving energy 790kW•h for 365 days.

CEILING LIGHTS


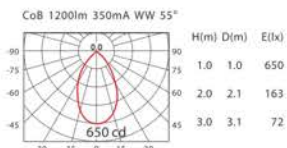
COLOR : WU BK SY LED COLOR : WW NW

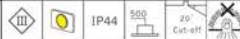
DG-911C  **IP44** **500** **20° Cut-off** **20° Cut-off** **IP44 on the front.**

LED
SHARP CoB
POWER
13W (350mA, 37V)

ErP Class **A** 1200lm

Cut out : Ø75

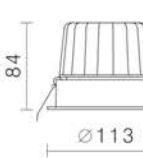
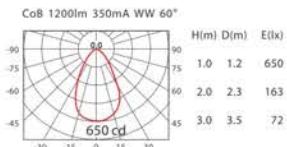




DG-912C  **IP44** **500** **20° Cut-off** **20° Cut-off** **IP44 on the front.**

LED
SHARP CoB
POWER
13W (350mA, 37V)

ErP Class **A** 1200lm

Cut out : Ø100

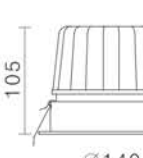
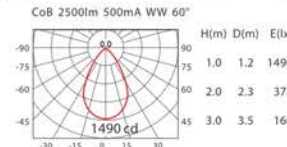



DG-913C  **IP44** **500** **20° Cut-off** **20° Cut-off** **IP44 on the front.**

LED
CITIZEN CoB
POWER
*18W(500mA)
*2500lm for standard application


ErP Class **A** 1700lm *2500lm

Cut out : Ø125

CEILING LIGHTS

COLOR : WU BK SY LED COLOR : WW NW

DG-914C  **IP44** **500** **20 Cut-off** **IP44 on the front.**

LED

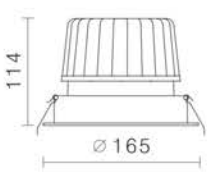
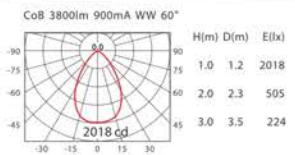
CITIZEN CoB


POWER

*34W(900mA,37V)
*3800lm for standard application

ErP Class **A** 2500lm *3800lm

Cut out : Ø150

DG-915C  **IP44** **500** **20 Cut-off** **IP44 on the front.**

LED

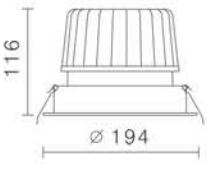
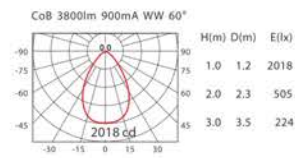
CITIZEN CoB

POWER

34W(900mA,37V)

ErP Class **A** 3800lm

Cut out : Ø175

CEILING LIGHTS



Features

- Square Luminaire with round-shape body, easy for installer to make precise round cut-out hole compared to the square cut-out.
- Stylish square Led down light series with sufficient lumen to replace square PLC down light.
- The whole luminaire body are with die-casting alumina providing the lighting design with very compact and solid high-end effect.
- The latest OSRAM LED technology offer high energy saving solution.
- Good thermal management ensure long life time span, 50,000 hours design spec.
- High efficient diffuser with special structure surface design provides uniform light emitting result.
- Two product series with 15 and 20 degree deep cut-off angle and 75 degree beam distribution for visual comfort and light effect.
- Design with different constant-current drivers to meet different lumen request.
- IP44 protection on the front provide customer a better solution in special application.
- Two springs on the sides of round-shaped body, very easy to install into a round cut-out hole.

Application

General lighting for commercial application, museum and art gallery. Also, it is good for home application.

FUNCTION

Anti-dazzle design, cut off angle 15°.

MATERIAL

Aluminium, paint.

EASY TO INSTALLATION

Cut-out :



Square luminaire with round-shaped body, easy to be installed by round cut-out.

CEILING LIGHTS



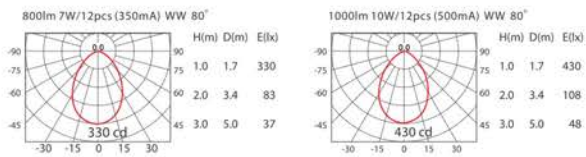
REPLACE Halogen / CFL

○ series						
	DG-201S/DG-212S		DG-203S/DG-214S		DG-205/DG-216	
	Lumen	Replace Halogen	Lumen	Replace CFL	Lumen	Replace CFL
350mA	800lm	GU-10/MR-16/PLC 13W (35W/50W)	/	/	/	/
500mA	1000lm	GU-10/MR-16/PLC 18W (50W)	2100lm	CFL 2*18W CFL 1*32W	2100lm *DG-205S *DG-216S	CFL 2*18W CFL 1*32W
700mA	/	/	2700lm	CFL 2*26W CFL 1*42W	2700lm *DG-205S *DG-216S	CFL 2*26W CFL 1*42W
700mA	/	/	/	/	3500lm *DG-205A *DG-216A	CFL 2*32W
1050mA	/	/	/	/	4800lm *DG-205A *DG-216A	CFL 2*42W

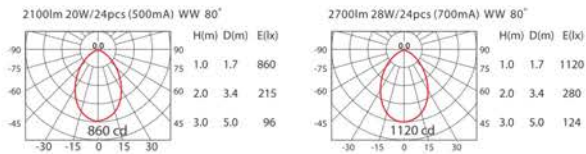
CEILING LIGHTS

COLOR : WK BJ LED COLOR : WW NW

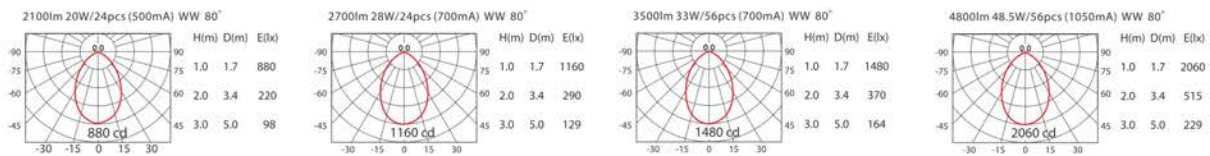
DG-201S		LED / Pieces OSRAM / 12pcs
<p>ErP Class A</p> <p>800lm 1000lm</p>	Cut out : Ø68	POWER 7W, 350mA (17.4 - 20.4V) 10W, 500mA



DG-203S		LED / Pieces OSRAM / 24pcs
<p>ErP Class A</p> <p>2100lm 2700lm</p>	Cut out : Ø125	POWER 20W, 500mA (34.8 - 40.8V) 28W, 700mA





DG-205S/A		LED / Pieces OSRAM / 24pcs (DG-205S) OSRAM / 56pcs (DG-205A)
<p>ErP Class A</p> <p>2100lm 2700lm 3500lm 4800lm</p>	Cut out : Ø175	POWER DG-205S: 20W, 500mA (24pcs, 34.8 - 40.8V) 28W, 700mA DG-205A:(Big Lumen Package) 33W, 700mA (56pcs, 40.6 - 47.6V) 48.5W, 1050mA




CEILING LIGHTS

COLOR : WK BJ LED COLOR : WW NW

DG-212S  IP44 20° Cut-off 20/20K **IP44 on the front.**

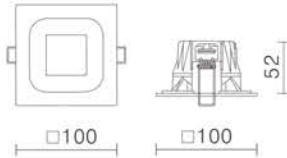
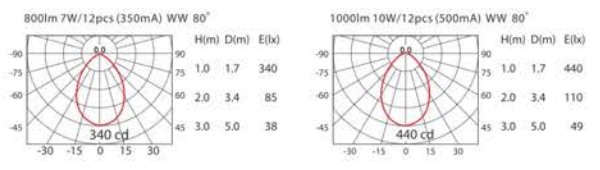
Cut out :  Ø90

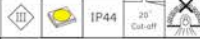



LED / Pieces
OSRAM / 12pcs

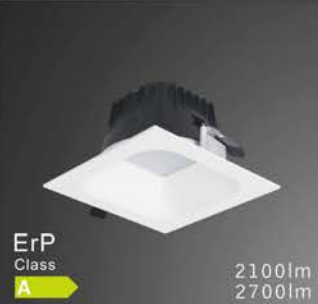
POWER
7W, 350mA (17.4 - 20.4V)
10W, 500mA

ErP Class **A** 800lm
1000lm

DG-214S  IP44 20° Cut-off 20/20K **IP44 on the front.**

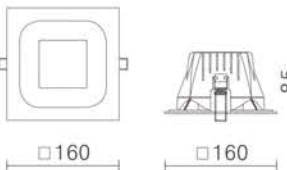
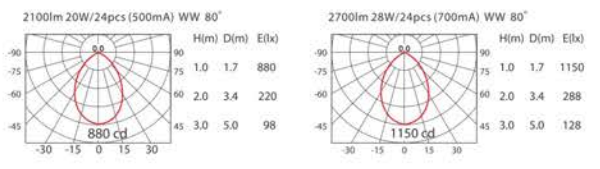
Cut out :  Ø150





LED / Pieces
OSRAM / 24pcs


POWER
20W, 500mA (34.8 - 40.8V)
28W, 700mA

ErP Class **A** 2100lm
2700lm

DG-216S/A  IP44 20° Cut-off 20/20K **IP44 on the front.**

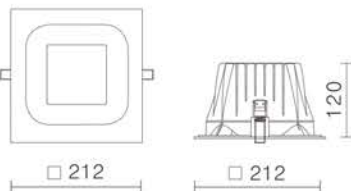
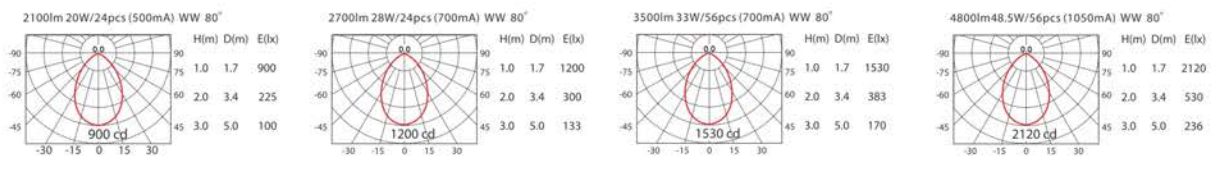
Cut out :  Ø200



LED / Pieces
OSRAM / 24pcs (DG-216S)
OSRAM / 56pcs (DG-216A)

POWER
DG-216S:
20W, 500mA (24pcs, 34.8 - 40.8V)
28W, 700mA
DG-216A:(Big Lumen Package)
33W, 700mA (56pcs, 40.6 - 47.6V)
48.5W, 1050mA

ErP Class **A** 2100lm
2700lm
3500lm
4800lm



DG-604S

Hyper Energy Saving

LED: **800lm@ 7W** (350mA)
1000lm@10W (500mA)
1500lm@14W (350mA)
2100lm@20W (500mA)
2700lm@28W (700mA)

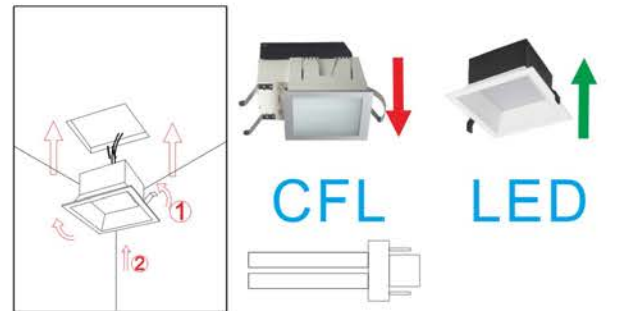
Hyper Long Lifespan

CoB: **50,000** hours
 Low Maintenance Cost

■ Features

- Economic luminaire design with different lumen package to replace existed Halogen lamp (50W) and PLC down light from 1*10W up to 2*26W.
- Products of full range size ready for different cut out request.
- Easy change driver to meet different lighting lumen applications.
- Deep Cut-off angle and 80 degree beam distribution provide good lighting effect and glaring control.
- High-efficient Diffuser with special structure surface create very uniform light emitting surface.
- Good thermal management ensure long life time span, 50,000 hours design spec.
- Two springs on the sides, very easy to replace the existed PLC down light.

CFL REPLACED



■ Application

General lighting for residential and commercial application, especially good for high-end but budget oriented projects.

REPLACE Halogen / CFL

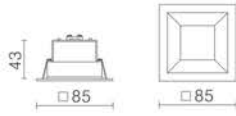
○ series	DG-603S		DG-604S		DG-606S		DG-607S	
	Lumen package(PCB)	Replace Halogen	Lumen package(PCB)	Replace CFL	Lumen package(PCB)	Replace CFL	Lumen package(PCB)	Replace CFL
350mA	800lm 4*3(12pcs) (17.4v-20.4v) 7W	GU-10/MR-16 (35W/50W) PLC13W	1500lm 4*6(24pcs) (34.8v-40.8v) 14W	CFL 2 * 13W CFL 1 * 18W				
500mA	1000lm 4*3(12pcs) (17.4v-20.4v) 10W	GU-10/MR-16 (50W) PLC18W	2100lm 4*6(24pcs) (34.8v-40.8v) 20W	CFL 2 * 18W CFL 1 * 32W	2100lm 4*6(24pcs) (34.8v-40.8v) 20W	CFL 2 * 18W CFL 1 * 32W	2100lm 4*6(24pcs) (34.8v-40.8v) 20W	CFL 2 * 18W CFL 1 * 32W
700mA					2700lm 4*6(24pcs) (34.8v-40.8v) 28W	CFL 2 * 26W CFL 1 * 42W	2700lm 4*6(24pcs) (34.8v-40.8v) 28W	CFL 2 * 26W CFL 1 * 42W

CEILING LIGHTS

COLOR : WU BK SY LED COLOR : WW NW



800lm
*1000lm



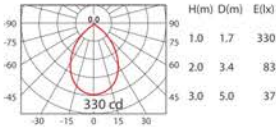
DG-603S

LED/Pieces	POWER	LED COLOR	COLOR
OSRAM/12pcs	7W(350mA) 10W(500mA) 17.4V-20.4V	<input type="checkbox"/> WW <input type="checkbox"/> NW	<input type="checkbox"/> WU <input type="checkbox"/> BK <input type="checkbox"/> SY

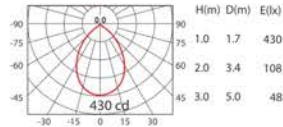
Mounting: PC, paint.



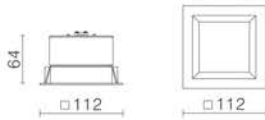
800lm 7W/12pcs(350mA) WW 80°



1000lm 10W/12pcs(500mA) WW 80°



1500lm
*2100lm



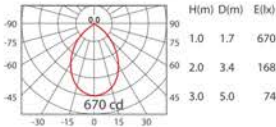
DG-604S

LED/Pieces	POWER	LED COLOR	COLOR
OSRAM/24pcs	14W(350mA) 20W(500mA) 34.8V-40.8V	<input type="checkbox"/> WW <input type="checkbox"/> NW	<input type="checkbox"/> WU <input type="checkbox"/> BK <input type="checkbox"/> SY

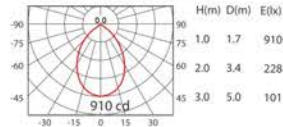
Mounting: PC, paint.



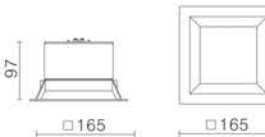
1500lm 14W/24pcs(350mA) WW 80°



2100lm 20W/24pcs(500mA) WW 80°



2100lm
*2700lm



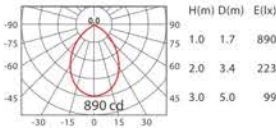
DG-606S

LED/Pieces	POWER	LED COLOR	COLOR
OSRAM/24pcs	20W(500mA) 28W(700mA) 34.8V-40.8V	<input type="checkbox"/> WW <input type="checkbox"/> NW	<input type="checkbox"/> WU <input type="checkbox"/> BK <input type="checkbox"/> SY

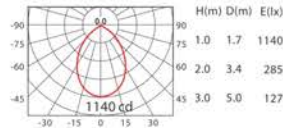
Mounting: PC, paint.



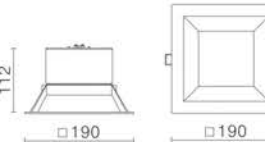
2100lm 20W/24pcs(500mA) WW 80°



2700lm 28W/24pcs(700mA) WW 80°



2100lm
*2700lm



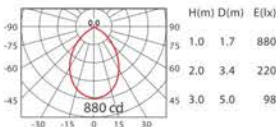
DG-607S

LED/Pieces	POWER	LED COLOR	COLOR
OSRAM/24pcs	20W(500mA) 28W(700mA) 34.8V-40.8V	<input type="checkbox"/> WW <input type="checkbox"/> NW	<input type="checkbox"/> WU <input type="checkbox"/> BK <input type="checkbox"/> SY

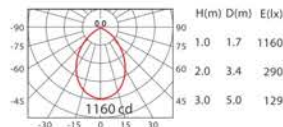
Mounting: PC, paint.



2100lm 20W/24pcs(500mA) WW 80°

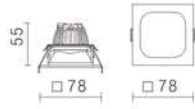


2700lm 28W/24pcs(700mA) WW 80°



CEILING LIGHTS

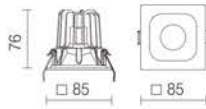
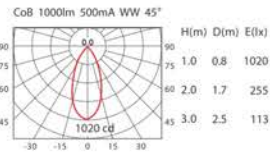
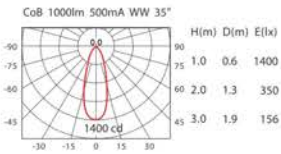
COLOR : WK BJ LED COLOR : WW NW



DA-920S IP44 on the front.

CoB	POWER	LED COLOR	COLOR
SHARP	7.5W(500mA, 15V)	WW NW	WK BJ

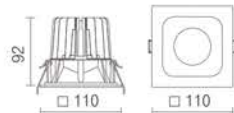
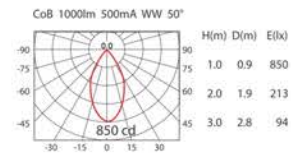
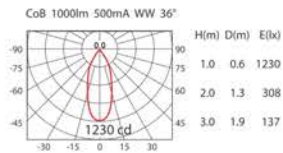
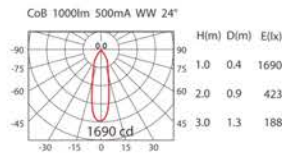
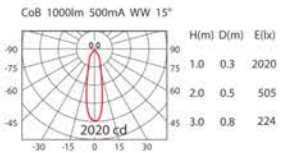
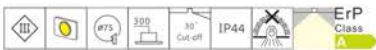
Material: aluminum, paint
Reflector: aluminum



DA-921S IP44 on the front.

CoB	POWER	LED COLOR	COLOR
SHARP	7.5W(500mA, 15V)	WW NW	WK BJ

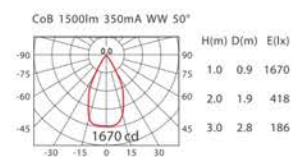
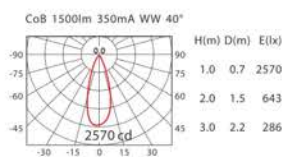
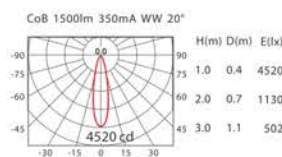
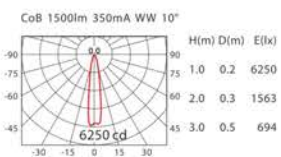
Material: aluminum, paint
Reflector: aluminum



DA-922S IP44 on the front.

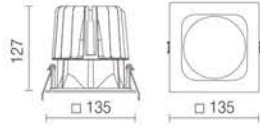
CoB	POWER	LED COLOR	COLOR
SHARP	13W(350mA, 37V)	WW NW	WK BJ

Material: aluminum, paint
Reflector: aluminum



CEILING LIGHTS

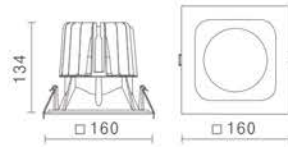
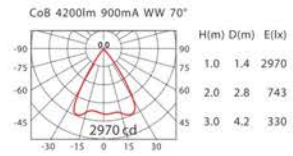
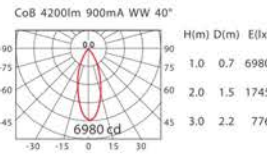
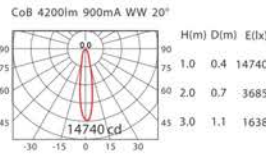
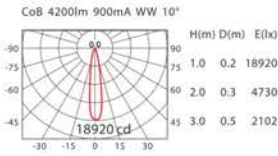
COLOR : WK BJ LED COLOR : WW NW



DA-923S IP44 on the front.

CoB	POWER	LED COLOR	COLOR
CITIZEN	34W(900mA, 37V)	WW NW	WK BJ

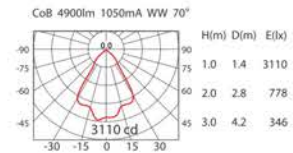
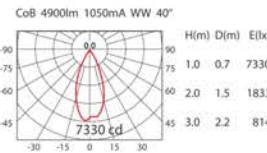
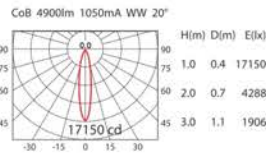
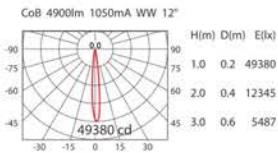
Material: aluminum, paint
Reflector: aluminum



DA-924S IP44 on the front.

CoB	POWER	LED COLOR	COLOR
CITIZEN	38W(1050mA, 36V)	WW NW	WK BJ

Material: aluminum, paint
Reflector: aluminum



CEILING LIGHTS



DA-708S
(500lm)
(*800lm)



DA-707S
(1300lm)



DA-705S
(3100lm)




DA-702S
(3800lm)
(*4700lm)



CEILING LIGHTS

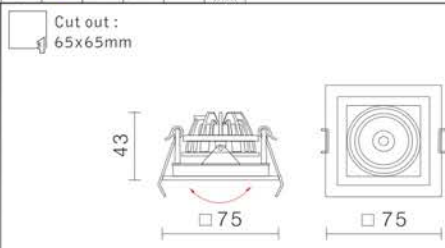
COLOR : WU BK SY LED COLOR : WW NW

DA-708S



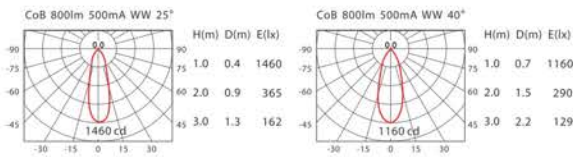
ErP Class **A** 500lm *800lm

Cut out : 65x65mm




LED
SHARP CoB

POWER
*7.5W (500mA, 15V)
*800lm for standard application

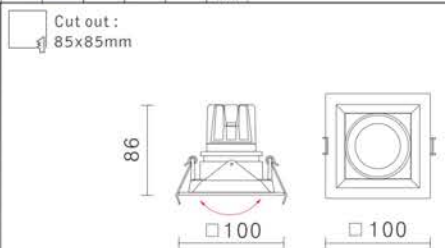


DA-707S



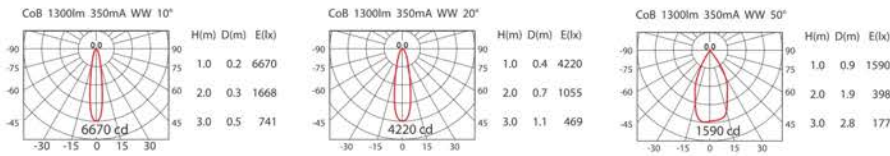
ErP Class **A** 1300lm

Cut out : 85x85mm




LED
SHARP CoB

POWER
13W (350mA, 37V)

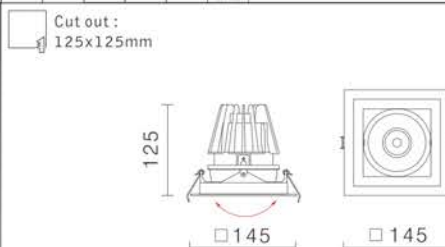


DA-705S



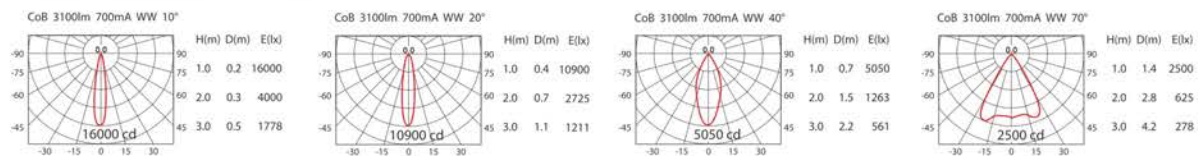
ErP Class **A** 3100lm

Cut out : 125x125mm



LED
CITIZEN CoB


POWER
25.5W(700mA, 36V)



CEILING LIGHTS

COLOR : WU BK SY LED COLOR : WW NW

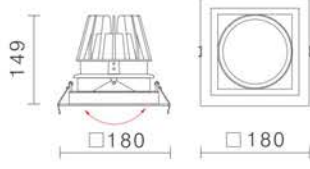
DA-702S



ErP
Class
A

3800lm
* 4700lm

Cut out:
155x155mm

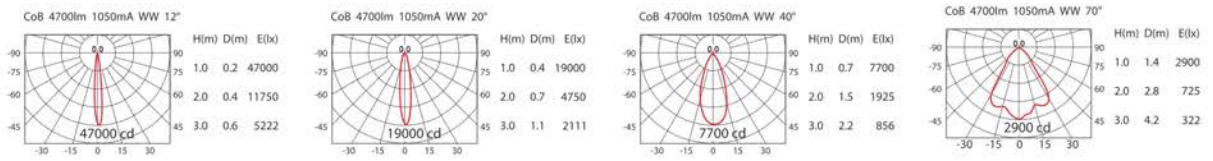


LED




CITIZEN CoB

POWER

*38W(1050mA,36V)
*4700lm for standard application



ACCESSORIES

○ Optional			
	Honeycomb	Sculptured Lens	Matte glass
DA-707S	DL-77-AC2		AC-370E
DA-705S	DL-75-AC2	AC-350D	AC-350E
DA-702S	DL-7-AC2	AC-320D	AC-320E

CEILING LIGHTS



Features

- Recessed square down light family with different size and lumen output.
- Bigger tilting angle is better for different application and spot effect.
- Double adjustable trim come with black anti-glaring ring for visual comfort.
- Cut-off angle 30 degree.
- Transparent glass on the front to protect CoB chip, very easy to clean the surface.
- Efficient thermal management guarantees a long lifespan.
- Different angles of reflector ready for different application.
- Optional accessories, honey comb, are ready for request.

Application

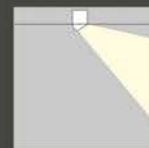
Uniform light output with spot and general lighting effect is good for retail store and show room.

FUNCTION

HOUSING
DA-870C 20° tilt.
DA-850C, DA-820C 30° tilt.

MATERIAL

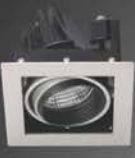
HOUSING
Steel, paint.
MOUNTING FRAME
Steel, paint.
LIGHT HEAD
Aluminum, paint..



CEILING LIGHTS

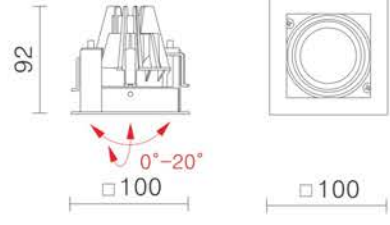
COLOR : WU BK SY LED COLOR : WW NW

DA-870C

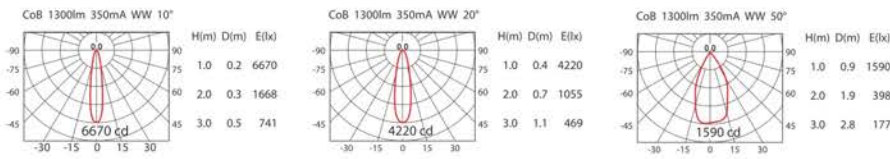


ErP Class **A** 1300lm

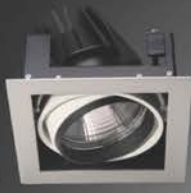
Cut out : 90x90mm



LED
SHARP CoB
POWER
13W (350mA, 37V)

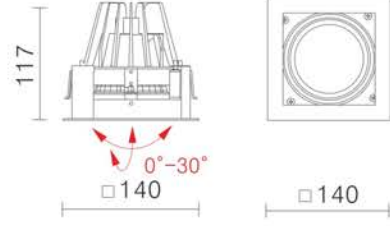


DA-850C

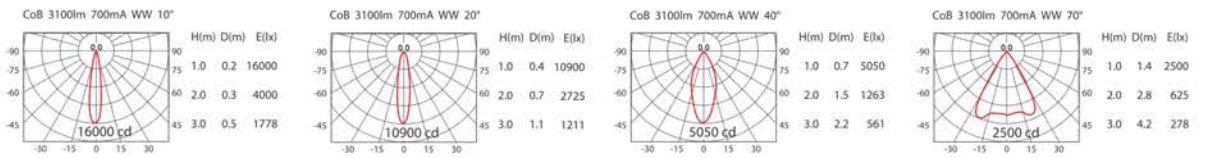


ErP Class **A** 3100lm


Cut out : 125x125mm



LED
CITIZEN CoB
POWER
25.5W(700mA,36V)

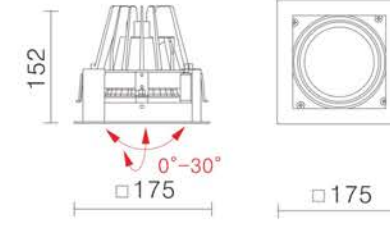


DA-820C

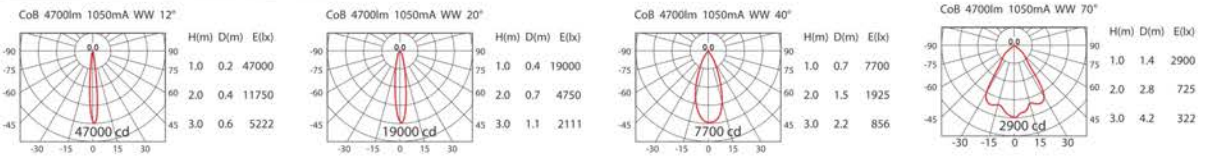


ErP Class **A** 3800lm *4700lm

Cut out : 160x160mm



LED
CITIZEN CoB
POWER
*38W(1050mA,36V)
*4700lm for standard application



CEILING LIGHTS



Features

- Recessed down light with full range of lumen output for different application.
- Front frame with deep cut-off angle design for visual comfort.
- Transparent glass on the front to protect CoB chip, very easy to clean the surface.
- Eco-friendly CoB technology is with energy saving and low maintenance cost.
- Efficient thermal management guarantees long lifespan.
- Different angles of reflector ready on request.

Application

Symmetrical and uniform light distribution is good for hotel, restaurant, showroom and retail lighting.

FUNCTION

DA-537C, DA-535C 25° tilt.
DA-532C 20° tilt.

MATERIAL

LIGHT FIXTURE
Aluminium, paint.


REFLECTOR
Pure aluminium layer 99.9%, mirror-finish anodized.



CEILING LIGHTS

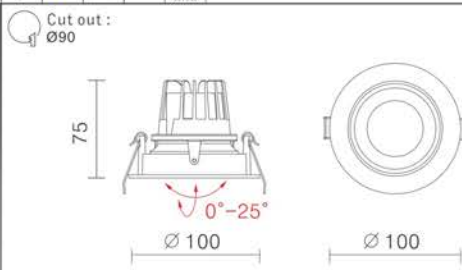
COLOR : WU BK SY LED COLOR : WW NW

DA-537C



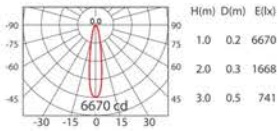
ErP Class **A** 1300lm

Cut out : $\varnothing 90$

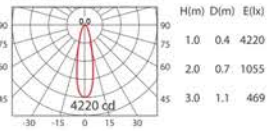


LED
SHARP CoB
POWER
13W (350mA, 37V)

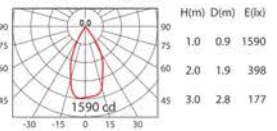
CoB 1300lm 350mA WW 10°




CoB 1300lm 350mA WW 20°



CoB 1300lm 350mA WW 50°

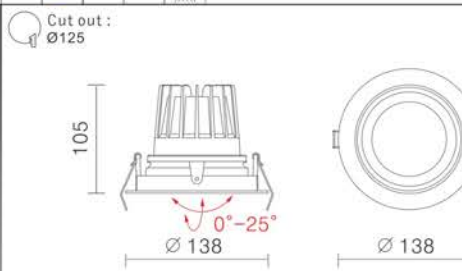


DA-535C



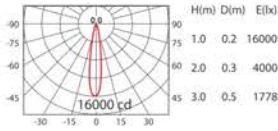
ErP Class **A** 1800lm *3100lm

Cut out : $\varnothing 125$

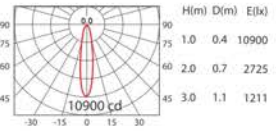


LED
CITIZEN CoB
POWER
*25.5W(700mA,36V)
*3100lm for standard application

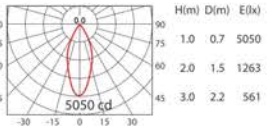
CoB 3100lm 700mA WW 10°



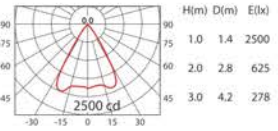
CoB 3100lm 700mA WW 20°




CoB 3100lm 700mA WW 40°



CoB 3100lm 700mA WW 70°

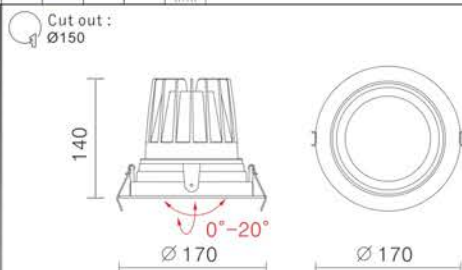


DA-532C



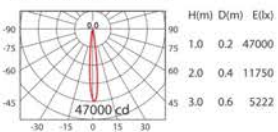
ErP Class **A** 3800lm *4700lm

Cut out : $\varnothing 150$

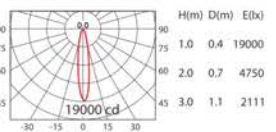


LED
CITIZEN CoB
POWER
*38W(1050mA,36V)
*4700lm for standard application

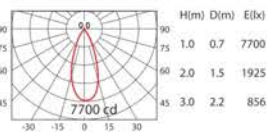
CoB 4700lm 1050mA WW 12°



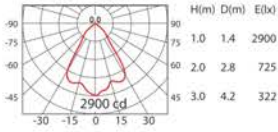
CoB 4700lm 1050mA WW 20°



CoB 4700lm 1050mA WW 40°




CoB 4700lm 1050mA WW 70°



CEILING LIGHTS

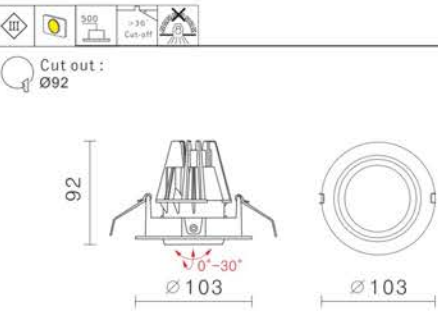
COLOR : WU BK SY LED COLOR : WW NW

DA-770C



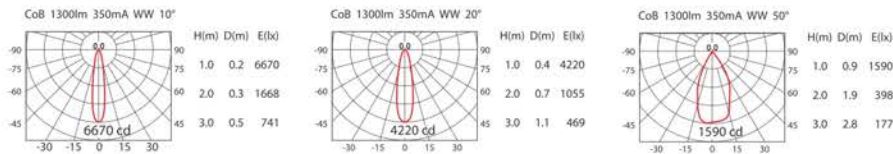
ErP Class **A** 1300lm

Cut out : $\varnothing 92$




LED
SHARP CoB

POWER
13W (350mA, 37V)

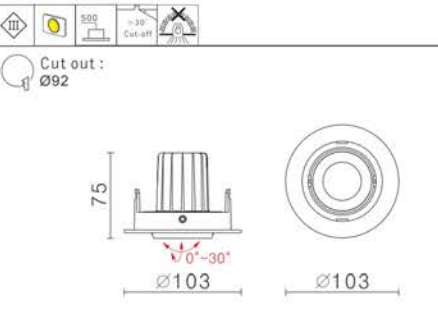


DA-771C



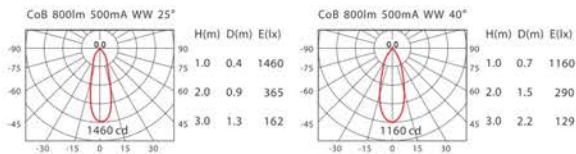
ErP Class **A** 800lm

Cut out : $\varnothing 92$




LED
SHARP CoB

POWER
7.5W (500mA, 15V)

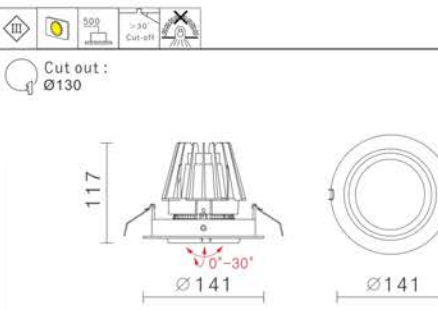


DA-750C



ErP Class **A** 3100lm

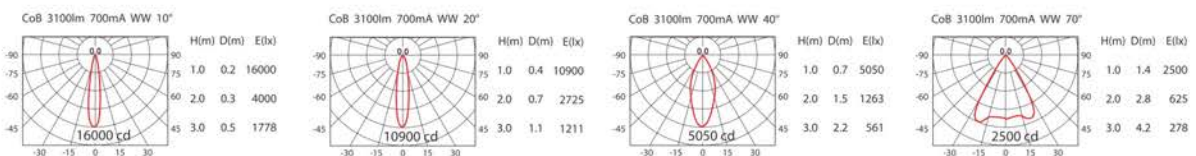
Cut out : $\varnothing 130$



LED
CITIZEN CoB

POWER
25.5W(700mA, 36V)


LED COLOR
WW NW



CEILING LIGHTS

COLOR : WU BK SY LED COLOR : WW NW

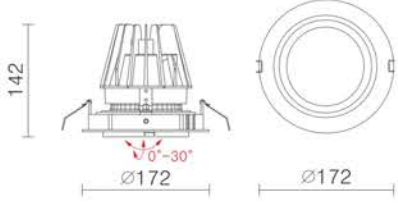
DA-720C



ErP
Class
A

3800lm
* 4700lm

Cut out :
Ø163



LED

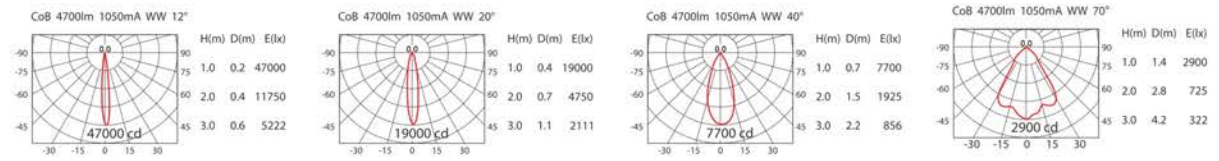
CITIZEN CoB

POWER


*38W(1050mA,36V)
*4700lm for standard application

LED COLOR

WW NW



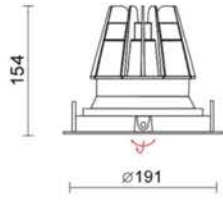
DA-710C



ErP
Class
A

3800lm
* 4700lm

Cut out :
Ø178



LED

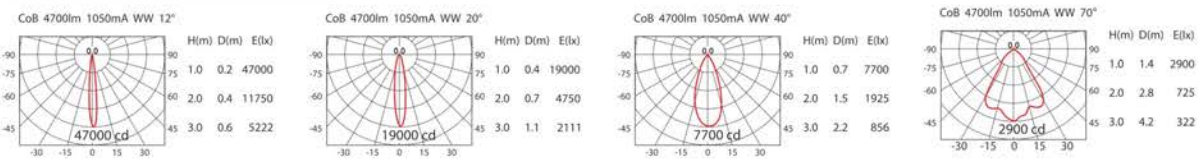
CITIZEN CoB

POWER

*38W(1050mA,36V)
*4700lm for standard application

LED COLOR

WW NW



Hyper Energy Saving

DG-F03 / DG-F03D: **350lm@3.4W** (500mA)
 DG-F02 / DG-F02D: **500lm@5.3W** (350mA)

Hyper Long Lifespan

Lifespan: **40,000** hours
 Low Maintenance Cost



DG-F03D

DG-F02D

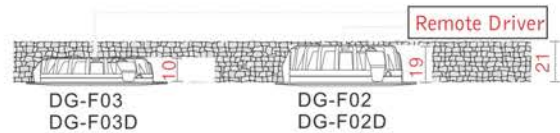
■ Features

- DG-F02 and DG-F03 series is with ultra-thin body design 19mm and 10mm, perfect fit into the limited installation depth.
- 500 and 350lm light source provide needed brightness for cabinet lighting in bar, and kitchen, also good for home lighting.
- Two beam angles design (25° and 50°) for DG-F02D to meet different light effect requirement.
- Two fixed version with IP protection is good for special application such as bathroom and kitchen.
- Patent tilting-rotating design version serve lighting designer requests.
- Springs on the sides are easy for installation.
- Eco-friendly technology of CoB with energy saving and low maintenance cost.
- Good thermal management guarantee long lifespan.

■ Application

Suitable for thin cabinet in kitchen, bathroom and even for home lighting.


10MM & 19MM ULTRA-THIN LIGHTS



Four versions for customers applying to limited depth installation.

SURFACE-MOUNTED ACCESSORIES



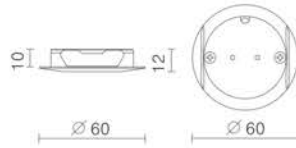
Model	DG-F03	DG-F03D	DG-F02	DG-F02D
 NO.	AC-F03	AC-F031	AC-F02	AC-F021
∅ Diameter(mm)	60	70	70	80
Height(mm)	15	25	25	25

CEILING LIGHTS

COLOR : WU BJ SY LED COLOR : WW NW



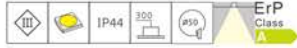
350lm



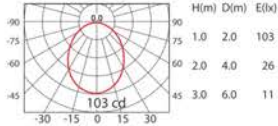
DG-F03 IP44 on the front.

LED	POWER	LED COLOR	COLOR
OSARM 4pcs	3.4W(5.8~6.8V, 500mA)	WW NW	WU BK BJ SY

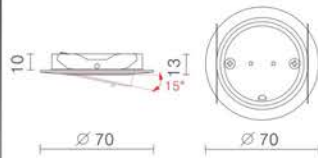
Housing: aluminium, paint.



350lm 3.4W/4pcs (500mA) WW 90°



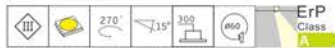
350lm



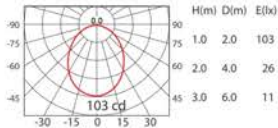
DG-F03D

LED	POWER	LED COLOR	COLOR
OSARM 4pcs	3.4W(5.8~6.8V, 500mA)	WW NW	WU BK BJ SY

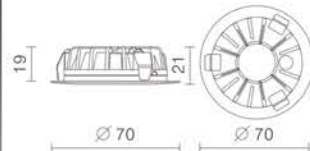
Housing: aluminium, paint, 270°rotating & 15°tilting.



350lm 3.4W/4pcs (500mA) WW 90°



500lm



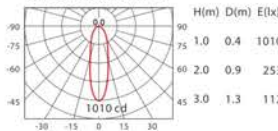
DG-F02 IP44 on the front.

CoB	POWER	LED COLOR	COLOR
SHARP	5.3W(350mA, 15V)	WW NW	WU BK BJ SY

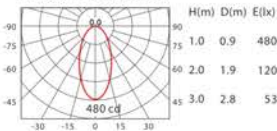
Housing: aluminium, paint.
Reflector: PC, plating.



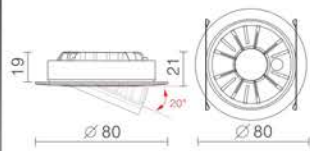
CoB 500lm 350mA WW 25°



CoB 500lm 350mA WW 50°



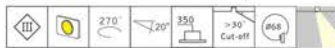
500lm



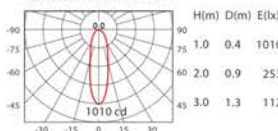
DG-F02D

CoB	POWER	LED COLOR	COLOR
SHARP	5.3W(350mA, 15V)	WW NW	WU BK BJ SY

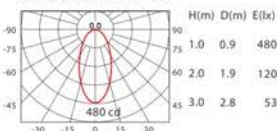
Housing: aluminium, paint, 270°rotating & 20°tilting.
Reflector: PC, plating.



CoB 500lm 350mA WW 25°



CoB 500lm 350mA WW 50°

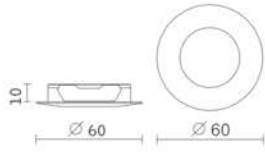


CEILING LIGHTS

COLOR : WU BJ SY LED COLOR : WW NW



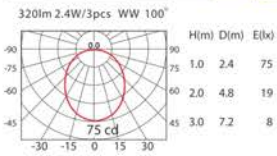
320lm



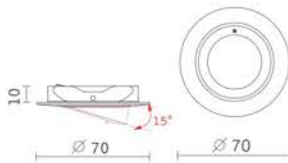
DG-F03-24V IP44 on the front.

LED	POWER	LED COLOR	COLOR
OSARM	3pcs/2.4W(DC 24V)	<input type="checkbox"/> WW <input type="checkbox"/> NW	<input type="checkbox"/> WK <input type="checkbox"/> BJ <input type="checkbox"/> SY

Housing: aluminium, paint.



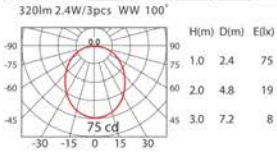
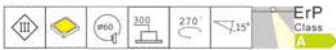
320lm



DG-F03D-24V

LED	POWER	LED COLOR	COLOR
OSARM	3pcs/2.4W(DC 24V)	<input type="checkbox"/> WW <input type="checkbox"/> NW	<input type="checkbox"/> WK <input type="checkbox"/> BJ <input type="checkbox"/> SY

Housing: aluminium, paint, 270°rotating & 15°tilting.



PARALLEL CONNECTOR FOR 3, 6 OR 8 LUMINAIRS

Model	Quick connectors	Numbers of luminaires	Driver diagram
LDL-AC2-3P		up to 3	
LDL-AC2-6P		up to 6	
LDL-AC2-3P + LDL-AC2-6P	 + 	up to 8	

Driver	Quantity of DG-F03D-24V
LSVC3W24-Z UNI (3W)	1 pcs
LMV12W24 UNI (12W)	2~5 pcs
LLV20W24 UNI (20W)	6~8 pcs

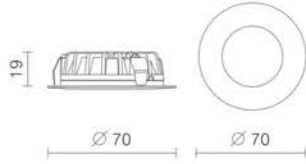
*For constant voltage use only.

CEILING LIGHTS

COLOR : WU BJ SY LED COLOR : WW NW



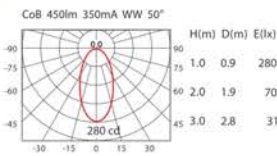
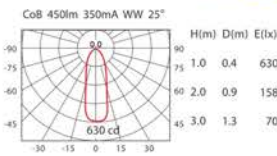
450lm



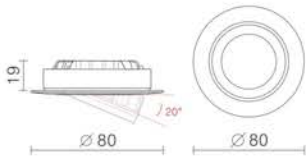
DG-F02-24V IP44 on the front.

LED	POWER	LED COLOR	COLOR
SHARP	4.8W(200mA, 24V)	<input type="checkbox"/> WW <input type="checkbox"/> NW	<input type="checkbox"/> WK <input type="checkbox"/> BJ <input type="checkbox"/> SY

Housing: aluminium, paint.



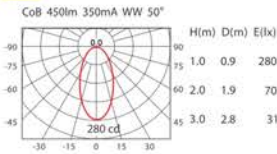
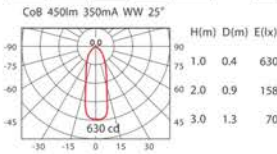
450lm



DG-F02D-24V

LED	POWER	LED COLOR	COLOR
SHARP	4.8W(200mA, 24V)	<input type="checkbox"/> WW <input type="checkbox"/> NW	<input type="checkbox"/> WK <input type="checkbox"/> BJ <input type="checkbox"/> SY

Housing: aluminium, paint, 270°rotating & 15°tilting.



PARALLEL CONNECTOR FOR 3, 6 OR 8 LUMINAIRES

Model	Quick connectors	Numbers of luminaires	Driver diagram
LDL-AC2-3P		up to 3	
LDL-AC2-6P		up to 6	

Driver	Quantity of DG-F02D-24V
LMV12W24 UNI (4.8W/9.6W)	1 ~2pcs
LLV20W24 UNI (14.4W/19.2W)	3-4 pcs
EIP030V0240U1 (24W/28.8W)	5-6 pcs

*For constant voltage use only.

CEILING LIGHTS



Features

- Very thin height of the body perfect to fit into limited installation height.
- Springs on the side is very easy to install.
- OSRAM LED light source to generate sufficient light output with soft and comfortable light effect.
- Two unique diffuser shape provide interior designer choose for different application.
- IP protection on the front is good for bath room and kitchen application.
- Good thermal management guarantee long lifespan .
- Eco-friendly led technology is with good energy saving and low maintenance cost.
- NO-UV radiation.

Application

Suitable for limited installation space, bed room, kitchen and bathroom.



MATERIAL




Aluminium, paint.




DG-F061

CEILING LIGHTS

COLOR : WU BK SY LED COLOR : WW NW

DG-F061   IP44  **IP44 on the front.**

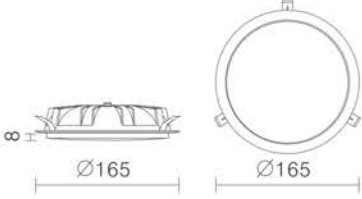
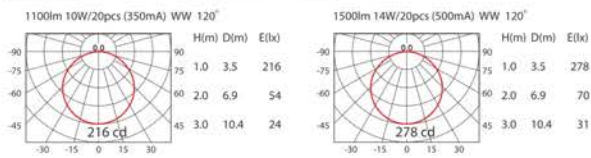
Cut out : $\varnothing 150$






ErP Class A *1100lm
1500lm


LED / Pieces
OSRAM / 20pcs

POWER
*10W, 350mA (23.2 - 27.2V)
14W, 500mA
*1100lm for standard application

DG-F06   IP44  **IP44 on the front.**

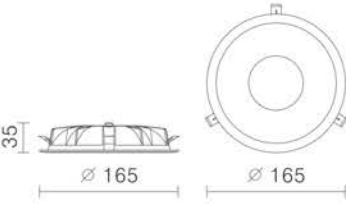
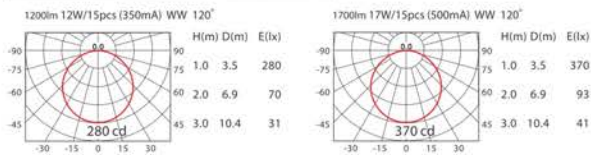
Cut out : $\varnothing 150$



ErP Class A 1200lm
*1700lm

LED / Pieces
OSRAM / 15pcs

POWER
12W, 350mA (29 - 34V)
*17W, 500mA
*1700lm for standard application

CEILING LIGHTS



Features

- Special reflector create uniform and rectangular light distribution.
- Patent new bracket mechanism ensure multi-wall washing function.
- The Swiveling-in function provide a wall washer effect on clean ceiling design.
- Transparent glass to protect CoB chip , very easy for end-user to clean the surface.
- Eco-friendly CoB Chip is with high energy saving and low maintenance cost.
- Good thermal management guarantee long lifespan.
- No UV radiation.

Application

Rectangular light distribution is good for museum, shop and art showroom.

FUNCTION

LIGHT HEAD

Can be pulled out rotate -15° to $+45^{\circ}$ tilt.

MATERIAL

MOUNTING RING

Aluminium, paint.

LIGHT HEAD

Aluminium, paint, with glass.

REFLECTOR

Pure aluminium layer 99.9%, mirror-finish anodized.

ROTATE & TILT



Swiveling-in



Pulling out



CEILING LIGHTS

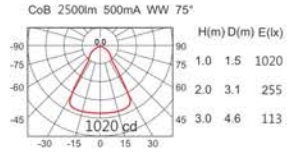
COLOR : WU BK SY LED COLOR : WW NW

DW-301Q

LED
CITIZEN CoB
POWER
18W (500mA)

ErP Class **A** 2500lm

Cut out : 115x115mm

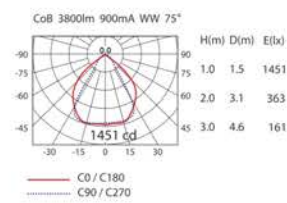


DW-302Q

LED
CITIZEN CoB
POWER
34W(900mA,37V)

ErP Class **A** 3800lm

Cut out : 115x185mm



CEILING LIGHTS



Features

- Transparent glass to protect the CoB chip, very easy for end-user to clean the surface.
- A new bracket mechanism ensure better functions on 355° rotating and 60° (-15° to +45°) tilting.
- The swiveling-in function provide a wall washer effect on cleaner ceiling design.
- Eco-friendly CoB chip with the energy saving and low maintenance cost.
- Different angle reflectors for customer to choose in different applications.
- Good thermal management guarantees long lifespan.
- No UV radiation.

Application

With spot and flood smooth light distribution reflectors, especially for lobby in hotel, reception area, restaurant, exhibition, showroom, cinema and other commercial spaces.

FUNCTION

LIGHT HEAD

355° rotate and -15° to +45° tilt.

MATERIAL

MOUNTING RING

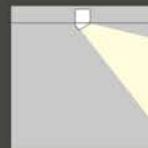
Aluminium, paint.

LIGHT HEAD

Aluminium, paint, with glass.

REFLECTOR

Pure aluminium layer 99.9%, mirror-finish anodized.



NEW BRACKET MECHANISM



Horizontal



Swiveling-in




Pulling out

CEILING LIGHTS

COLOR : WU BK SY LED COLOR : WW NW

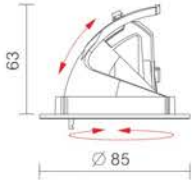
DW-301A



ErP Class **A**

500lm
*800lm

Cut out : Ø75

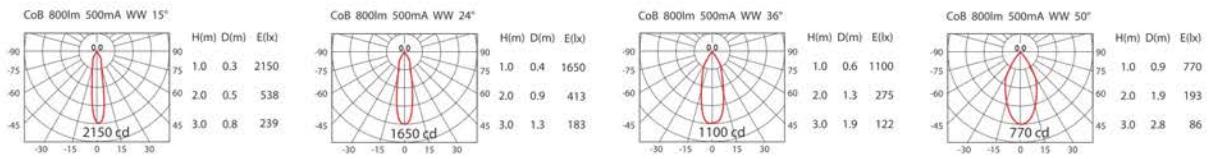


LED


SHARP CoB

POWER

*7.5W (500mA, 15V)
*800lm for standard applica



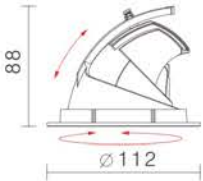
DW-302



ErP Class **A**

1300lm

Cut out : Ø100

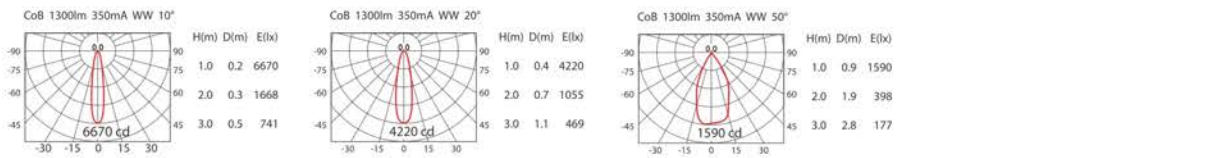


LED


SHARP CoB

POWER

13W (350mA, 37V)



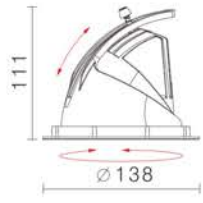
DW-303



ErP Class **A**

2400lm

Cut out : Ø125

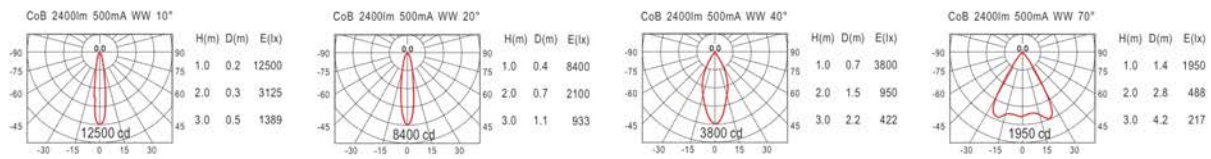


LED

CITIZEN CoB

POWER


18W (500mA)



CEILING LIGHTS

COLOR : WU BK SY LED COLOR : WW NW

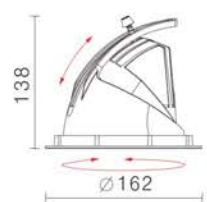
DW-304



ErP Class **A**

3100lm

Cut out : $\varnothing 150$




LED
CITIZEN CoB

POWER
25.5W(700mA,36V)

Beam Angle	H(m)	D(m)	E(lx)	cd
10°	1.0	0.2	16000	16000
20°	2.0	0.3	4000	10900
30°	3.0	0.5	1778	5050
40°	4.0	0.7	1263	2500
70°	3.0	2.2	561	2500


DW-305



ErP Class **A**

3100lm
3800lm
*4700lm

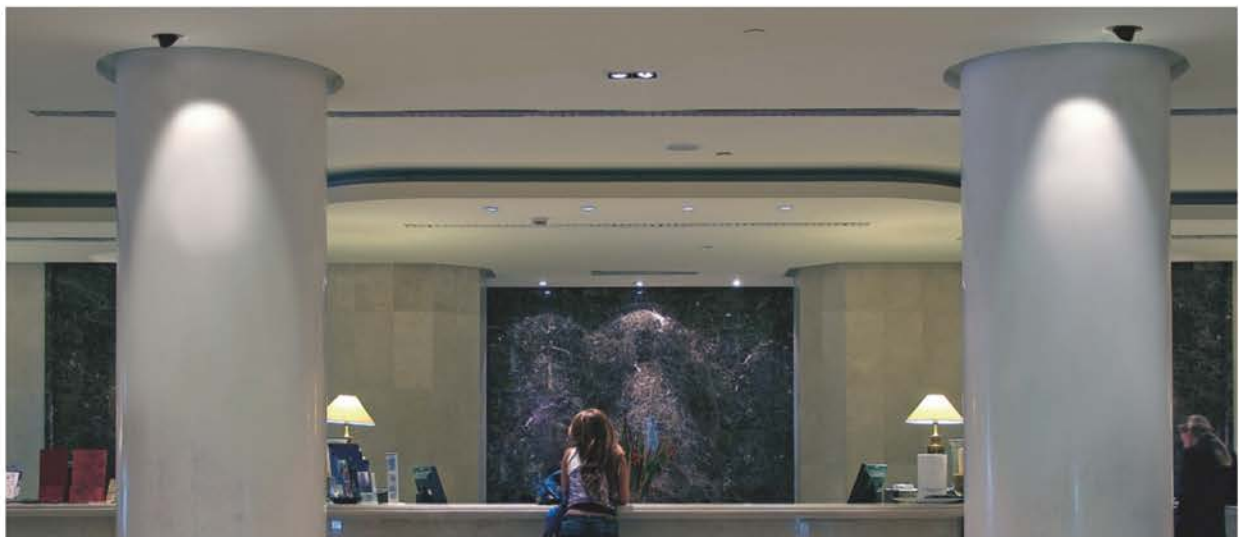
Cut out : $\varnothing 175$



LED
CITIZEN CoB

POWER
*38W(1050mA,36V)
*4700lm for standard application

Beam Angle	H(m)	D(m)	E(lx)	cd
12°	1.0	0.2	47000	47000
20°	2.0	0.4	11750	19000
30°	3.0	0.6	5222	7700
40°	4.0	0.8	3850	2900
70°	3.0	2.2	856	2900



CEILING LIGHTS



Features

- Narrow beam angle wall washer effect on cleaner ceiling design.
- With transparent glass to protect the CoB chip.
- Eco-friendly technology of CoB with the energy saving and low maintenance cost.
- Good thermal management guarantees long lifespan.
- Special structure to prevent the light emitting from the back.
- 355° rotating and 30° tilting.
- Easy install by two springs.
- No UV radiation.

Application

Especially for high ceilings space such as exhibitions, hotels, reception, restaurants, showrooms and other commercial spaces.

MATERIAL

LIGHT FIXTURE

Aluminium, paint.

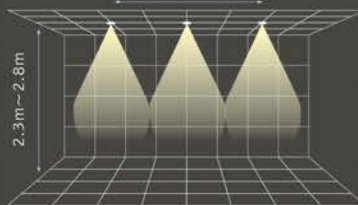
LAMPSHADE

Glass.

REFLECTOR

PC, vacuum plastic anodized.

INSTRUCTION



CEILING LIGHTS



LIGHT ENCLOSURE IN THE CEILING



The special structure to prevent light emitting from the back.

HONEYCOMB

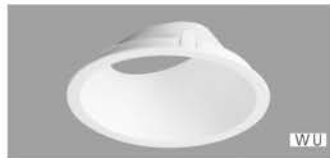
DW-980 DW-981	DW-982	DW-983	DW-984
AC-981	AC-982	AC-983	AC-984

STANDARD REFLECTOR



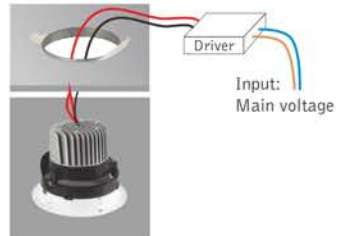
light reflector with PC materials by vacuum aluminum plating.
30° cut-off angle create visual comfort.

OPTIONAL REFLECTOR



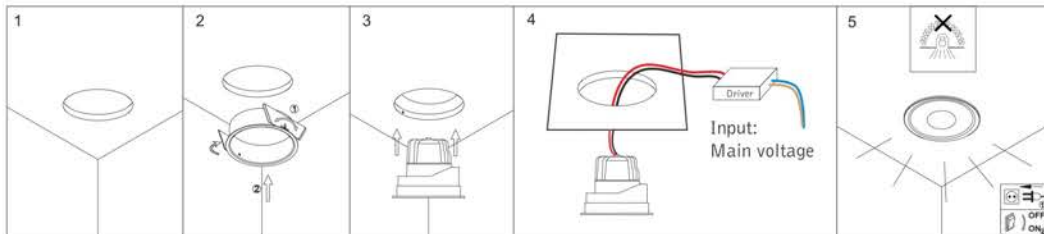
Reflector of white version is made of SABIC Innovative Plastic™.

A SEPARATED MOUNTING RING




Convenient for engineering installation


INSTRUCTION OF INSTALLATION



CEILING LIGHTS

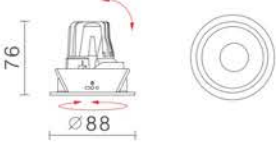
COLOR : WU BK SY LED COLOR : WW NW

DW-980C 



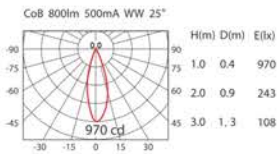
ErP Class **A** 800lm


Cut out : Ø75




LED
SHARP CoB

POWER
7.5W (500mA, 15V)

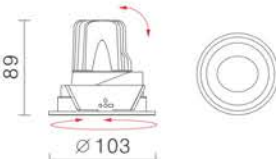


DW-981C 



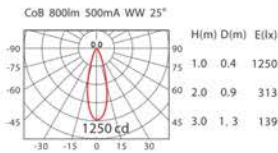
ErP Class **A** 800lm


Cut out : Ø90




LED
SHARP CoB

POWER
7.5W (500mA, 15V)

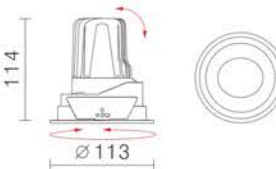


DW-982C 



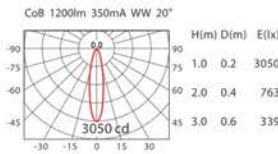
ErP Class **A** 1200lm

Cut out : Ø100



LED
SHARP CoB


POWER
13W (350mA, 37V)



CEILING LIGHTS

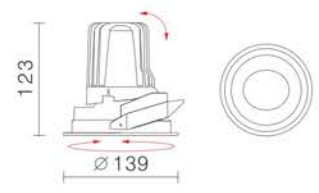
COLOR : WU BK SY LED COLOR : WW NW

DW-983C



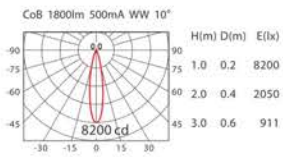
ErP Class **A** 1800lm

Cut out : Ø125




LED
CREE CoB

POWER
19.5W (500mA, 39V)

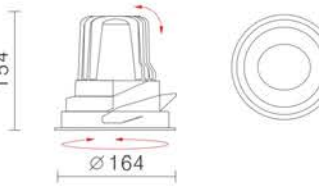


DW-984C



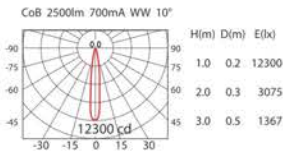
ErP Class **A** 1800lm *2500lm

Cut out : Ø150



LED
CREE CoB

POWER
*28W (700mA, 39.5V)
*2500lm for standard application



CEILING LIGHTS



Features

- Lampshade to protect the CoB chip.
- Eco-friendly technology of CoB with energy saving and low maintenance cost.
- Good thermal management guarantees long lifespan.
- Darklight reflector with 30° cut-off angle to create visual comfort.
- Easy to install with two springs.
- No UV radiation.

Application

Especially for high ceilings space such as hotels, reception room, restaurants, exhibitions, showrooms and other commercial spaces.

FUNCTION

REFLECTOR
30° cut-off angle.

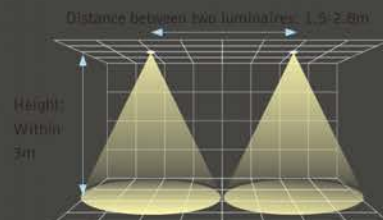
MATERIAL

LIGHT FIXTURE
Aluminium, paint, with glass.

REFLECTOR
Pure aluminium layer 99.9%, mirror-finish anodized.




APPLICATION



CEILING LIGHTS

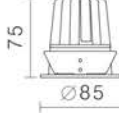
COLOR : WU BK SY LED COLOR : WW NW

DG-981C



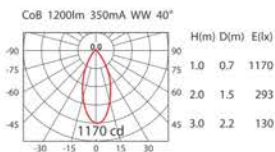
ErP Class **A** 1200lm

Cut out : Ø75




LED
SHARP CoB

POWER
13W (350mA, 37V)

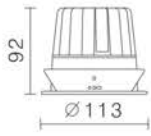


DG-982C



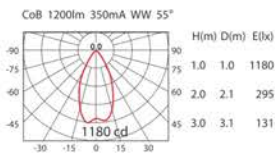
ErP Class **A** 1200lm

Cut out : Ø100




LED
SHARP CoB

POWER
13W (350mA, 37V)

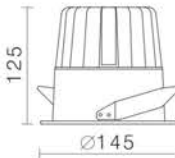


DG-983C



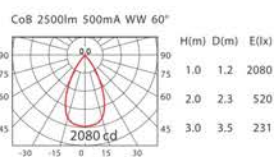
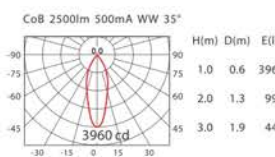
ErP Class **A** 1700lm *2500lm

Cut out : Ø125



LED
CITIZEN CoB


POWER
*18W(500mA)
*2500lm for standard application



CEILING LIGHTS

COLOR : WU BK SY LED COLOR : WW NW

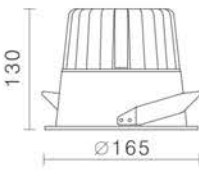
DG-984C



ErP Class **A**

2500lm
*3800lm

Cut out :
Ø150



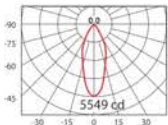
LED

CITIZEN CoB

POWER

*34W(900mA, 37V)
*3800lm for standard application

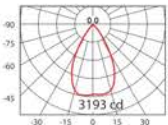
CoB 3800lm 900mA WW 35°



H(m)	D(m)	E(lx)
1.0	0.6	5549
2.0	1.3	1387
3.0	1.9	617

5549 cd

CoB 3800lm 900mA WW 60°



H(m)	D(m)	E(lx)
1.0	1.2	3193
2.0	2.3	798
3.0	3.5	355

3193 cd

NEW REFLECTOR FOR DG-983C & DG-984C




Easy change reflector:
Wide angles available for DG-983C & DG-984C, much better for lighting designer to choose in different application at the same luminaire.

CEILING LIGHTS

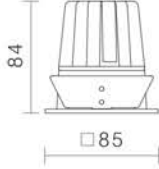
COLOR : WU BK SY LED COLOR : WW NW

DG-991C



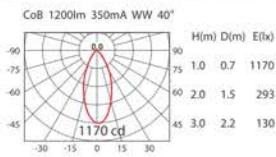
ErP Class **A** 1200lm

Cut out : $\varnothing 75$




LED
SHARP CoB

POWER
13W (350mA, 37V)

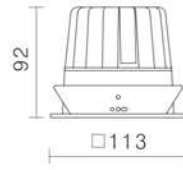


DG-992C



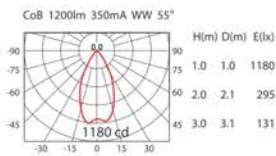
ErP Class **A** 1200lm

Cut out : $\varnothing 100$




LED
SHARP CoB

POWER
13W (350mA, 37V)

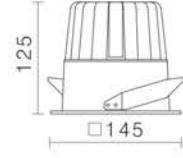


DG-993C



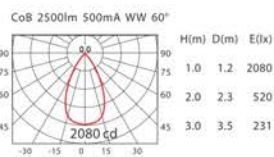
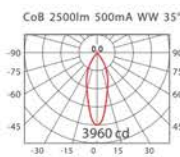
ErP Class **A** 1700lm *2500lm

Cut out : $\varnothing 125$



LED
CITIZEN CoB


POWER
*18W(500mA)
*2500lm for standard application



CEILING LIGHTS

COLOR : WU BK SY LED COLOR : WW NW

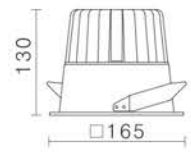
DG-994C



ErP Class **A**

2500lm
*3800lm

Cut out : $\varnothing 150$



LED

CITIZEN CoB

POWER

*34W(900mA,37V)
*3800lm for standard application

CoB 3800lm 900mA WW 35°

H(m)	D(m)	EI(x)
1.0	0.6	5549
2.0	1.3	1387
3.0	1.9	617

5549 cd

CoB 3800lm 900mA WW 60°

H(m)	D(m)	EI(x)
1.0	1.2	3193
2.0	2.3	798
3.0	3.5	355

3193 cd

NEW REFLECTOR FOR DG-993C & DG-994C



Easy change reflector:
Wide angles available for DG-993C & DG-994C, much better for lighting designer to choose in different application at the same luminaire.



WA-772S

Hyper Energy Saving

CoB: 500lm@5.3W (350mA)
800lm@7.5W (500mA)

Hyper Long Lifespan

CoB: 40,000 hours
Low Maintenance Cost

■ Features

- Surface mounted down light with no-screw outside fixation provide a much cleaner out-looking design.
- In this range you can choose between different sizes, single or double light sources.
- Delicate mechanical design and sufficient heat management guarantee long lifespan.
- Deeper design of the front ring to help the glare control as accessories.
- Eco-friendly technology with energy saving and low maintenance cost.
- No UV radiation.

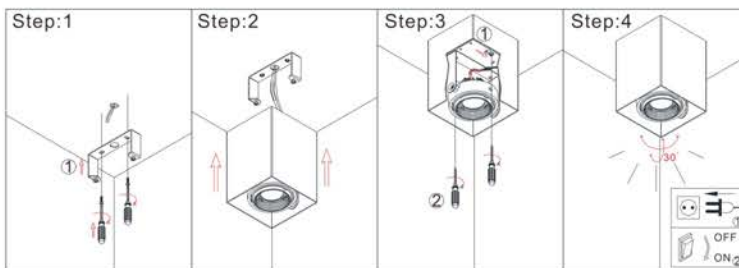
■ Application

Surface mounted down light perfect for highlighting artworks and art galleries, showrooms, stores, home and other commercial applications.

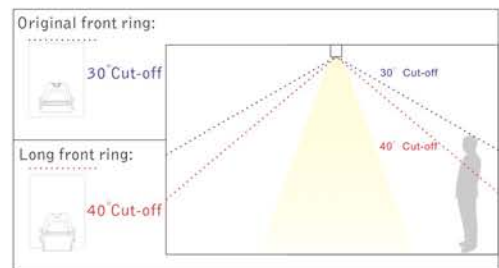
ACCESSORIES

○ Optional	AC-771A 
	Deep front ring
WA-771S	○
WA-772S	○

INSTALLATION FOR WA-771S SERIES



CUT-OFF ANGLE OF DIFFERENT FRONT RING



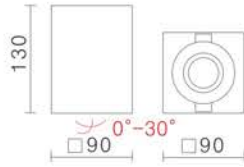
CEILING LIGHTS

COLOR : WK BJ

LED COLOR : WW NW



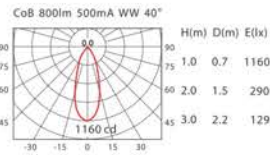
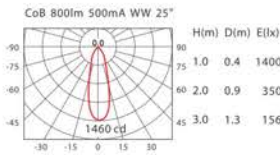
600lm
*800lm



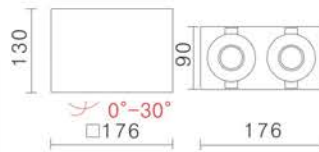
WA-771S

CoB	POWER	LED COLOR	COLOR
SHARP	7.5W(500mA, 15V) AC 100-240V	<input checked="" type="checkbox"/> WW <input type="checkbox"/> NW	<input type="checkbox"/> WK <input checked="" type="checkbox"/> BJ

Housing: steel, paint.



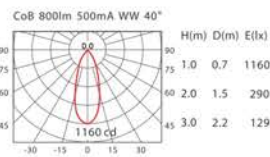
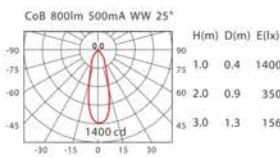
600lm
*800lm



WA-772S

CoB	POWER	LED COLOR	COLOR
SHARP	7.5W(500mA, 15V) AC 100-240V	<input checked="" type="checkbox"/> WW <input type="checkbox"/> NW	<input type="checkbox"/> WK <input checked="" type="checkbox"/> BJ

Housing: steel, paint.





WA-722S

Hyper Energy Saving

CoB: 600lm@ 5.3W (350mA)
 800lm@ 7.5W (500mA)
 1500lm@ 13 W (350mA)
 2500lm@ 18 W (500mA)

Hyper Long Lifespan

CoB: 40,000 hours
 Low Maintenance Cost

■ Features

- Surface mounted down light with no-screw outside fixation provide a much cleaner out-looking design.
- In this range you can choose between different sizes, single or double light sources.
- Delicate mechanical design and sufficient heat management guarantee long lifespan.
- Deeper design of the front ring to help the glare control as accessories.
- Eco-friendly technology with energy saving and low maintenance cost.
- No UV radiation.

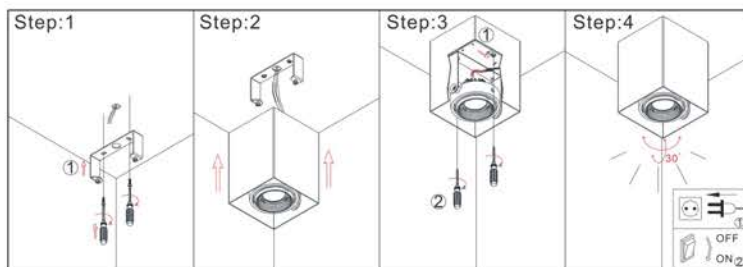
ACCESSORIES

	AC-771A	AC-721A
○ Optional		
	Deep front ring	Deep front ring
WA-771S	○	
WA-772S	○	
WA-721S		○
WA-722S		○

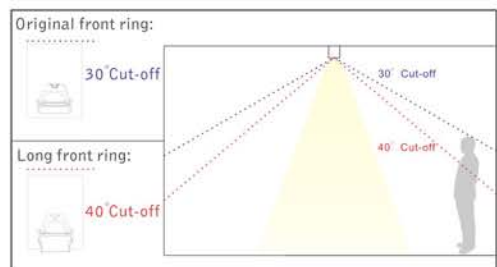
■ Application

Surface mounted down light perfect for highlighting artworks and art galleries, showrooms, stores, home and other commercial applications.

INSTALLATION FOR WA-7XXS SERIES



CUT-OFF ANGLE OF DIFFERENT FRONT RING



CEILING LIGHTS

COLOR : WK BJ

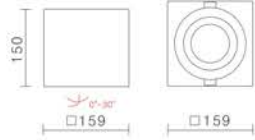
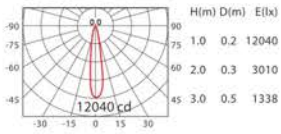
LED COLOR : WW NW



1500lm
*2500lm



CoB 2500lm 500mA WW 10°

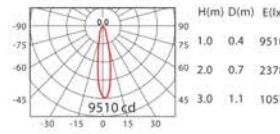


WA-721S

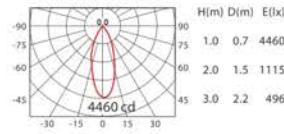
CoB	POWER	LED COLOR	COLOR
CITIZEN	18W(500mA, 36V) AC 220-240V	<input checked="" type="checkbox"/> WW <input type="checkbox"/> NW	<input type="checkbox"/> WK <input checked="" type="checkbox"/> BJ

Housing: steel, paint.

CoB 2500lm 500mA WW 20°



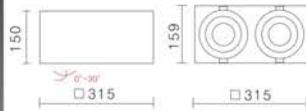
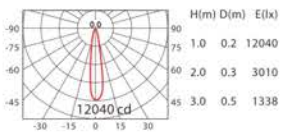
CoB 2500lm 500mA WW 40°



1500lm
*2500lm



CoB 2500lm 500mA WW 10°

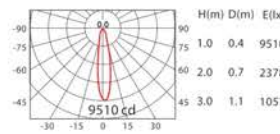


WA-722S

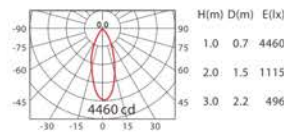
CoB	POWER	LED COLOR	COLOR
CITIZEN	18W(500mA, 36V) AC 220-240V	<input checked="" type="checkbox"/> WW <input type="checkbox"/> NW	<input type="checkbox"/> WK <input checked="" type="checkbox"/> BJ

Housing: steel, paint.

CoB 2500lm 500mA WW 20°



CoB 2500lm 500mA WW 40°





WG-715R

Hyper Energy Saving

CoB: 1500lm@13W	(350mA)
2000lm@18.5W	(500mA)
2500lm@18W	(500mA)
3400lm@25.5W	(700mA)
4200lm@34W	(900mA)
4900lm@38W	(1050mA)
6200lm@52W	(1400mA)

Hyper Long Lifespan

Lifespan: 40,000 hours
Low Maintenance Cost

■ Features

- Surface mounted down light with no-screw outside fixation provide a much cleaner out-looking design.
- Stylish front frame design are ready for indoor range WG-71X series and outdoor OWG-70X series.
- Different angles reflectors are very easy for customer to change for spot or general lighting effect.
- Driver built-in, easy for installation.
- Efficient thermal management guarantee long lifespan.
- Eco-friendly CoB technology with energy saving and low maintenance cost.
- No-UV radiation.

■ Application

General lighting or guide for walk way, residence and commercial applications.

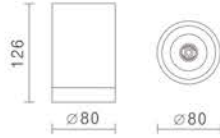
CEILING LIGHTS

COLOR : WK BJ

LED COLOR : WW NW



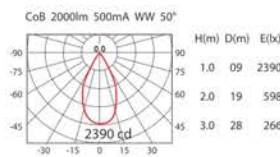
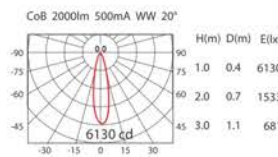
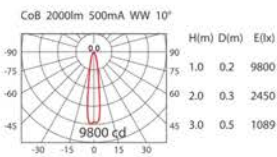
1500lm
* 2000lm



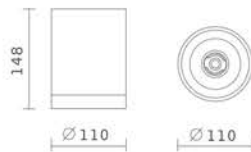
WG-713R

CoB	POWER	LED COLOR	COLOR
SHARP	18.5W(500mA, 37V) AC 100-240V	<input checked="" type="checkbox"/> WW <input type="checkbox"/> NW	<input type="checkbox"/> WK <input checked="" type="checkbox"/> BJ

Housing: aluminium, paint.



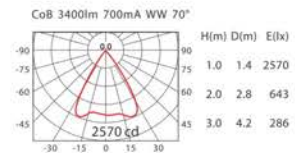
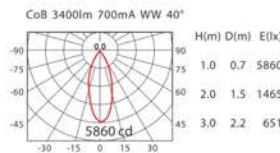
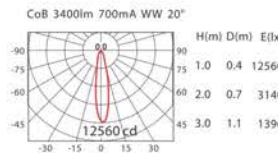
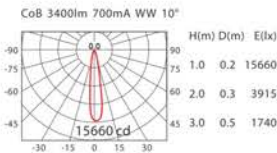
2500lm
* 3400lm



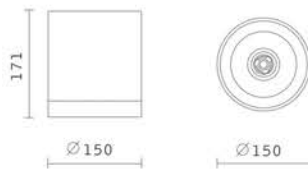
WG-715R

CoB	POWER	LED COLOR	COLOR
CITIZEN	25.5W(700mA, 36V) AC 120-240V	<input checked="" type="checkbox"/> WW <input type="checkbox"/> NW	<input type="checkbox"/> WK <input checked="" type="checkbox"/> BJ

Housing: aluminium, paint.



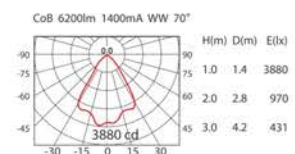
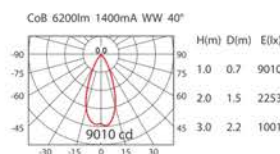
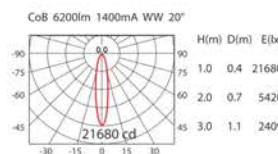
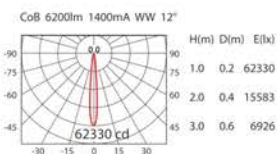
4200lm
4900lm
* 6200lm



WG-716R

CoB	POWER	LED COLOR	COLOR
CITIZEN	52W(1400mA, 37V) AC 100-240V	<input checked="" type="checkbox"/> WW <input type="checkbox"/> NW	<input type="checkbox"/> WK <input checked="" type="checkbox"/> BJ

Housing: aluminium, paint.



CEILING LIGHTS



Features

- Eco-friendly CoB technology with high energy saving and low maintenance cost.
- Precise optical design creates smooth light distribution.
- Optimal thermal management guarantees a long lifespan.
- No UV radiation.

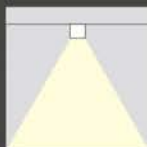
Application

General lighting for high ceiling space, such as living room, meeting room, reception room, warehouse and garage and other commercial applications.

MATERIAL

LIGHT FIXTURE
Aluminium, paint.


REFLECTOR
Aluminium, anodized.




CEILING LIGHTS

COLOR : WU BK SV LED COLOR : WW NW

WG-982C



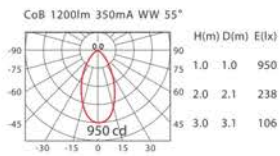
ErP Class A **1200lm**




LED
SHARP CoB

POWER
13W (350mA, 37V)

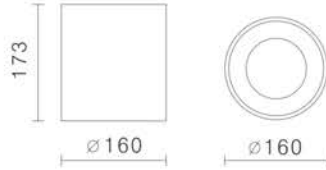
INPUT
AC 220 - 240V



WG-983C



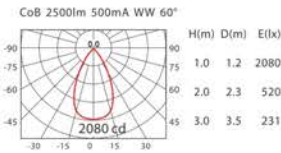
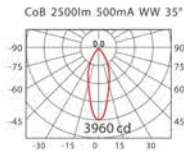
ErP Class A **1700lm**
***2500lm**




LED
CITIZEN CoB

POWER
*18W(500mA)
*2500lm for standard application

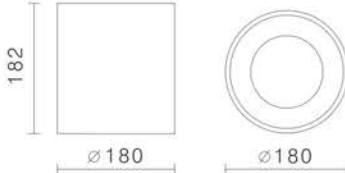
INPUT
AC 220 - 240V



WG-984C



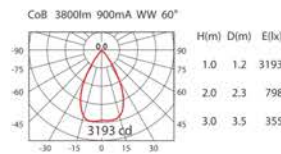
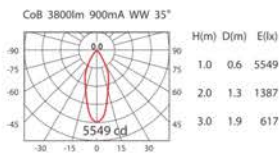
ErP Class A **2500lm**
***3800lm**



LED
CITIZEN CoB

POWER
*34W(900mA,37V)
*3800lm for standard application

INPUT
AC 220 - 240V



CEILING LIGHTS



Features

- Surface mounted down light with clean and neat appearance.
- Two Shapes, round and square, provide customer to choose for different request.
- Driver built-in and very easy installed by two screws on the sides.
- Eco-friendly CoB technology with energy saving and low maintenance cost.
- No-UV radiation.

Application

General lighting or guide for museums, exhibitions, art galleries, offices, residence and also in commercial applications.

MATERIAL

LIGHT FIXTURE
Aluminium, paint.

REFLECTOR
Pure aluminium layer 99.9%, mirror-finish anodized.



CEILING LIGHTS

IP44



WG-806R
(1200lm)



WG-904R
(1800lm)



WG-904S
(1800lm)



WG-906R
(3600lm)




WG-906S
(3600lm)



CEILING LIGHTS

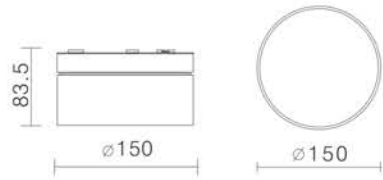
COLOR : WU BK SV LED COLOR : WW NW

WG-806R



ErP Class **A**

1200lm



83.5
Ø150

LED

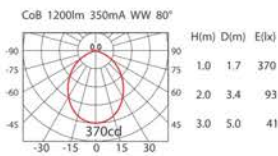
SHARP CoB

POWER


13W (350mA, 37V)

INPUT

AC 220 - 240V

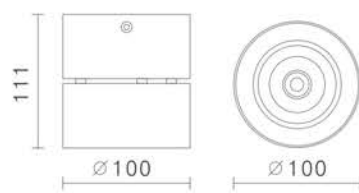


WG-904R



ErP Class **A**

1800lm



111
Ø100

LED

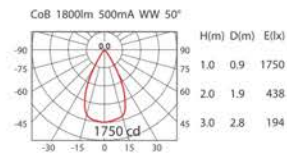
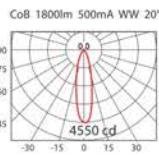
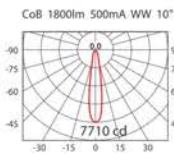
CREE CoB

POWER


19.5W (500mA, 39V)

INPUT

AC 120 - 240V

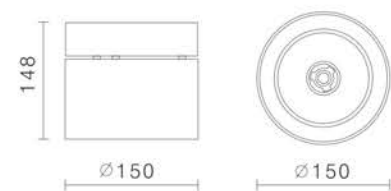


WG-906R



ErP Class **A**

3800lm



148
Ø150

LED

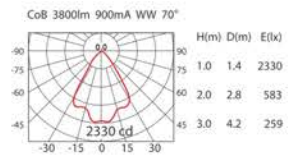
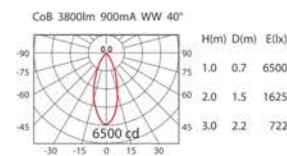
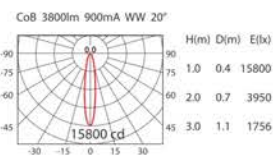
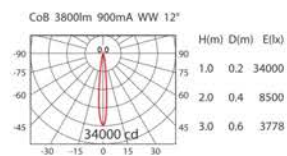
CITIZEN CoB

POWER

34W(900mA,37V)

INPUT


AC 100 - 240V



CEILING LIGHTS

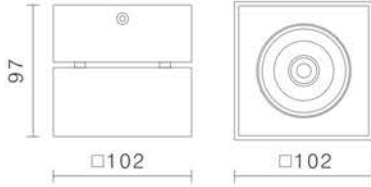
COLOR : WU BK SV LED COLOR : WW NW

WG-904S



ErP Class **A**

1800lm



LED

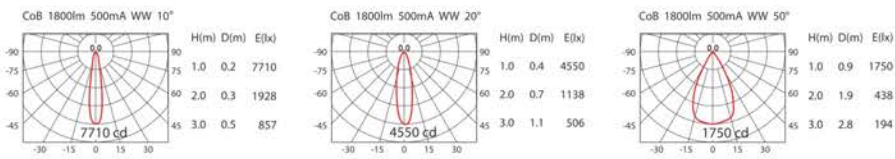
CREE CoB

POWER


19.5W (500mA, 39V)

INPUT

AC 120 - 240V

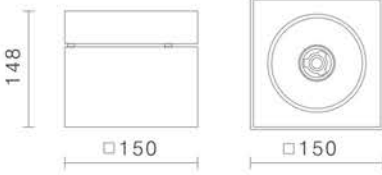


WG-906S



ErP Class **A**

3800lm



LED

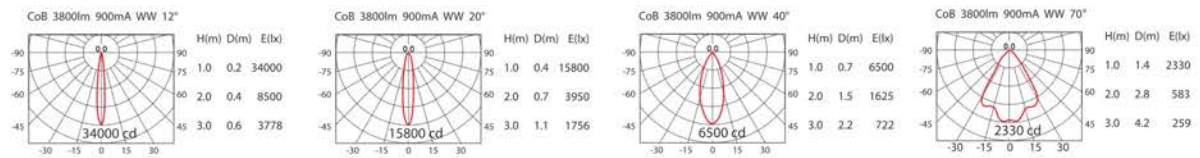
CITIZEN CoB

POWER

34W(900mA,37V)

INPUT

AC 100 - 240V



CEILING LIGHTS



Features

- Surface mounted down light with no-screw outside fixation provide a much cleaner appearance.
- Two Shapes, round and square, provide customer to choose for different requests.
- Driver built-in, easy for installation.
- Efficient thermal management guarantee long lifespan.
- Different angles reflectors are very easy for customer to change for spot or general lighting effect.
- Eco-friendly CoB technology with energy saving and low maintenance cost.
- No-UV radiation.

Application

General lighting or guide for museums, exhibitions, art galleries, offices, residence and also in commercial applications.

MATERIAL

LIGHT FIXTURE

Aluminium, paint.

REFLECTOR

Pure aluminium layer 99.9%, mirror-finish anodized.

LAMPSHADE

PC, transparent.

ACCESSORIES


					
• Optional					
WG-705	• Standard	AC-350	DL-75-AC2	AC-350D	AC-350E
WG-706	• Standard	AC-320	DL-7-AC2	AC-320D	AC-320E




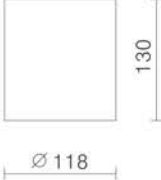
CEILING LIGHTS

COLOR : WU BK SV LED COLOR : WW NW

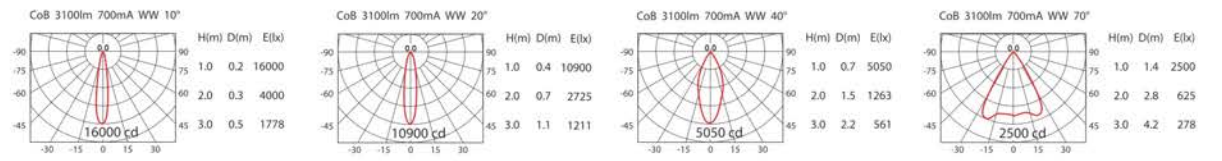
WG-705R




ErP Class A **3100lm**


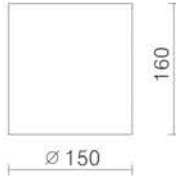
LED
CITIZEN CoB
POWER
25.5W(700mA,36V)
INPUT
AC 120 - 240V



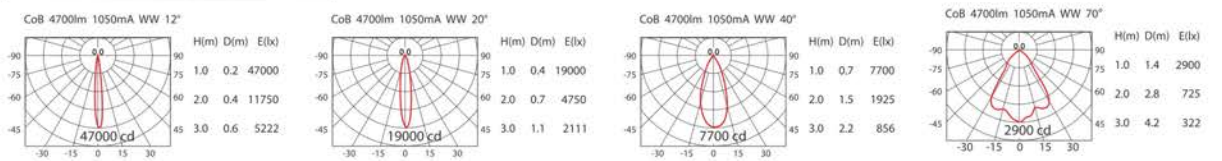
WG-706R




ErP Class A **3800lm**
***4700lm**


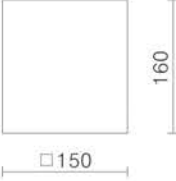
LED
CITIZEN CoB
POWER
***38W(1050mA,36V)**
***4700lm for standard application**
INPUT
AC 100 - 240V



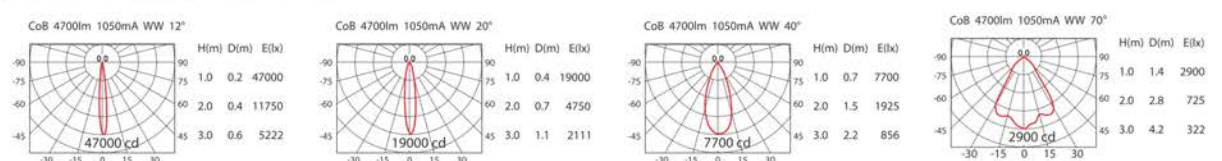
WG-706S



ErP Class A **3800lm**
***4700lm**

LED
CITIZEN CoB
POWER
***38W(1050mA,36V)**
***4700lm for standard application**
INPUT
AC 100 - 240V



CEILING LIGHTS



Features

- Equiped with new LED CoB technology to provide high efficient lumen in Pendent light application.
- Transparent PC front cover to protect the CoB chip, easy for end-user to clean the lighting surface.
- Special texture painting create a better quallity effect.
- Eco-friendly light source CoB with good energy saving and low maintenance cost.
- Different angles of optical reflector ready for customer to chose for different light effect.
- Deep cut-off angle for visual comfort.
- Built-in driver easy for customer to install.
- No-UV radiation.

Application

With uniform light distribution and pendant application, perfect for coffee shop, restaurant, reception area.

MATERIAL


LIGHT FIXTURE
Aluminium, paint.



CEILING LIGHTS

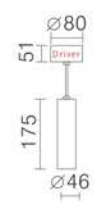
COLOR : WK BJ SV LED COLOR : WW NW

PA-104CA



ErP Class **A**

500lm



LED

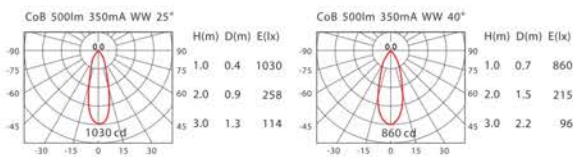
SHARP CoB

POWER


5.3W (350mA, 15V)

INPUT

AC 100 - 240V

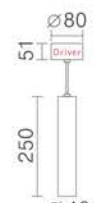


PA-104CB



ErP Class **A**

500lm



LED

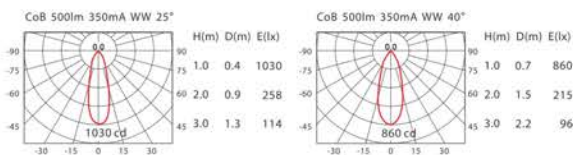
SHARP CoB

POWER


5.3W (350mA, 15V)

INPUT

AC 100 - 240V

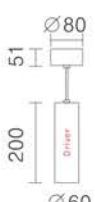


PA-105CA



ErP Class **A**

800lm
*1300lm



LED

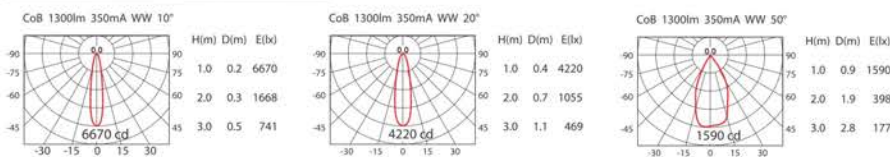
SHARP CoB

POWER

*13W (350mA, 37V)
*1300lm for standard application

INPUT

AC 100 - 240V



CEILING LIGHTS

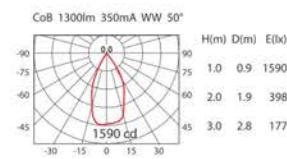
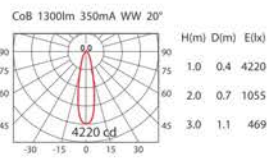
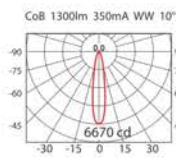
COLOR : WK BJ SV LED COLOR : WW NW



LED
SHARP CoB

POWER
*13W (350mA, 37V)
*1300lm for standard application

INPUT
AC 100 - 240V



RETROFIT LED MODULE



Features

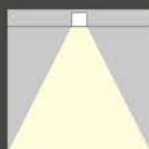
- Eco-friendly LED technology along with energy saving and low maintenance cost.
- Specific thermal management guarantees a long lifespan.
- Precise optical technology creates smooth light distribution and high performance.
- Full range of color temperature and beam angle to build different atmospheres.
- Compatible with most of conventional halogen lamps.
- No UV or IR radiation.

Application

Replacement of conventional MR-16.
Symmetrical and smooth light distribution for highlighting artworks whether in museums, exhibitions, art galleries, showrooms, residences and commercial applications.




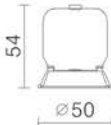
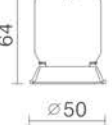
MATERIAL

Aluminium, paint.



RETROFIT LED MODULE

COLOR : WU BK SY LED COLOR : WW NW

MD-104A																													
 <p>ErP Class A</p>	<div style="display: flex; justify-content: space-around;"> <div style="text-align: center;"> <p>1.2W</p>  <p>44 ∅50</p> </div> <div style="text-align: center;"> <p>2W</p>  <p>54 ∅50</p> </div> <div style="text-align: center;"> <p>3W</p>  <p>64 ∅50</p> </div> </div>			<p>LED / Pieces</p> <p>OSRAM / 4pcs</p>																									
	<p>POWER</p> <p>1.2Wx4 (350mA) 2Wx4 (500mA) 3Wx4 (700mA)</p>																												
<p>MD-104A-OS-1-12 MD-104A-OS-2-12 MD-104A-OS-3-12</p>		<p>OSLON 4pcs(700mA) WW 12°</p> <table border="1"> <thead> <tr> <th>H(m)</th> <th>D(m)</th> <th>E(lx)</th> </tr> </thead> <tbody> <tr><td>1.0</td><td>0.2</td><td>8000</td></tr> <tr><td>2.0</td><td>0.4</td><td>2000</td></tr> <tr><td>3.0</td><td>0.6</td><td>888</td></tr> </tbody> </table>		H(m)	D(m)	E(lx)	1.0	0.2	8000	2.0	0.4	2000	3.0	0.6	888	<p>OSLON 4pcs(700mA) WW 20°</p> <table border="1"> <thead> <tr> <th>H(m)</th> <th>D(m)</th> <th>E(lx)</th> </tr> </thead> <tbody> <tr><td>1.0</td><td>0.4</td><td>2800</td></tr> <tr><td>2.0</td><td>0.7</td><td>700</td></tr> <tr><td>3.0</td><td>1.1</td><td>311</td></tr> </tbody> </table>		H(m)	D(m)	E(lx)	1.0	0.4	2800	2.0	0.7	700	3.0	1.1	311
H(m)	D(m)	E(lx)																											
1.0	0.2	8000																											
2.0	0.4	2000																											
3.0	0.6	888																											
H(m)	D(m)	E(lx)																											
1.0	0.4	2800																											
2.0	0.7	700																											
3.0	1.1	311																											
<p>OSLON 4pcs(700mA) WW 30°</p> <table border="1"> <thead> <tr> <th>H(m)</th> <th>D(m)</th> <th>E(lx)</th> </tr> </thead> <tbody> <tr><td>1.0</td><td>0.5</td><td>1350</td></tr> <tr><td>2.0</td><td>1.1</td><td>338</td></tr> <tr><td>3.0</td><td>1.6</td><td>150</td></tr> </tbody> </table>		H(m)	D(m)	E(lx)	1.0	0.5	1350	2.0	1.1	338	3.0	1.6	150	<p>OSLON 4pcs(700mA) WW 60°</p> <table border="1"> <thead> <tr> <th>H(m)</th> <th>D(m)</th> <th>E(lx)</th> </tr> </thead> <tbody> <tr><td>1.0</td><td>1.2</td><td>700</td></tr> <tr><td>2.0</td><td>2.3</td><td>175</td></tr> <tr><td>3.0</td><td>3.5</td><td>78</td></tr> </tbody> </table>		H(m)	D(m)	E(lx)	1.0	1.2	700	2.0	2.3	175	3.0	3.5	78		
H(m)	D(m)	E(lx)																											
1.0	0.5	1350																											
2.0	1.1	338																											
3.0	1.6	150																											
H(m)	D(m)	E(lx)																											
1.0	1.2	700																											
2.0	2.3	175																											
3.0	3.5	78																											



RETROFIT LED MODULE

COLOR : BK ■ SY ■ LED COLOR : WW ■ NW ■

MD-106B



ErP Class **A**

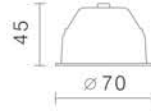


LED / Pieces

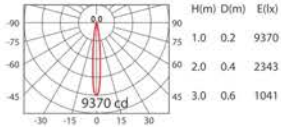
OSRAM / 6pcs

POWER

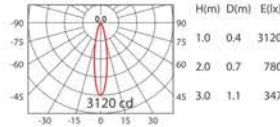
2Wx6 (500mA)



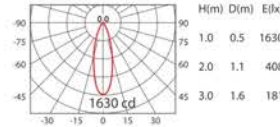
OSLON 6pcs(500mA) WW 12°



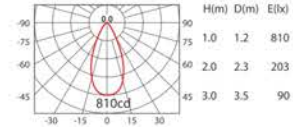
OSLON 6pcs(500mA) WW 20°



OSLON 6pcs(500mA) WW 30°



OSLON 6pcs(500mA) WW 60°



MD-107B



ErP Class **A**

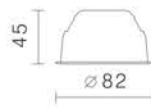


LED / Pieces

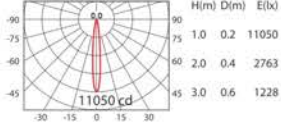
OSRAM / 7pcs

POWER

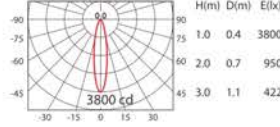
2Wx7 (500mA)



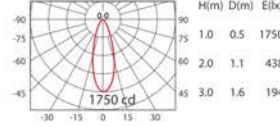
OSLON 7pcs(500mA) WW 12°



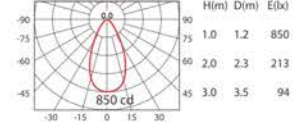
OSLON 7pcs(500mA) WW 20°



OSLON 7pcs(500mA) WW 30°



OSLON 7pcs(500mA) WW 60°



MD-112B



ErP Class **A**

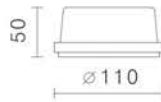


LED / Pieces

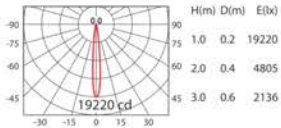
OSRAM / 12pcs

POWER

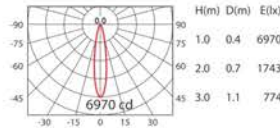
2Wx12 (500mA)



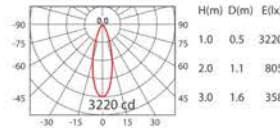
OSLON 12pcs(500mA) WW 12°



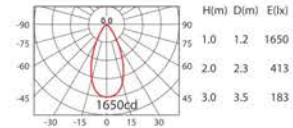
OSLON 12pcs(500mA) WW 20°



OSLON 12pcs(500mA) WW 30°



OSLON 12pcs(500mA) WW 60°



RETROFIT LED MODULE

COLOR : BK ■ SY ■ LED COLOR : WW ■ NW ■

MD-115B



ErP Class **A**

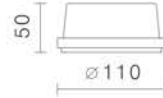


LED / Pieces

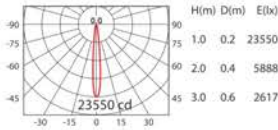
OSRAM / 15pcs

POWER

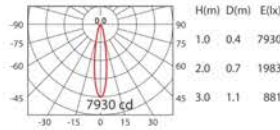
2Wx15 (500mA)



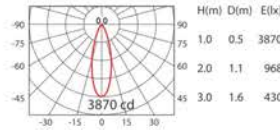
OSLON 15pcs(500mA) WW 12°



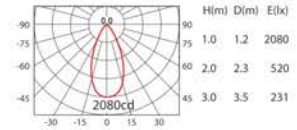
OSLON 15pcs(500mA) WW 20°



OSLON 15pcs(500mA) WW 30°



OSLON 15pcs(500mA) WW 60°



MD-R111C



ErP Class **A**

1300lm
*1800lm



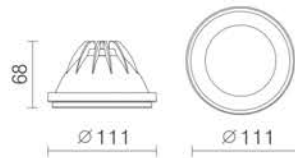
LED

CREE CoB

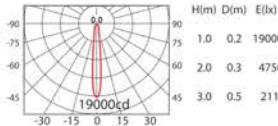
POWER

*19.5W (500mA, 39V)

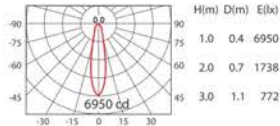
*1800lm for standard application



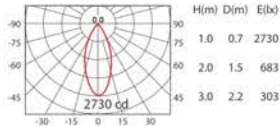
CoB 1800lm 500mA WW 10°



CoB 1800lm 500mA WW 20°



CoB 1800lm 500mA WW 40°



WALL LIGHTS



Features

- Square and uniform light effect provide a better wall washer effect for lighting designer.
- Simple and curve shape light head design provide a much elegant style.
- Eco-friendly CoB technology with high energy saving and low maintenance cost.
- High efficient reflector design come with special structure glass on the front provide a square and uniform light effect.
- Good thermal management guarantees long lifespan.
- No UV radiation.

Application

Precise light distribution is perfect for highlighting artworks and exhibitions, art galleries, showrooms, stores, and other commercial applications.

FUNCTION

LIGHT HEAD

90° tilt on bracket, good thermal management.

BRACKET

355° rotate

MATERIAL

LIGHT HEAD

Aluminium, paint.

GRABBOX

Steel, paint.

REFLECTOR

Pure aluminium layer 99.9%, mirror-finish anodized.

ROTATE & TILT



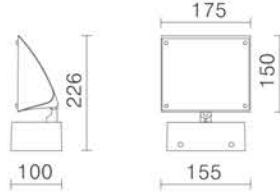
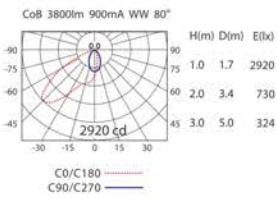
COLOR : WU BK SV LED COLOR : WW NW

BH-513C 



ErP
Class
A

3800lm



LED

CITIZEN CoB

POWER

34W (900mA, 37V)

INPUT

AC 220 - 240V



BA-111R
(800lm)



BA-112R
(800lm)x2



BA-122R
(800lm)x2




BA-124R
(800lm)x4



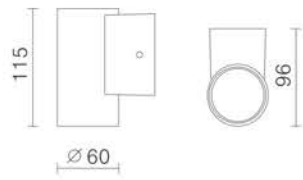
WALL LIGHTS

COLOR : WU BJ SV LED COLOR : WW NW

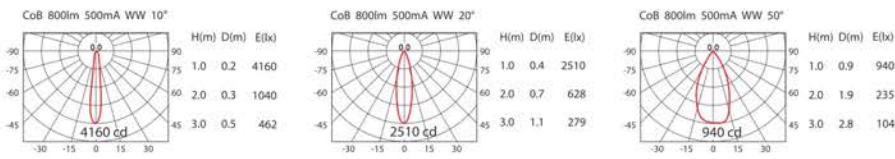
BA-111R




ErP Class **A** 800lm



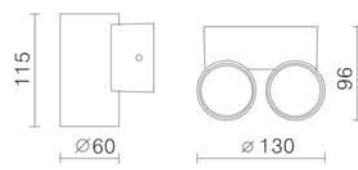
LED	SHARP CoB
POWER	7.5W (500mA, 15V)
INPUT	AC 100 - 240V



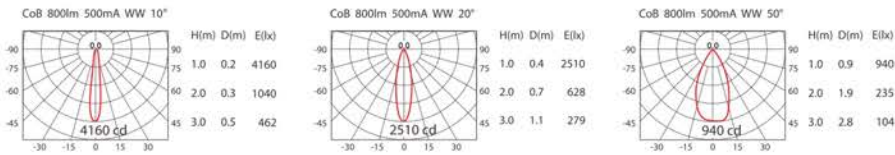
BA-122R




ErP Class **A** 800lmX2



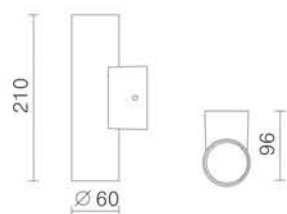
LED	SHARP CoB
POWER	7.5W (500mA, 15V)x2
INPUT	AC 100 - 240V



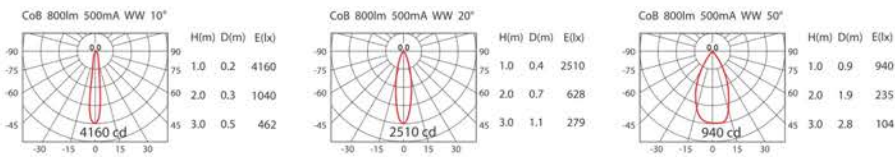
BA-112R



ErP Class **A** 800lmX2




LED	SHARP CoB
POWER	7.5W (500mA, 15V)x2
INPUT	AC 120 - 240V



WALL LIGHTS

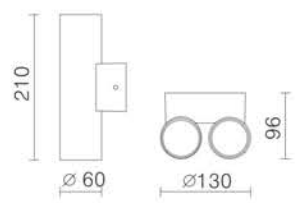
COLOR : WU BJ SV LED COLOR : WW NW

BA-124R



ErP
Class
A

800lmX4



LED

SHARP CoB

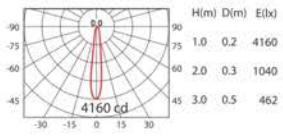
POWER

7.5W (500mA, 15V)x4

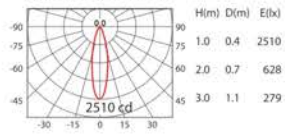
INPUT

AC 120 - 240V

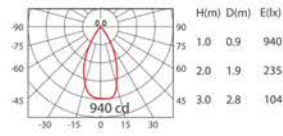
CoB 800lm 500mA WW 10°



CoB 800lm 500mA WW 20°



CoB 800lm 500mA WW 50°



GROUND LIGHTS



Features

- IP67.
- Eco-friendly LED technology along with energy saving and low maintenance cost.
- No UV or IR radiation.

Application

Decorative or guide lighting in hall, foyers, corridor, hallway, garden, park and commercial applications.

FUNCTION

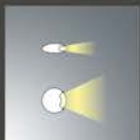
ODL-003P / ODL-003, ODL-003A / B / C
for for walk over only.

MATERIAL

LIGHT FIXTURE
Aluminium, paint, or stainless 316L.

LAMPSHADE
Safety glass.

INSTRUCTION



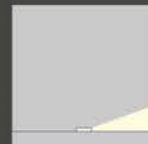
ODL-003A



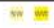
ODL-003B



ODL-003C



GROUND LIGHTS

LED COLOR : 



ODL-003P
(3Wx1)



ODL-003
(3Wx1)



ODL-003A
(3Wx1)




ODL-003B
(3Wx1)




ODL-003C
(3Wx1)

ODL-003P



ErP Class **A**

WALK-OVER

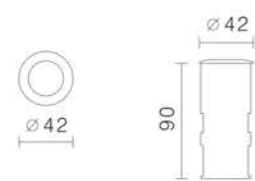


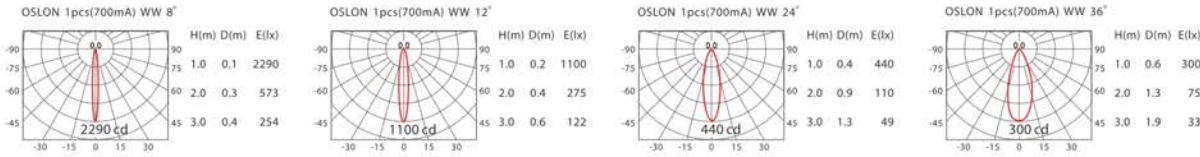
LED / Pieces

OSRAM / 1pcs

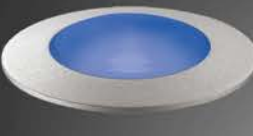
POWER

3W (700mA)






ODL-003



WALK-OVER

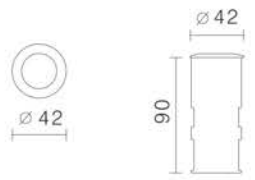


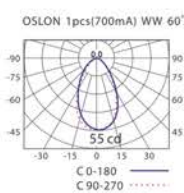
LED / Pieces

OSRAM / 1pcs




POWER





3W (700mA)






GROUND LIGHTS

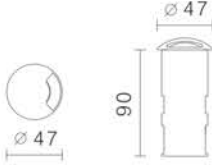
LED COLOR :   

ODL-003A    IP67 

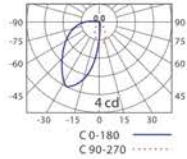






LED / Pieces
OSRAM / 1pcs


POWER
3W (700mA)



OSLON 1pcs(700mA) WW 100°

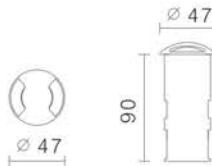


ODL-003B    IP67 

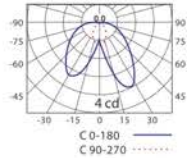






LED / Pieces
OSRAM / 1pcs

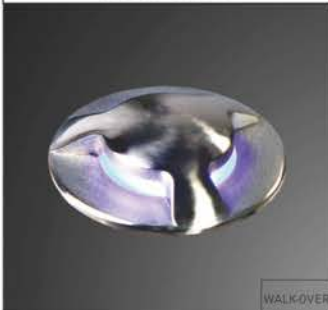
POWER
3W (700mA)



OSLON 1pcs(700mA) WW 100°

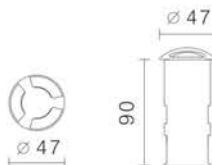


ODL-003C    IP67 

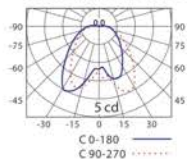


LED / Pieces
OSRAM / 1pcs

POWER
3W (700mA)



OSLON 1pcs(700mA) WW 100°



GROUND LIGHTS



Features

- IP67.
- Eco- friendly LED technology along with energy saving and low maintenance cost.
- Precise optical technology and anti- dazzle design create a visual comfort efficiently and high performance.
- Spot heads with 20° tilt angle maximize the lighting range.

Application

Rotationally symmetrical and smooth light distribution perfectly suitable for wall washer or highlighting buildings, trees, sculptures and so on.

FUNCTION

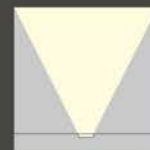
LUMINAIRES
0°-30° tilt.
Only for walk over.

MATERIAL

FRONT FRAME
Stainless 316L, with safety glass.

BODY
Aluminium, paint.

INSTALLATION HOUSING
Plastic.



GROUND LIGHTS



ODL-110(LED)
(1.2Wx1)



ODL-110(MD-03)
(1.2Wx3)



ODL-110SQ(LED)
(1.2x1)



ODL-110SQ(MD-03)
(1.2Wx3)



ODL-165(MD-12)
(1.2Wx12)



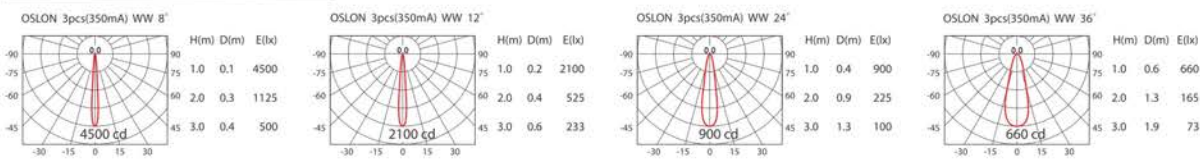
ODL-165SQ(MD-12)
(1.2Wx12)

GROUND LIGHTS

LED COLOR : WW ■ NW ■

ODL-110(LED)		
		LED / Pieces OSRAM / 1pcs
		POWER 1.2W (350mA)
		INPUT AC 100 - 240V

ODL-110(MD-03)		
		LED / Pieces OSRAM / 3pcs
		POWER 1.2Wx3 (350mA)
		INPUT AC 100 - 240V




ODL-110SQ(LED)		
		LED / Pieces OSRAM / 1pcs
		POWER 1.2W (350mA)
		INPUT AC 100 - 240V

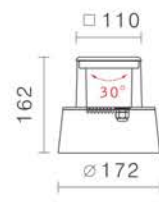
GROUND LIGHTS

LED COLOR : WW ■ NW ■

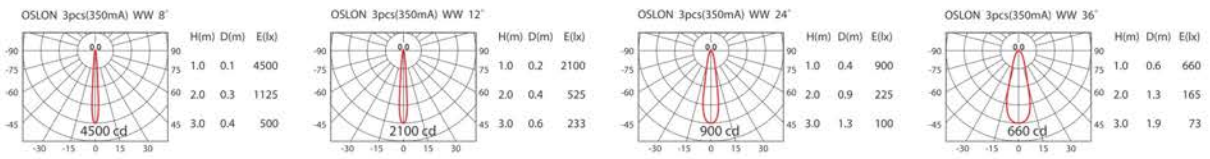
ODL-110SQ(MD-03)




ErP Class **A** WALK-OVER



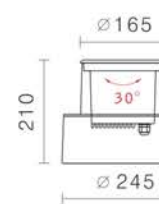
LED / Pieces	
OSRAM	3pcs
POWER	
1.2Wx3	(350mA)
INPUT	
AC 100 - 240V	



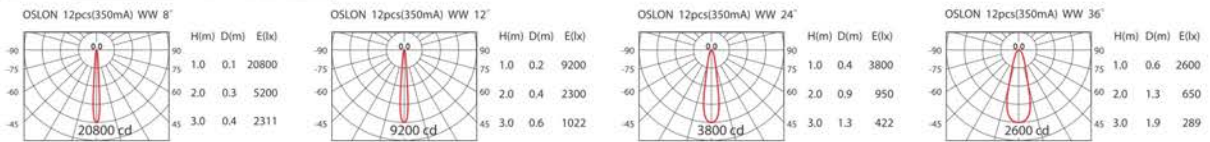
ODL-165(MD-12)




ErP Class **A** WALK-OVER



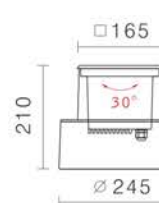
LED / Pieces	
OSRAM	12pcs
POWER	
1.2Wx12	(350mA)
INPUT	
AC 100 - 240V	



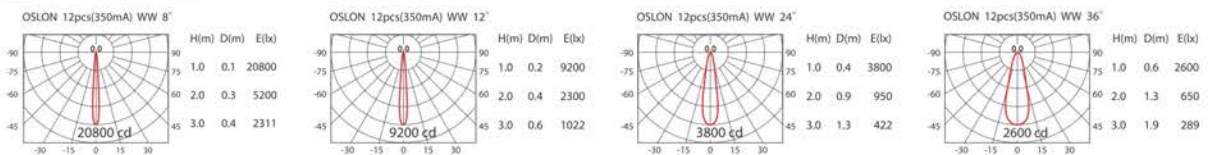
ODL-165SQ(MD-12)



ErP Class **A** WALK-OVER



LED / Pieces	
OSRAM	12pcs
POWER	
1.2Wx12	(350mA)
INPUT	
AC 100 - 240V	



GROUND LIGHTS



Features

- IP67.
- Eco-friendly LED technology along with energy saving and low maintenance cost.
- Patent thermal management guarantees a long lifespan.
- 355° rotation and 120° tilt angle to maximize the lighting range
- Precise optical design creates smooth light distribution.
- Anti-dazzle design efficiently creates visual comfort.
- No UV or IR radiation.

Application

Efficient light distribution for outdoor applications, such as bounding walls, building surface, doorposts, bridges, piers and so on.

FUNCTION

LIGHT HEAD
0° - 120° tilt on the bracket.

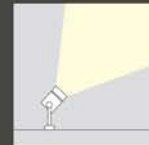
BRACKET
355° rotation on the mounting base.

MATERIAL

LIGHT HEAD
Aluminium, paint.

BRACKET
Aluminium, paint

CABLE
H05RN-F 3x1.0mm².



ACCESSORIES



AC-203

Honeycomb
with glass For
GA-113D
GA-123D



AC-206

Honeycomb
with glass For
GA-116D
GA-126D



AC-209

Honeycomb
with glass For
GA-119D
GA-129D



AC-215

Honeycomb
with glass For
GA-122D
GA-125D
GA-132D
GA-135D

GROUND LIGHTS



GA-113D
(1.2Wx3)



GA-116D
(1.2Wx6)



GA-119D
(1.2Wx9)



GA-122D
(1.2Wx12)



GA-125D
(1.2Wx15)



GA-123D
(1.2Wx3)



GA-126D
(1.2Wx6)



GA-129D
(1.2Wx9)



GA-132D
(1.2Wx12)



GA-135D
(1.2Wx15)

FEATURES OF STRUCTURE

Easy to install on the ground with foot-pressed ground spike.



The connection of brace with the knob helps the luminaire rotation in 355°.





The knob with the scale helps precisely adjusting angle.




GROUND LIGHTS

COLOR : BF ■ SV ■ LED COLOR : WW ■ NW ■

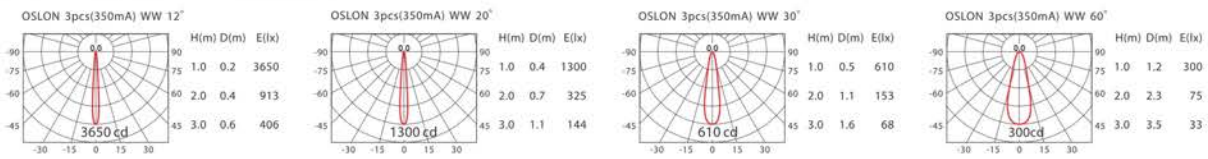
GA-113D-OS-1-12 

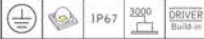



ErP Class A




LED / Pieces	
OSRAM / 3pcs	
POWER	
1.2Wx3 (350mA)	
INPUT	
AC 100 - 240V	



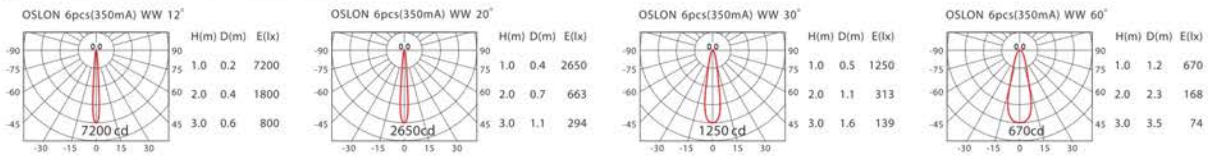
GA-116D-OS-1-12 





ErP Class A




LED / Pieces	
OSRAM / 6pcs	
POWER	
1.2Wx6 (350mA)	
INPUT	
AC 100 - 240V	



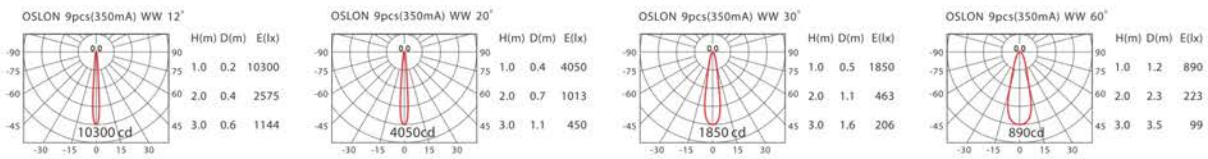
GA-119D-OS-1-12 



ErP Class A





LED / Pieces	
OSRAM / 9pcs	
POWER	
1.2Wx9 (350mA)	
INPUT	
AC 100 - 240V	




GROUND LIGHTS

COLOR : BF ■ SV ■ LED COLOR : WW ■ NW ■

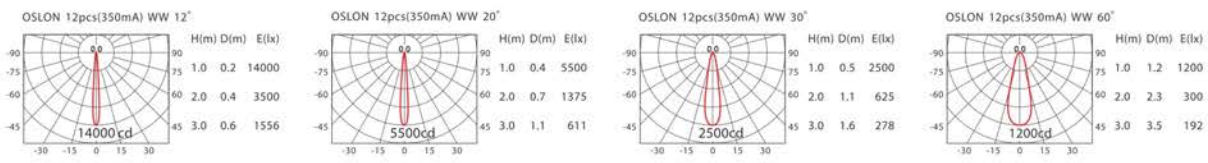
GA-122D-OS-1-12 





ErP Class A



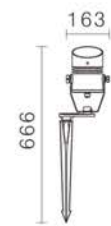
LED / Pieces
OSRAM / 12pcs
POWER
1.2Wx12 (350mA)
INPUT
AC 100 - 240V



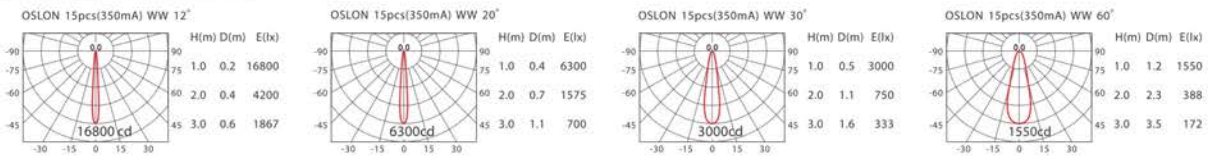
GA-125D-OS-1-12 



ErP Class A




LED / Pieces
OSRAM / 15pcs
POWER
1.2Wx15 (350mA)
INPUT
AC 100 - 240V



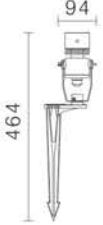
GROUND LIGHTS

COLOR : BF ■ SV ■ LED COLOR : WW ■ NW ■

GA-123D-OS-1-12



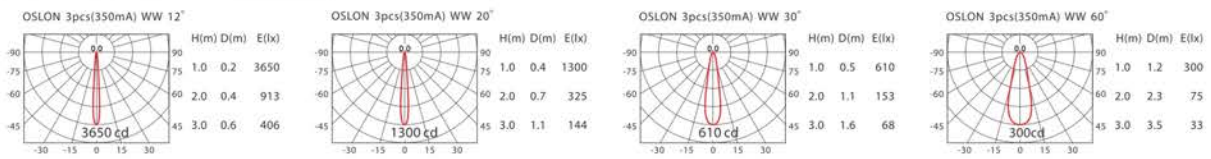
ErP Class **A**




LED / Pieces
OSRAM / 3pcs

POWER
1.2Wx3 (350mA)


INPUT
AC 100 - 240V



GA-126D-OS-1-12



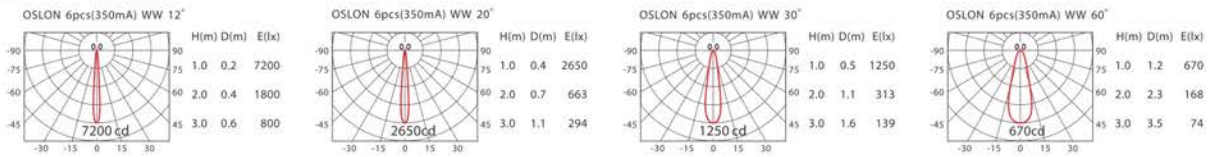
ErP Class **A**




LED / Pieces
OSRAM / 6pcs

POWER
1.2Wx6 (350mA)

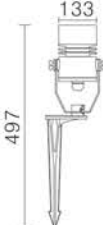
INPUT
AC 100 - 240V



GA-129D-OS-1-12



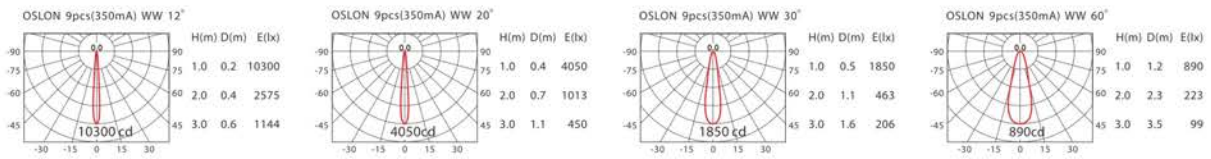
ErP Class **A**



LED / Pieces
OSRAM / 9pcs





POWER
1.2Wx9 (350mA)


INPUT
AC 100 - 240V



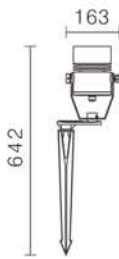
GROUND LIGHTS

COLOR : BF ■ SV ■ LED COLOR : WW ■ NW ■

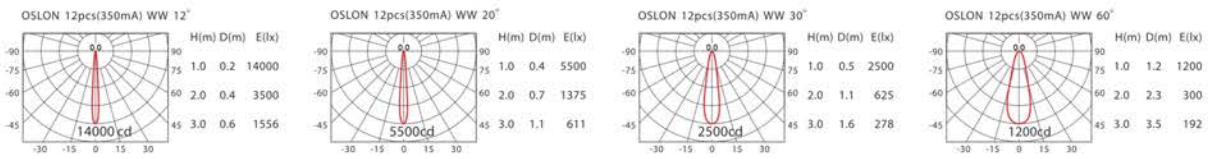
GA-132D-OS-1-12   IP67  3000h  DRIVER Built-in



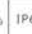




ErP Class **A**



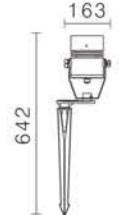
LED / Pieces
OSRAM / 12pcs
POWER
1.2Wx12 (350mA)
INPUT
AC 100 - 240V



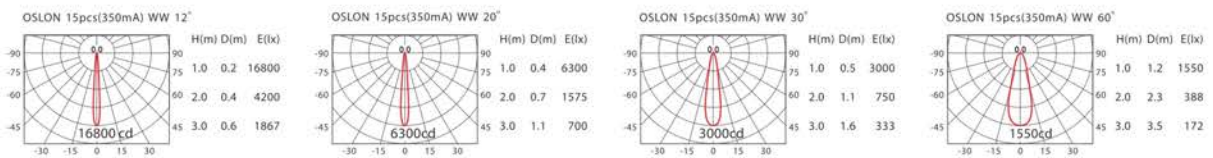
GA-135D-OS-1-12   IP67  3000h  DRIVER Built-in



ErP Class **A**



LED / Pieces
OSRAM / 15pcs
POWER
1.2Wx15 (350mA)
INPUT
AC 100 - 240V



GROUND LIGHTS



Features

- IP67.
- Eco-friendly LED technology along with energy saving and low maintenance cost.
- Precise optical technology and anti-dazzle design create a visual comfort efficiently and high performance.
- No UV or IR radiation.

Application

For illuminating or identifying pathway, garden and park etc.

FUNCTION

355 ° rotate, 0° - 120° tilt.

MATERIAL

LIGHT HEAD
Aluminium, paint.

BRACKET
Aluminium, paint.

GROUND SPIKE
Steel, paint.




ROTATE & TILT



GROUND LIGHTS

COLOR : BF ■ LED COLOR : WW ■ NW ■

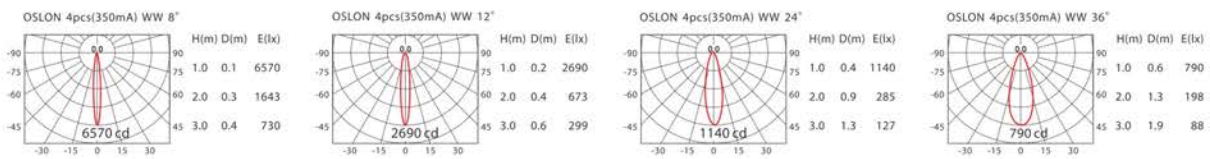
GA-224Q




LED / Pieces
OSRAM / 4pcs

POWER
1.2Wx4 (350mA)

INPUT
AC 100 - 240V



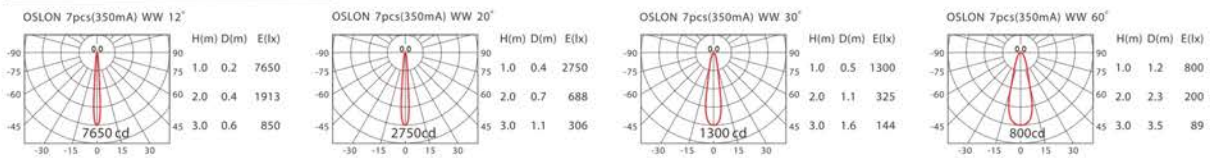
GA-207Q

LED / Pieces
OSRAM / 7pcs

POWER
1.2Wx7 (350mA)

INPUT
AC 100 - 240V



OPTIONAL ACCESSORIES FOR GA-207



Honeycomb AC-217



Sculptured Lens AC-207

GROUND LIGHTS



Features

- IP65.
- Eco-friendly LED technology along with energy saving and low maintenance cost.
- Precise optical technology and anti-dazzle design create a visual comfort efficiently and high performance.

Application

For illuminating or identifying pathway, garden and park etc.

FUNCTION

LUMINAIRE
0° - 90° tilt.

MATERIAL

LUMINAIRE
Aluminium, paint.



BRACKET
Aluminium, paint, with belt.


ROTATE & TILT



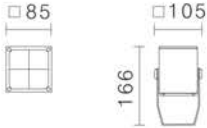
GROUND LIGHTS

COLOR : BF ■ LED COLOR : WW ■ NW ■

GA-214Q-OS-1-8   IP67 DRIVER



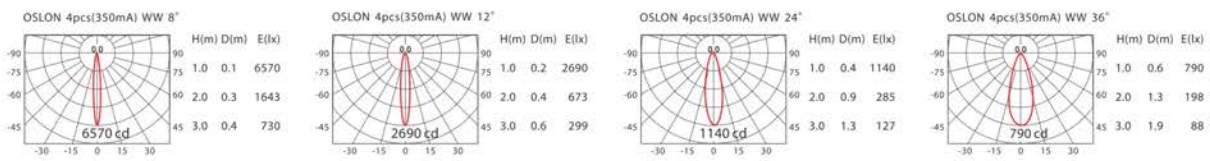
ErP Class A






LED / Pieces
OSRAM / 4pcs

POWER
1.2Wx4 (350mA)

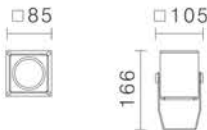
INPUT
AC 100 - 240V



GA-217Q-OS-1-8   IP67 DRIVER



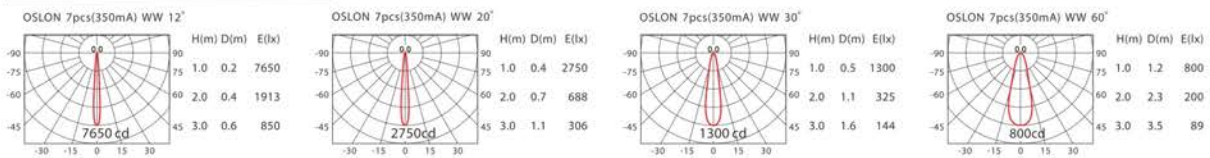
ErP Class A



LED / Pieces
OSRAM / 7pcs

POWER
1.2Wx7 (350mA)

INPUT
AC 100 - 240V



OPTIONAL ACCESSORIES FOR GA-217Q



Honeycomb AC-217



Sculptured Lens AC-207

GROUND LIGHTS



Features

- The series is with elegant design and deep anti-dazzled design.
- Eco-friendly CoB technology with energy saving and low maintenance cost.
- Designed with angle-marking knob on the side, can be precise adjusted the tilting angle by installer.
- IP67 and good thermal management guarantees 40,000 hours lifespan.
- Easy to install on the ground with foot-step ground spike.
- No UV or IR radiation.

Application

Spotlight for garden, tree and private house.

ANGLE-MARKING KNOB ON THE SIDE



FOOT-STEP GROUND SPIKE



FUNCTION

LIGHT HEAD
0° - 140° tilt.
BRACKET
0° - 355° rotate.

MATERIAL

LIGHT HEAD
Aluminium, painting.
BRACKET
Aluminum, painting.
CABLE
H05RN-F 3x1.0mm².

ROTATE & TILT




ACCESSORIES




OFA-108P	AC-108C	AC-108D
OFA-107P	AC-107C	AC-107D
OFA-105P	AC-105C	AC-105D


GROUND LIGHTS

COLOR : BF ■ SB ■ LED COLOR : WW ■ NW ■

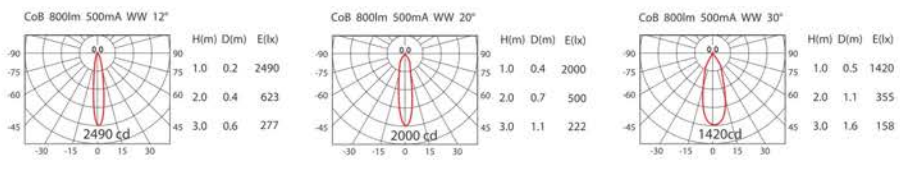
OFA-108P 





ErP Class **A** 800lm




LED	
SHARP CoB	
POWER	
7.5W (500mA, 15V)	
INPUT	
AC 100 - 240V	



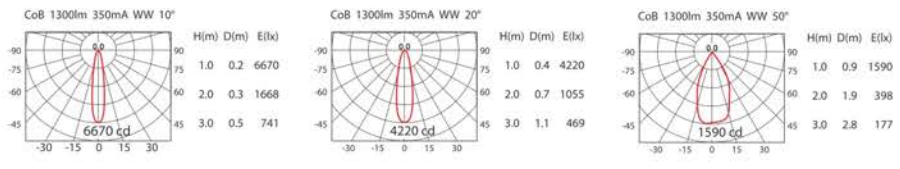
OFA-107P 





ErP Class **A** 1300lm



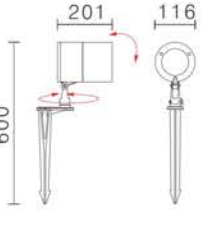
LED	
SHARP CoB	
POWER	
13W (350mA, 37V)	
INPUT	
AC 100 - 240V	



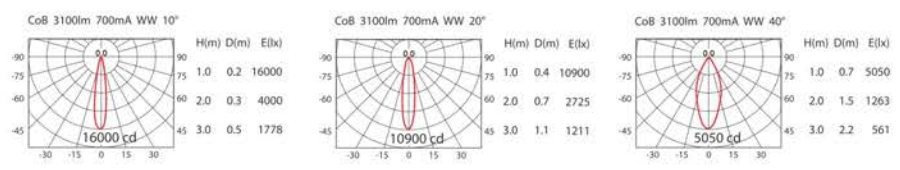
OFA-105P 



ErP Class **A** 3100lm



LED	
CITIZEN CoB	
POWER	
25.5W(700mA,36V)	
INPUT	
AC 120 - 240V	



GROUND LIGHTS



Features

- IP65.
- Eco-friendly LED technology along with energy savings and low maintenance cost.
- Patent thermal management guarantees a long lifespan.
- Anti-dazzle design create a visual comfort.
- No UV or IR radiation.
- Either mounting box or earth spike for portable applications.

Application

Single-sided light output suitable for pathways, driveways or squares.

MATERIAL

LUMINAIRE

Aluminium, paint.

BRACKET

Aluminium, paint.

GROUND SPIKE

Aluminium, paint.

CABLE

H05RN-Fx1.0mm².

SPIKE FOR GROUND



AC-215A
spike: aluminium,
paint.

GA-203A

GA-203Q

GROUND LIGHTS

COLOR : BF ■ LED COLOR : WW ■ NW ■

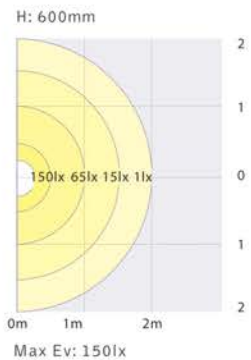
GA-203A														
<p>ErP Class A</p>		LED / Pieces OSRAM / 3pcs												
		POWER 1.2Wx3 (350mA)												
<p>SQUARE 3pcs(350mA) WW 80°</p> <table border="1"> <thead> <tr> <th>H(m)</th> <th>D(m)</th> <th>E(lx)</th> </tr> </thead> <tbody> <tr> <td>1.0</td> <td>1.7</td> <td>70</td> </tr> <tr> <td>2.0</td> <td>3.4</td> <td>18</td> </tr> <tr> <td>3.0</td> <td>5.0</td> <td>8</td> </tr> </tbody> </table> <p>C0-180 ——— C90-270 ·····</p>		H(m)	D(m)	E(lx)	1.0	1.7	70	2.0	3.4	18	3.0	5.0	8	INPUT AC 100 - 240V
H(m)	D(m)	E(lx)												
1.0	1.7	70												
2.0	3.4	18												
3.0	5.0	8												

GA-203Q														
<p>ErP Class A</p>		LED / Pieces OSRAM / 3pcs												
		POWER 1.2Wx3 (350mA)												
<p>SQUARE 3pcs(350mA) WW 80°</p> <table border="1"> <thead> <tr> <th>H(m)</th> <th>D(m)</th> <th>E(lx)</th> </tr> </thead> <tbody> <tr> <td>1.0</td> <td>1.7</td> <td>70</td> </tr> <tr> <td>2.0</td> <td>3.4</td> <td>18</td> </tr> <tr> <td>3.0</td> <td>5.0</td> <td>8</td> </tr> </tbody> </table> <p>C0-180 ——— C90-270 ·····</p>		H(m)	D(m)	E(lx)	1.0	1.7	70	2.0	3.4	18	3.0	5.0	8	INPUT AC 100 - 240V
H(m)	D(m)	E(lx)												
1.0	1.7	70												
2.0	3.4	18												
3.0	5.0	8												

SURFACE TREATMENT



GA-203



GROUND LIGHTS



Features

- IP65.
- Eco-friendly LED technology along with energy saving and low maintenance cost.
- Patent thermal management guarantees a long lifespan.
- Anti-dazzle design create a visual comfort.
- No UV or IR radiation.
- Either mounting box or earth spike for portable applications.

Application

Single-sided light output suitable for pathways, driveways or squares.

MATERIAL

LUMINAIRE
Aluminium, paint.

BRACKET
Aluminium, paint.

GROUND SPIKE
Aluminium, paint.

SPIKE FOR GROUND



GROUND LIGHTS



GA-206A
(1.2Wx6)



GA-206Q
(1.2Wx6)



GA-216A
(1.2Wx8)

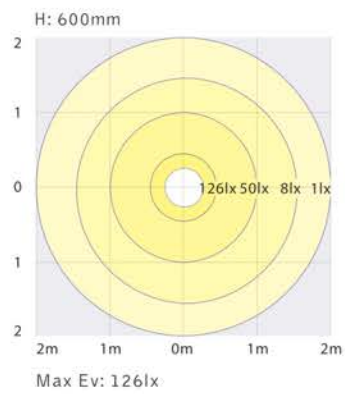


GA-216Q
(1.2Wx8)

SURFACE TREATMENT







GA-206



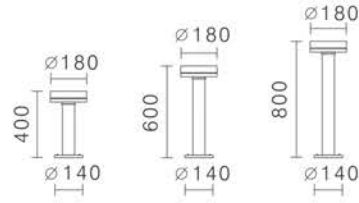
GROUND LIGHTS

COLOR : BF ■ LED COLOR : WW ■ NW ■

GA-206A-0S-1-80   IP65  DRIVER Built-in



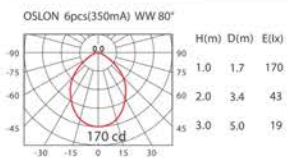
ErP Class A







LED / Pieces
OSRAM / 6pcs

POWER
1.2Wx6 (350mA)

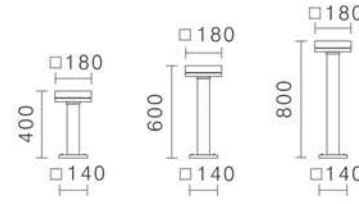
INPUT
AC 100 - 240V



GA-206Q-0S-1-80   IP65  DRIVER Built-in



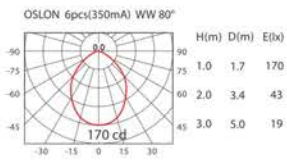
ErP Class A



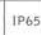



LED / Pieces
OSRAM / 6pcs

POWER
1.2Wx6 (350mA)

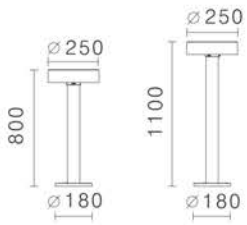
INPUT
AC 100 - 240V



GA-216A-0S-1-80   IP65  DRIVER Built-in



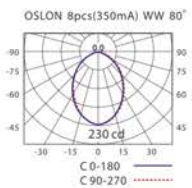
ErP Class A



LED / Pieces
OSRAM / 8pcs





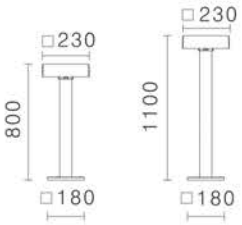
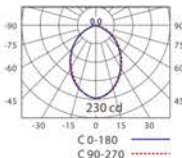
POWER
1.2Wx8 (350mA)

INPUT
AC 100 - 240V



GROUND LIGHTS

COLOR : BF ■ LED COLOR : WW ■ NW ■

GA-216Q-0S-1-80	  IP65 							
 <p>ErP Class A</p>		<table border="1"> <tr> <td>LED / Pieces</td> </tr> <tr> <td>OSRAM / 8pcs</td> </tr> <tr> <td>POWER</td> </tr> <tr> <td>1.2Wx8 (350mA)</td> </tr> <tr> <td>INPUT</td> </tr> <tr> <td>AC 100 - 240V</td> </tr> </table>	LED / Pieces	OSRAM / 8pcs	POWER	1.2Wx8 (350mA)	INPUT	AC 100 - 240V
LED / Pieces								
OSRAM / 8pcs								
POWER								
1.2Wx8 (350mA)								
INPUT								
AC 100 - 240V								
<p>OSLON 8pcs(350mA) WW 80°</p>  <p>C 0-180 ——— C 90-270 ······</p>								



GROUND LIGHTS



Features

- IP65.
- Eco-friendly LED technology along with energy saving and low maintenance cost.
- Optimal thermal management guarantees a long lifespan.
- Anti-dazzle design creates visual comfort.
- No UV or IR radiation.
- Either mounting cuboid or ground spike for installation.

Application

Wall washer for facade and vertical illumination.

FUNCTION

LUMINAIRES

0° - 90° tilt and 355° rotation.

MATERIAL

LUMINAIRES

Die-casting aluminium, plating, with glass.

BRACKET

Aluminium, painting.

SPIKE

Steel, painting.

SPIKE FOR GROUND

400



AC-215B
spike: steel,
plating.






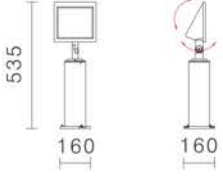


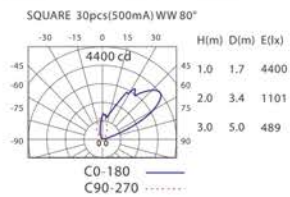
GA-130A






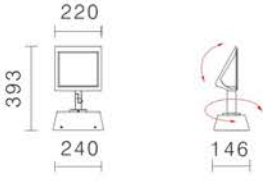


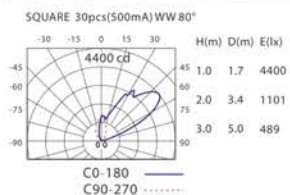
GROUND LIGHTS

COLOR : BF ■ SV ■ LED COLOR : WW ■ NW ■

GA-130A	   	<p>LED / Pieces</p> <p>OSRAM / 30pcs</p> <hr/> <p>POWER</p> <p>2Wx30 (500mA)</p> <hr/> <p>INPUT</p> <p>AC 220 - 240V</p>
 <p>ErP Class A</p>		



GA-130Q	   	<p>LED / Pieces</p> <p>OSRAM / 30pcs</p> <hr/> <p>POWER</p> <p>2Wx30 (500mA)</p> <hr/> <p>INPUT</p> <p>AC 220 - 240V</p>
 <p>ErP Class A</p>		



APPLICATION



Distance between luminaires : 1m-1.5m

GROUND LIGHTS



Features

- IP65.
- Eco-friendly LED technology along with energy saving and low maintenance cost.
- Patent thermal management guarantees a long lifespan.
- Anti-dazzle design create a visual comfort.
- No UV or IR radiation.
- Either mounting box or earth spike for portable applications.

Application

Precise light distribution for narrow beam light applications.

FUNCTION

LUMINAIRE

0°- 90° tilt and 355° rotation.

MATERIAL

LUMINAIRE

Aluminium, painting, with glass,

BRACKET

Aluminium, painting.

SPIKE

Steel, painting.

SPIKE FOR GROUND MOUNTED

400



AC-215B
spike: steel,
plating.

555




160
GA-230A



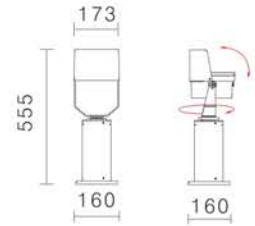
GROUND LIGHTS

COLOR : BF ■ SV ■ LED COLOR : WW ■ NW ■

GA-230A



ErP Class **A**



LED / Pieces

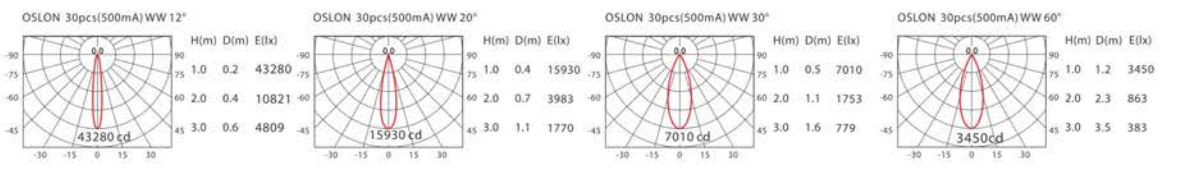
OSRAM / 30pcs

POWER


2Wx30 (500mA)

INPUT

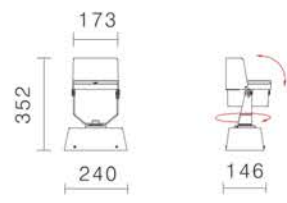
AC 220 - 240V



GA-230Q



ErP Class **A**



LED / Pieces

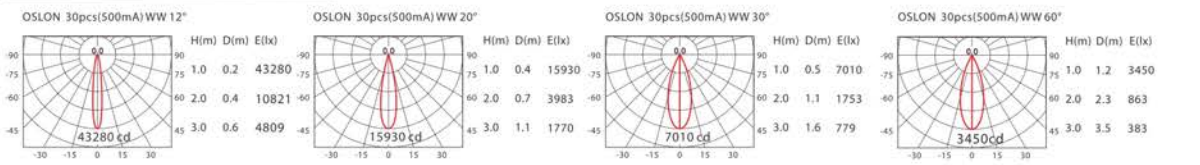
OSRAM / 30pcs

POWER

2Wx30 (500mA)

INPUT

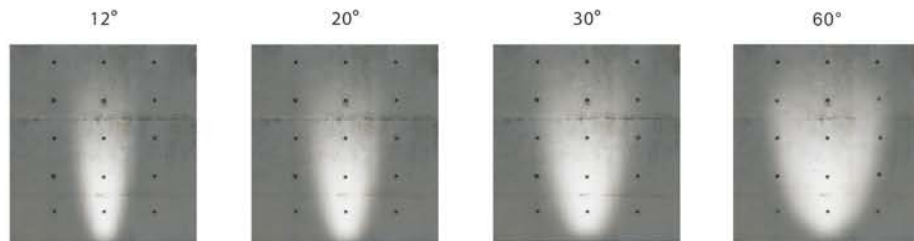
AC 220 - 240V



DRAIN HOLE



BEAM ANGLE



GROUND LIGHTS



Features

- IP65.
- Eco-friendly LED technology along with energy saving and low maintenance cost.
- Good thermal management guarantees a long lifespan.
- Anti-dazzle design creates visual comfort.
- No UV or IR radiation.
- Either mounting cuboid or ground spike for portable application.

Application

Wall washer for facade and vertical illumination.

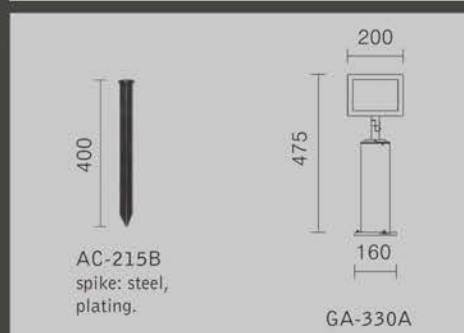
FUNCTION

LUMINAIRE
0°- 90° tilt and 355° rotation.

MATERIAL






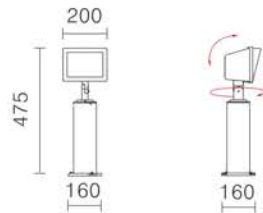
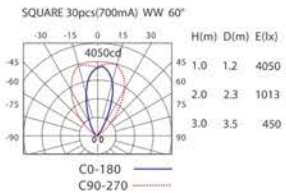
LUMINAIRE
Aluminium, painting, with glass.
BRACKET
Aluminium, painting.
SPIKE
Steel, painting.






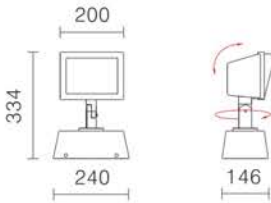
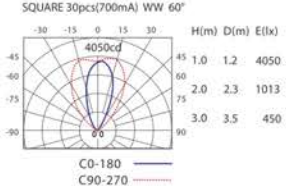
SPIKE FOR GROUND MOUNTED



GROUND LIGHTS

COLOR : BF ■ SV ■ LED COLOR : WW ■ NW ■

GA-330A	   	
 <p>ErP Class A</p>		<p>LED / Pieces OSRAM / 30pcs</p> <p>POWER 3Wx30 (700mA)</p> <p>INPUT AC 220 - 240V</p>
<p>SQUARE 30pcs(700mA) WW 60°</p> 		

GA-330Q	   	
 <p>ErP Class A</p>		<p>LED / Pieces OSRAM / 30pcs</p> <p>POWER 3Wx30 (700mA)</p> <p>INPUT AC 220 - 240V</p>
<p>SQUARE 30pcs(700mA) WW 60°</p> 		

APPLICATION



Distance between luminaires : 1.5m-2.5m



OWG-705R

Hyper Energy Saving

CoB: 1700lm@18.5W(500mA)
 3100lm@25.5W(700mA)
 3800lm@34W(900mA)
 4700lm@38W(1050mA)

Hyper Long Lifespan

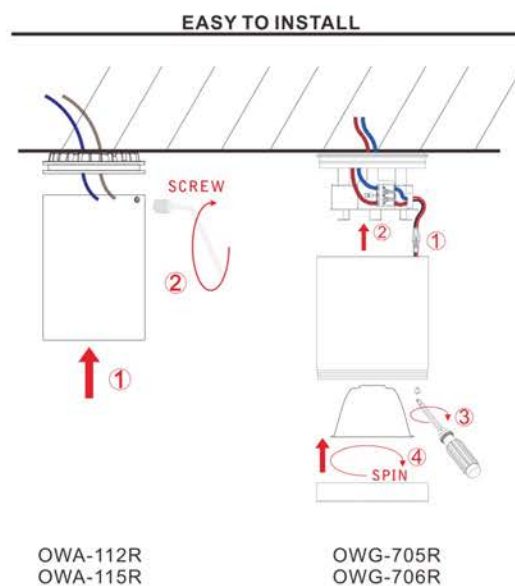
CoB: 40,000 hours
 Low Maintenance Cost

■ Features

- Designed with easy wire-through function available.
- With IP65 mechanism and protection glass on the front, easy to clean and maintain.
- OWA-112R/115R Installation with screws on the sides, very easy for end users
- OWG-705R/706R Installation without screws seeable outside, better outlooking
- Driver built-in, very easy for installation.
- Eco-friendly technology of CoB with the high energy saving and low maintenance cost.
- Good thermal management design guarantees long lifespan.
- More flexibility of changing different beam angle reflectors to meet different spot and flood application.

■ Application

Outdoor ceiling mounted luminaire good for balcony, garage, garden and villa.

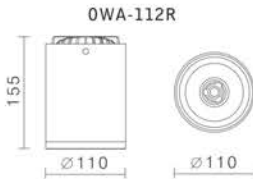
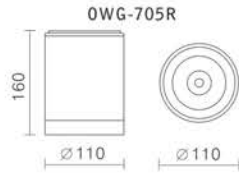


CEILING LIGHTS

COLOR : BF ■ SB ■ LED COLOR : WW ■ NW ■



1700lm
*3100lm

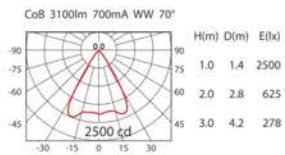
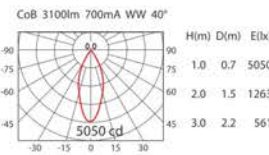
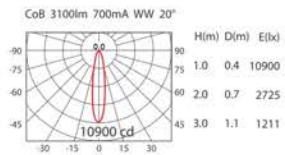
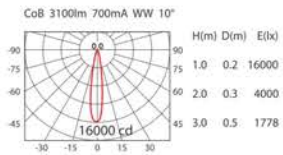


OWG-705R/OWA-112R

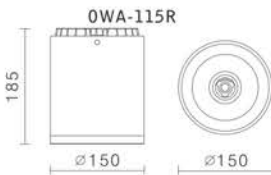
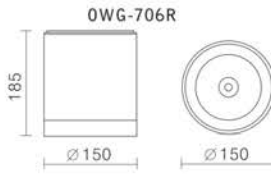
CoB	POWER	LED COLOR	COLOR
CITIZEN	25.5W(700mA,36V) AC 220-240V AC 100-240V(*)	■ WW ■ NW	■ BF ■ SB

Housing: aluminium, paint.

*OWA-112R



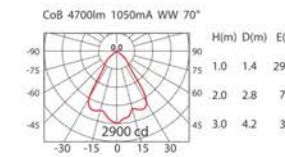
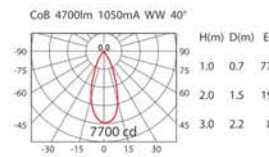
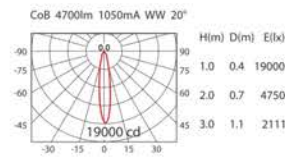
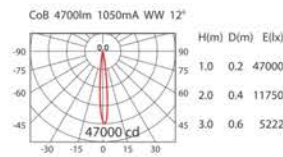
3800lm
*4700lm



OWG-706R/OWA-115R

CoB	POWER	LED COLOR	COLOR
CITIZEN	38W(1050mA, 36V) AC 220-240V	■ WW ■ NW	■ BF ■ SB

Housing: aluminium, paint.



CEILING LIGHTS



Features

- IP65 Simplified style.
- Eco-friendly LED technology along with energy saving and low maintenance cost.
- Patent thermal management guarantees a long lifespan.
- Precise optical technology create a high performance.
- Anti-dazzle design with 40° cut-off angle create a visual comfort.
- No UV or IR radiation.

Application

For outdoor application such as station, garage, veranda and balcony.

FUNCTION

Anti-dazzle design.
IP65.

MATERIAL

LIGHT FIXTURE
Aluminium, paint.

LAMPSHADE
Safety glass.

EASY TO INSTALL


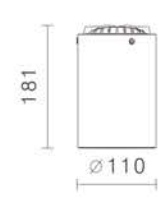


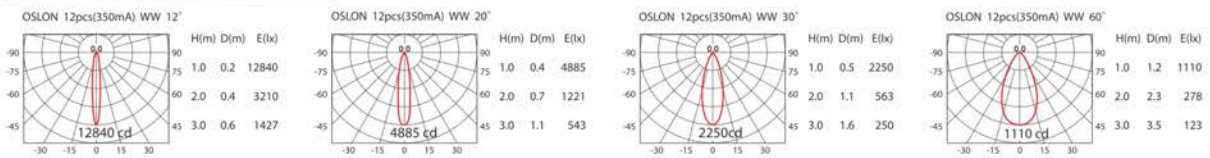



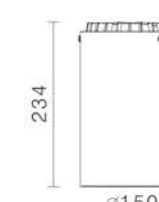
GS-112A

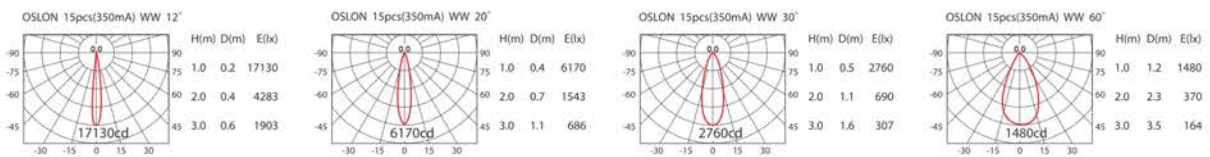


GS-115A

GS-112A				IP65		DRIVER Built-in
 <p>ErP Class A</p>			<p>LED / Pieces</p> <p>OSRAM / 12pcs</p> <p>POWER</p> <p>1.2Wx12 (350mA)</p> <p>INPUT</p> <p>AC 100 - 240V</p>			



GS-115A				IP65		DRIVER Built-in
 <p>ErP Class A</p>			<p>LED / Pieces</p> <p>OSRAM / 15pcs</p> <p>POWER</p> <p>1.2Wx15 (350mA)</p> <p>INPUT</p> <p>AC 100 - 240V</p>			



WALL LIGHTS



Features

- IP65.
- Eco-friendly LED technology with energy saving and low maintenance cost.
- Optimal thermal management guarantees a long lifespan.
- No UV or IR radiation.
- Suitable for a pre-embedded box in the wall, easy to install.

Application

As the orientation luminaires on the outdoors walls of the building, porches, hallways, corridors, and stairways.

MATERIAL

MOUNTING FRAME

Aluminium, painting, with glass.

HOUSING

Aluminium, painting.

INSTALLATION BOX

Plastic, black.(AC-001A, AC-101B, AC-101C)

Steel, plating.(AC-002A, AC-102B, AC-102C)



INSTRUCTION FOR CONCRETE WALL INSTALLATION

<p>KR-001 If the external flexible cable or cord of this luminaire is damaged, it shall be exclusively replaced by the manufacturer or his service agent or a similar qualified person in order to avoid a hazard.</p> <p> Do not stare at the light source</p> <p></p>	<p>Step:1 Concrete Installation</p>	<p>Step:2</p>	<p>Step:3</p>	<p>Step:4-a (No Installation accessories)</p> <p>Note: Please keep the cable outlet in the same vertical direction with the inlet to luminaires</p> <p>Note: In order to reach the required IP, the input cable for the luminaires must be H05RN-F 3G1.0mm² and threading through before stripping.</p>
<p>Step:4-b (With Installation accessories)</p> <p>1. Fix the cover of the installation box on the master plate, then use the screw fix the installation box on the master plate.</p>	<p>2. Pouring in the concrete around the installation box and remove the master plate after the concrete was dry.</p>	<p>3. If the cover of the installation box cannot be removed together with master plate, please use the screwdriver to remove the cover. And use the knife to cut the extra length of the screw to make sure the luminaires can be well matched with the installation box.</p>	<p>Step:5</p> <p>Note: Please keep the cable outlet in the same vertical direction with the inlet to luminaires</p> <p>blue/brown green/yellow</p> <p>0.5-2.5mm² with release facility</p>	<p>Step:6</p>

WALL LIGHTS



KR-001A

KR-001B

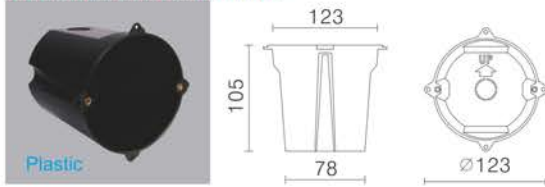
KR-101A

KR-101B

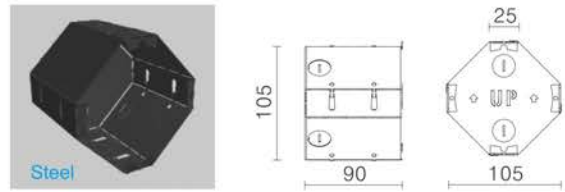
KR-101C

PRE-INSTALL BOX

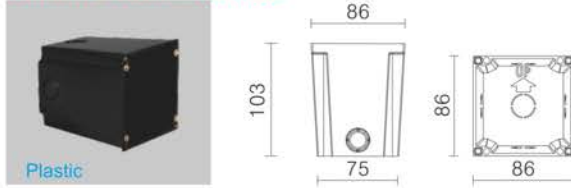
AC-001A For KR-001A KR-001B
*Available accessories AC-003A.



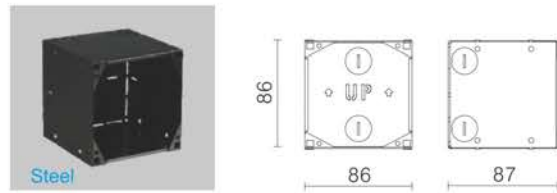
AC-002A For KR-001A KR-001B



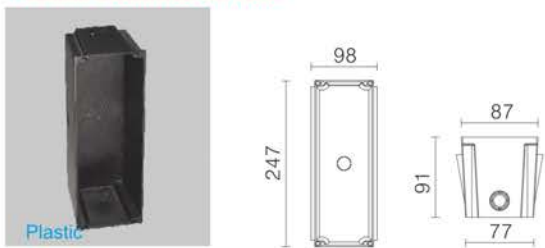
AC-101B For KR-101A KR-101B
*Available accessories AC-103B.



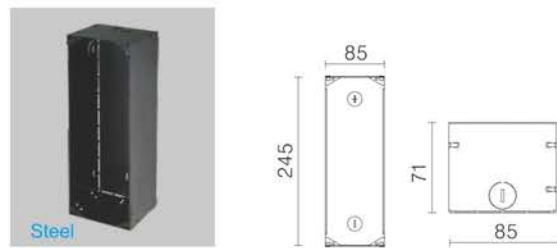
AC-102B For KR-101A KR-101B



AC-101C For KR-101C
*Available accessories AC-103C.



AC-102C For KR-101C



PRE-INSTALL SUPPORT FRAME



AC-003A For AC-001A








AC-103B For AC-101B




AC-103C For AC-101C


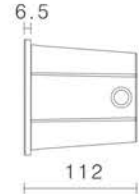
WALL LIGHTS

COLOR : BF ■ SV ■ LED COLOR : WW ■ NW ■

KR-001A   IP65   



Available Accessories
Installation box: AC-001A
AC-002A

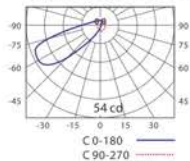








LED / Pieces
OSRAM / 1pcs


POWER
3W (700mA)

INPUT
AC 100 - 240V


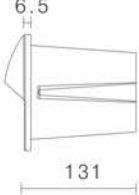
SQUARE 1pcs(700mA) WW 80°



KR-001B   IP65   



Available Accessories
Installation box: AC-001A
AC-002A

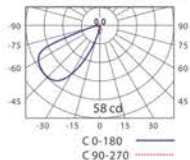








LED / Pieces
OSRAM / 1pcs


POWER
3W (700mA)

INPUT
AC 100 - 240V

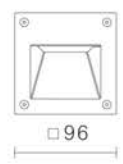
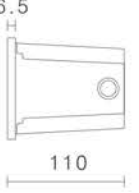
SQUARE 1pcs(700mA) WW 95°



KR-101A   IP65   



Available Accessories
Installation box: AC-101B
AC-102B

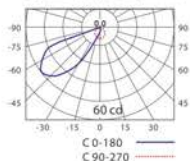



LED / Pieces
OSRAM / 1pcs

POWER
3W (700mA)






INPUT
AC 100 - 240V


SQUARE 1pcs(700mA) WW 90°



WALL LIGHTS

COLOR : BF ■ SV ■ LED COLOR : WW ■ NW ■

KR-101B   IP65  DRIVER  Build-in  7000h

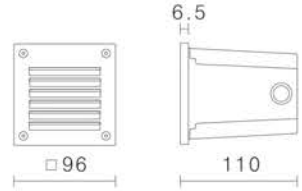


Available Accessories
Installation box: AC-101B
AC-102B

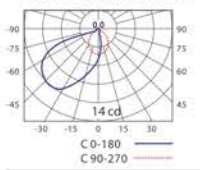
LED / Pieces
OSRAM / 1pcs






POWER
3W (700mA)


INPUT
AC 100 - 240V



SQUARE 1pcs(700mA) WW 110°



KR-101C   IP65  DRIVER  Build-in  7000h

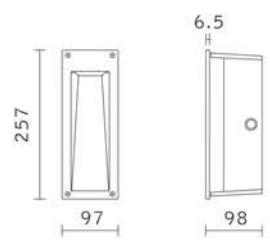


Available Accessories
Installation box: AC-101C
AC-102C

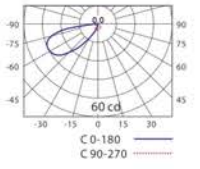
LED / Pieces
OSRAM / 1pcs

POWER
3W (700mA)

INPUT
AC 100 - 240V



SQUARE 1pcs(700mA) WW 100°



WALL LIGHTS



Features

- IP65 suitable for the outdoor surroundings.
- KR-104 series have 4 kinds of panels meet various demands.
- Adopting high-quality LED light source offers energy-saving, high power-efficacy, and high color rendering at 82%.
- Optimal thermal management guarantees a long lifespan.
- Special structure with matt glass makes smooth light distribution.
- No UV or IR radiation.
- Suitable for a pre-embedded box in the wall, easy to install.

Application

As the orientation luminaires on the external walls of the building, porches, hallways, corridors, and stairways.

MATERIAL

MOUNTING FRAME
Aluminium,
paint with safety glass .

HOUSING
Aluminium, paint.

INSTALLATION BOX
Plastic black.

INSTALLATION HOUSING

AC-104
Housing: Steel, electrolytic.

AC-104S
Housing: stainless 304



WALL LIGHTS



KR-104A



KR-104B



KR-104C



KR-104D

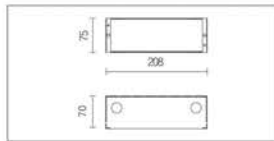
INSTALLATION HOUSING



AC-104

Housing: Steel.

*Available accessories AC-104E.



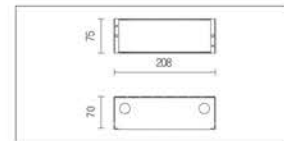
75x215
H:70



AC-104S

Housing: stainless Steel 304.

*Available accessories AC-104E.



75x215
H:70





PRE-INSTALL SUPPORT FRAME




AC-104E For AC-104 & AC-104S.

WALL LIGHTS

COLOR : WU BK SY LED COLOR : WW NW

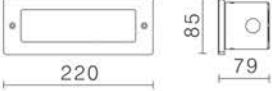
KR-104A   IP65  



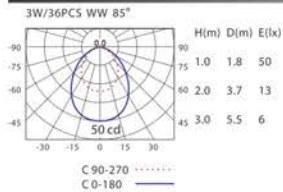
LED / Pieces
OSRAM E3 / 36pcs


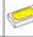


POWER
0.06Wx36 (24V)


INPUT
AC 100 - 240V



ErP Class **A**



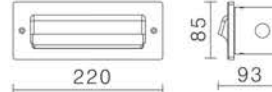
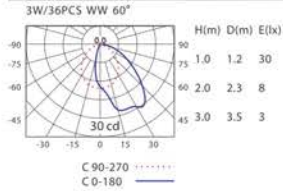
KR-104B   IP65  








LED / Pieces
OSRAM E3 / 36pcs

POWER
0.06Wx36 (24V)

INPUT
AC 100 - 240V


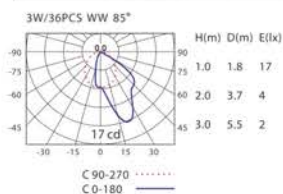
KR-104C   IP65  



LED / Pieces
OSRAM E3 / 36pcs

POWER
0.06Wx36 (24V)

INPUT
AC 100 - 240V

WALL LIGHTS

COLOR : WU BK SY LED COLOR : WW NW



KR-104D



LED / Pieces

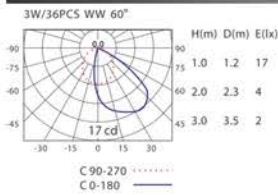
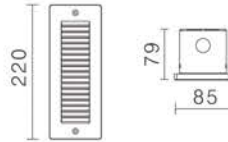
OSRAM E3 / 36pcs

POWER

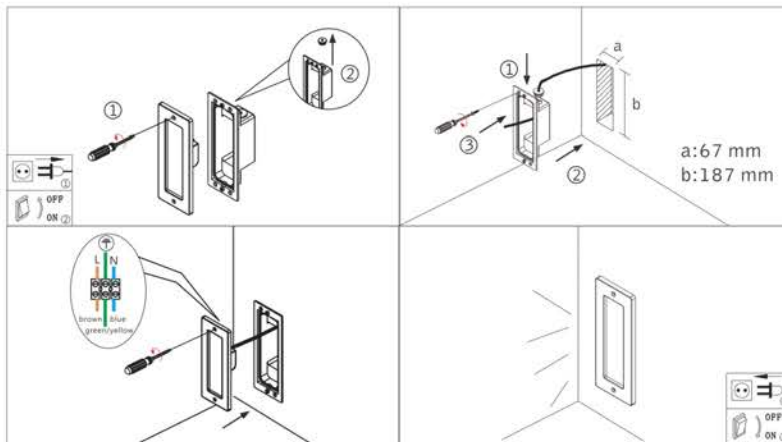
0.06Wx36 (24V)

INPUT

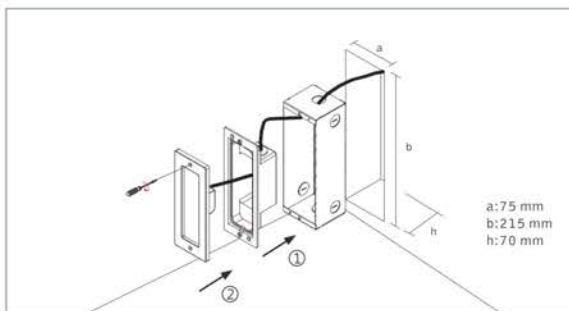
AC 100 - 240V



MOUNTING INSTRUCTION FOR WOODEN WALL



MOUNTING INSTRUCTION FOR CONCRETE WALL



WALL LIGHTS



Features

- IP65 and easy to install suitable for the outdoor surroundings.
- Both LED & CoB available, energysaving & low maintenance cost.
- Optimal thermal management guarantees a long lifespan.
- Anti-dazzle design create visual comfort.
- No UV radiation.

Application

Suitable for the external walls of the building, porches, hallways, corridors, and parking it.

MATERIAL

LIGHT FIXTURE
Aluminium, paint.

WALL LIGHTS



KR-504R
(2.4Wx4)



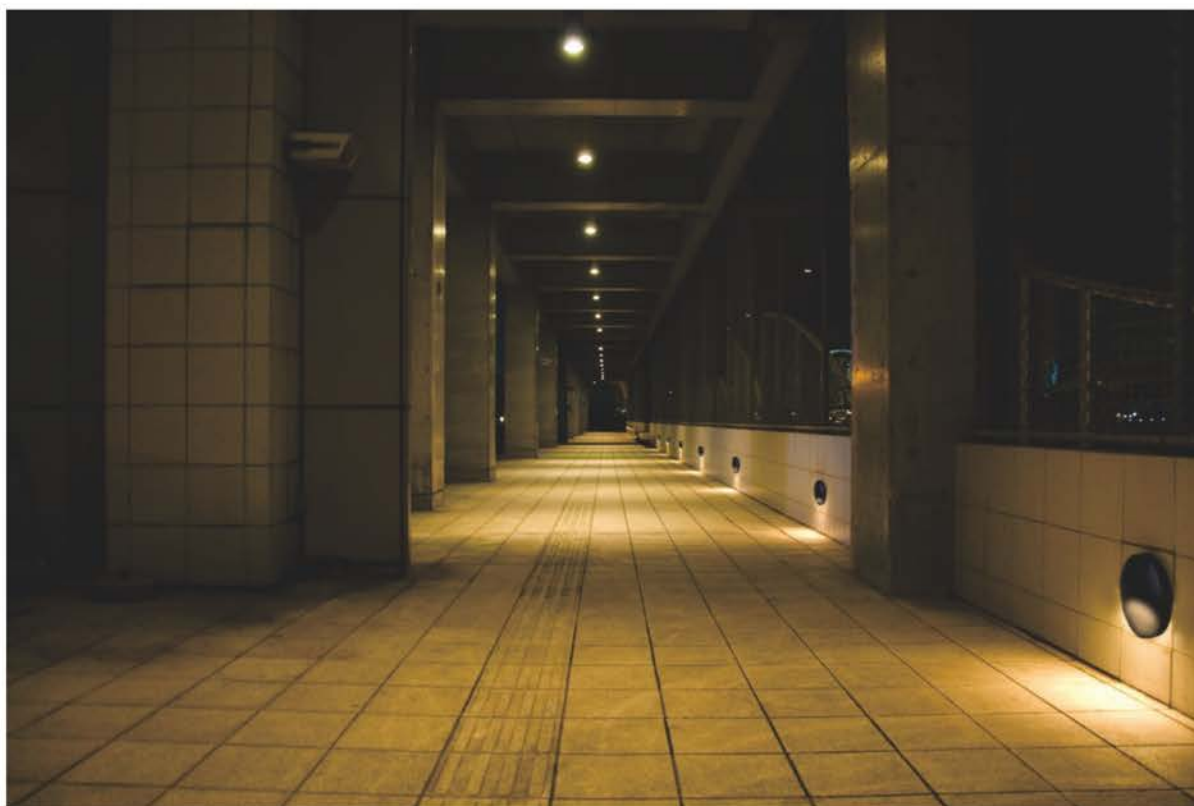
KR-504S
(2.4Wx4)



KR-504CR
(*800lm)
(1300lm)







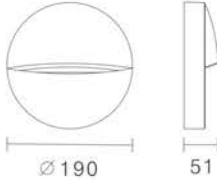
KR-504CS
(*800lm)
(1300lm)



WALL LIGHTS

COLOR : BF ■ SB ■ LED COLOR : WW ■ NW ■

KR-504R   IP65  DRIVER Build-in

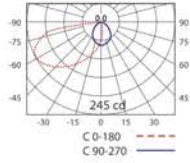






LED / Pieces
OSRAM / 4pcs


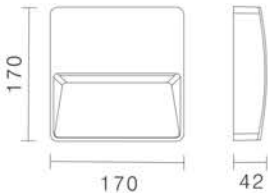
POWER
2.4Wx4 (700mA)

INPUT
AC 100 - 240V

SQUARE 4pcs(700mA) WW 100°



KR-504S   IP65  DRIVER Build-in

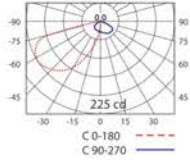



LED / Pieces
OSRAM / 4pcs

POWER
2.4Wx4 (700mA)





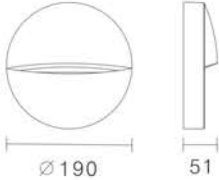
INPUT
AC 100 - 240V

SQUARE 4pcs(700mA) WW 95°

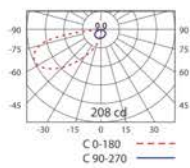






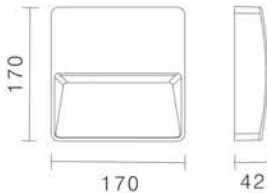
WALL LIGHTS

COLOR : BF ■ SB ■ LED COLOR : WW ■ NW ■

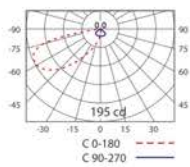
KR-504CR	  IP65 	 <p style="text-align: right;">*800lm 1300lm</p>		<p>LED</p> <p>SHARP CoB</p> <p>POWER</p> <p>*7.5W (500mA, 15V) *800lm for standard application</p> <p>INPUT</p> <p>AC 100 - 240V</p>
----------	------------------------------------------------------------------------------------------------------------------------------------------------------------------------------------------------------------------------------------------------------------	---------------------------------------------------------------------------------------------------------------------------------------	-----------------------------------------------------------------------------------	---------------------------------------------------------------------------------------------------------------------------------------------------------------

CoB 800lm 500mA WW 100°



KR-504CS	  IP65 	 <p style="text-align: right;">*800lm 1300lm</p>		<p>LED</p> <p>SHARP CoB</p> <p>POWER</p> <p>*7.5W (500mA, 15V) *800lm for standard application</p> <p>INPUT</p> <p>AC 100 - 240V</p>
----------	------------------------------------------------------------------------------------------------------------------------------------------------------------------------------------------------------------------------------------------------------------	----------------------------------------------------------------------------------------------------------------------------------------	-------------------------------------------------------------------------------------	---------------------------------------------------------------------------------------------------------------------------------------------------------------

CoB 800lm 500mA WW 95°





OQO-506

Hyper Energy Saving

LED: 1000lm@10W (350mA)

Hyper Long Lifespan

LED: 40,000 hours

Low Maintenance Cost

■ Features

- Shielded light with glare-free illumination, IP65 protection,
- Good thermal management guarantee long lifespan.
- Special structure diffuser provide smooth light distribution.
- AC 220-240V (driver built-in).
- With stainless front cover as accessory.
- No UV or IR radiation.
- Design with pre-installed box.

■ Application

The luminaires is with a high level visual comfort and uniform light output, perfect for footpaths and corridors.

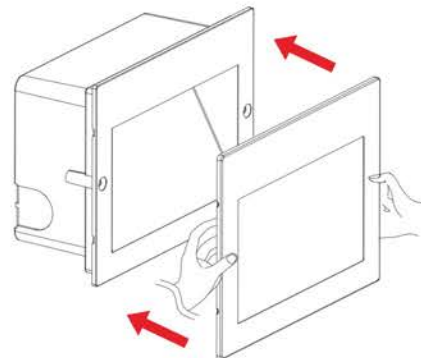
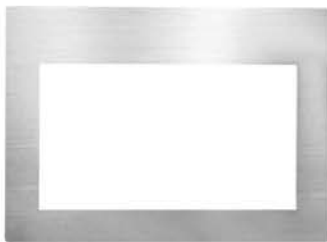


OQO-506 with AC-506A

ACCESSORIES

AC-506A

Housing: stainless Steel.

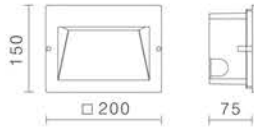


WALL LIGHTS

COLOR : BF ■ SB ■ LED COLOR : WW ■ NW ■



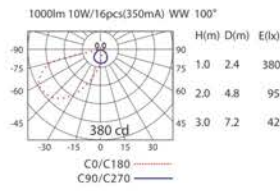
1000lm



QO0-506

LED	POWER	LED COLOR	COLOR
OSRAM 16PCS	10W(350mA) AC 220-240V	■ WW ■ NW	■ BF ■ SB

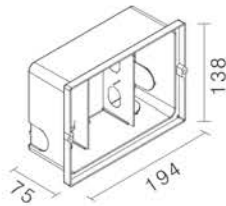
Mounting frame: aluminium, paint.
Housing: aluminium, paint.



PRE-INSTALL BOX

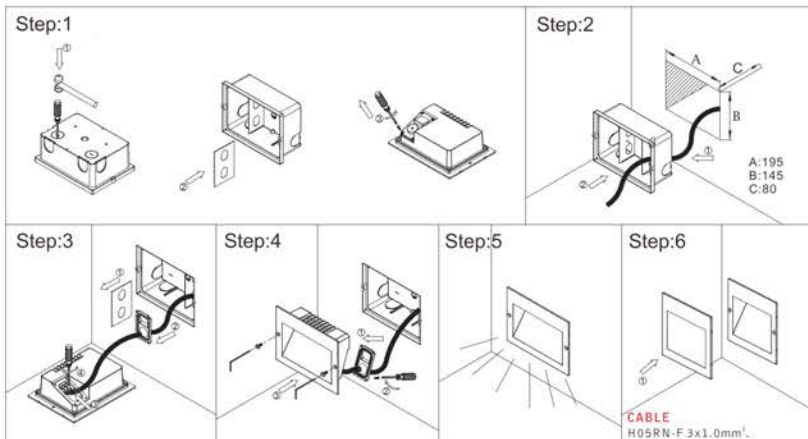


STANDARD



AC-506
PRE-INSTALL BOX
Housing: Plastic.
Support frame: Steel.

INSTRUCTION FOR CONCRETE WALL INSTALLATION



■ Features

- IP65.
- Elegant style with round and square main body.
- Products is with complete range of lumen output to meet different requests.
- Eco-friendly Cob LED technology along with energy saving and low maintenance cost.
- Lampshade designed with safety glass, and precise optical technology provide high quality light effect.
- Stat-of-art thermal management design guarantees long lifespan.
- Anti-dazzle design create a visual comfort.
- No UV radiation.

Hyper Energy Saving

CoB: 1300lm@13W (350mA)
 2400lm@18W (500mA)
 3100lm@25.5W (700mA)

Hyper Long Lifespan

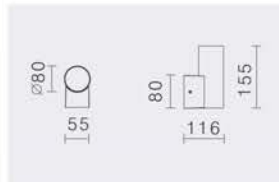
CoB: 40,000 hours
 Low Maintenance Cost

■ Application

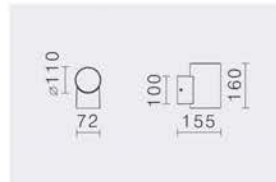
Wall luminaires for hall way, wall , and corridor.



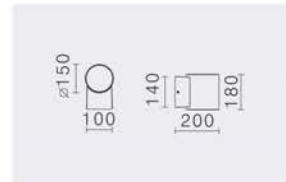
OBA-113R (SHARP)
 CoB: 1300lm
 13W(350mA,37V)
 AC 100-240V



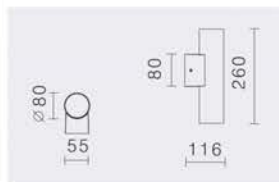
OBA-114R (CITIZEN)
 CoB: 2400lm
 18W(500mA,36V)
 AC 100-240V



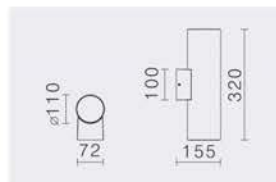
OBA-116R (CITIZEN)
 CoB: 3100lm
 25.5W(700mA,36V)
 AC 120-240V



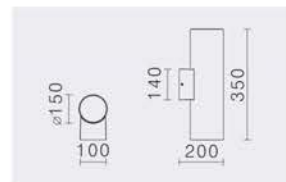
OBA-133R (SHARP)
 CoB: 1300lm
 13W(350mA,37V)
 AC 120-240V



OBA-134R (CITIZEN)
 CoB: 2400lm
 18W(500mA,36V)
 AC 100-240V



OBA-136R (CITIZEN)
 CoB: 3100lm
 25.5W(700mA,36V)
 AC 120-240V

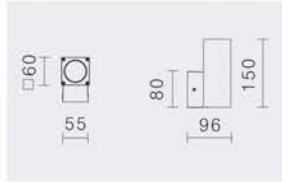


WALL LIGHTS

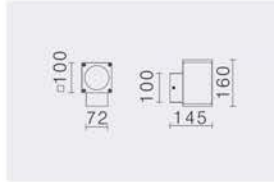
COLOR : BF ■ SV ■ LED COLOR : WW ■ NW ■



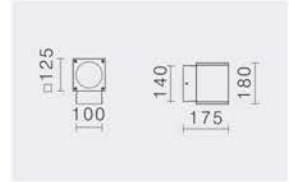
OBA-112S (SHARP)
CoB: 1300lm
13W(350mA,37V)
AC 100-240V



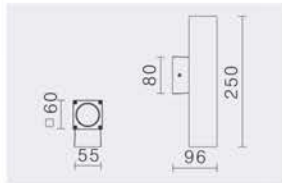
OBA-114S (CITIZEN)
CoB: 2400lm
18W(500mA,36V)
AC 100-240V



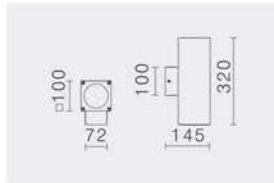
OBA-116S (CITIZEN)
CoB: 3100lm
25.5W(700mA,36V)
AC 120-240V



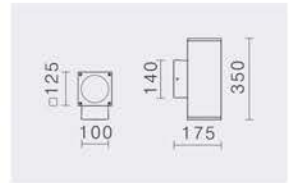
OBA-132S (SHARP)
CoB: 1300lm
13W(350mA,37V)
AC 120-240V



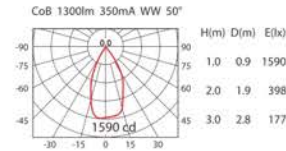
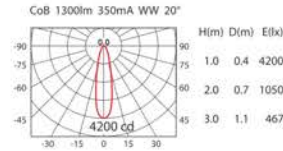
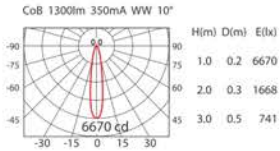
OBA-134S (CITIZEN)
CoB: 2400lm
18W(500mA,36V)
AC 100-240V



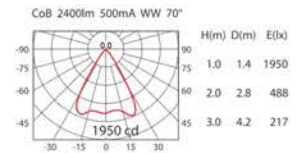
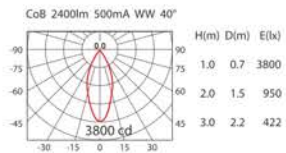
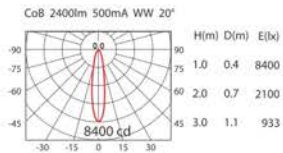
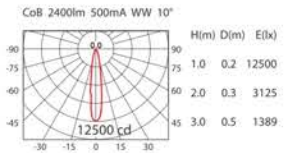
OBA-136S (CITIZEN)
CoB: 3100lm
25.5W(700mA,36V)
AC 120-240V



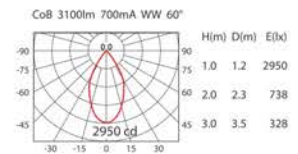
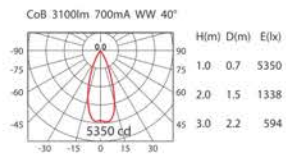
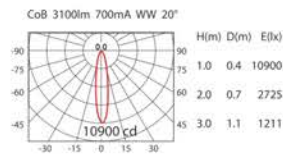
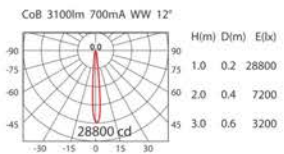
OBA-113R/OBA-133R/OBA-112S/OBA-132S



OBA-114R/OBA-134R/OBA-114S/OBA-134S



OBA-116R/OBA-136R/OBA-116S/OBA-136S



WALL LIGHTS



Features

- IP65.
- Elegant style with patent waterproofing design.
- Complete range of products for a variety of applications.
- Eco-friendly LED technology along with energy saving and low maintenance cost.
- Lampshade designed with safety glass, and precise optical technology create a high performance.
- Patent thermal management guarantees long lifespan.
- Anti-dazzle design create a visual comfort.
- No UV or IR radiation.

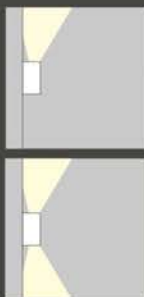
Application

Be used as wall luminaires in hall, wall, gate post, and corridor.

MATERIAL

LIGHT FIXTURE
Aluminium, paint.

LAMP SHADE
Safety glass.



WALL LIGHTS



KA-112R
(1.2Wx3)



KA-122R
(3Wx3)



KA-132R
(1.2Wx3)x2



KA-142R
(1.2Wx3)x2



KA-212R
(1.2Wx3)x2



KA-222R
(3Wx3)x2



KA-242R
(1.2Wx3)x4



KA-113R
(1.2Wx6)



KA-123R
(3Wx6)



KA-133R
(1.2Wx6)x2



KA-143R
(1.2Wx6)x2



KA-213R
(1.2Wx6)x2



KA-223R
(3Wx6)x2



KA-243R
(1.2Wx6)x4



KA-114R
(1.2Wx12)



KA-124R
(1.2Wx12)



KA-134R
(1.2Wx12)x2



KA-144R
(1.2Wx12)x2



KA-116R
(1.2Wx15)



KA-126R
(1.2Wx15)



KA-136R
(1.2Wx15)x2



KA-146R
(1.2Wx15)x2

WALL LIGHTS

COLOR : BF ■ SV ■ LED COLOR : WW ■ NW ■

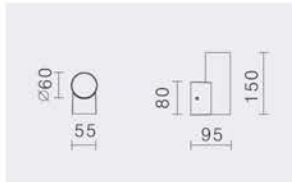


INPUT

AC 100 - 240V

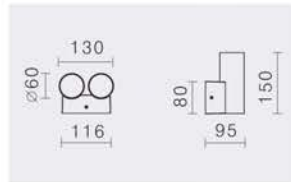
KA-112R

LED: OSRAM 1.2Wx3 (350mA)



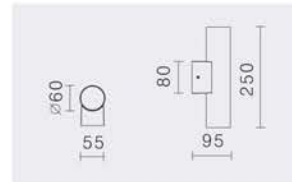
KA-212R

LED: OSRAM (1.2Wx3)x2 (350mA)



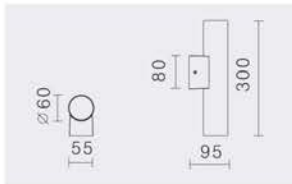
KA-132R

LED: OSRAM (1.2Wx3)x2 (350mA)



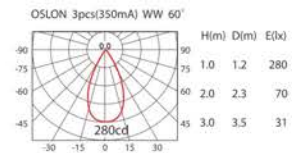
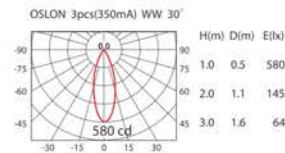
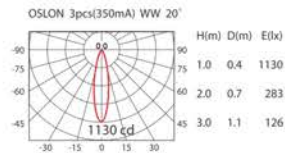
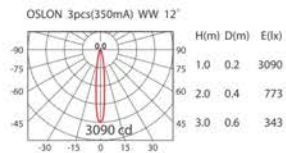
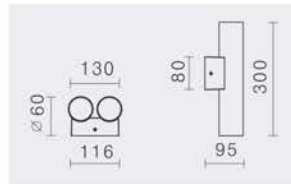
KA-142R

LED: OSRAM (1.2Wx3)x2 (350mA)



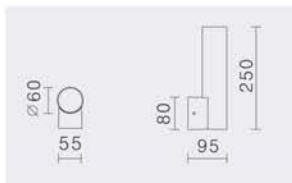
KA-242R

LED: OSRAM (1.2Wx3)x4 (350mA)



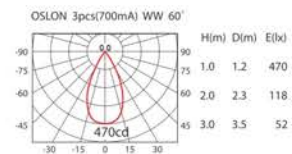
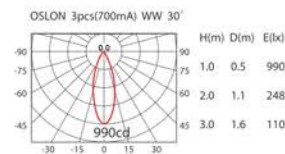
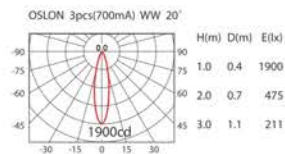
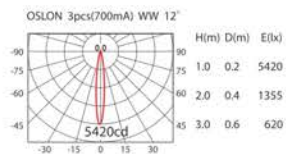
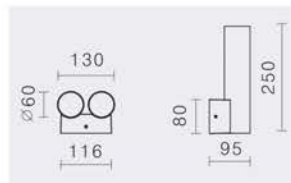
KA-122R

LED: OSRAM 3Wx3 (700mA)



KA-222R

LED: OSRAM (3Wx3)x2 (700mA)



WALL LIGHTS

COLOR : BF ■ SV ■ LED COLOR : WW ■ NW ■

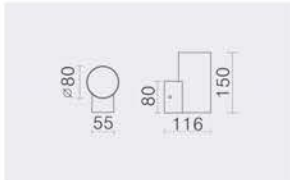


INPUT

AC 220 - 240V

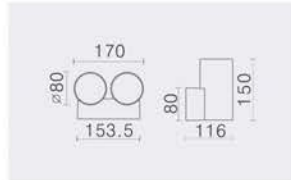
KA-113R

LED: OSRAM 1.2Wx6 (350mA)



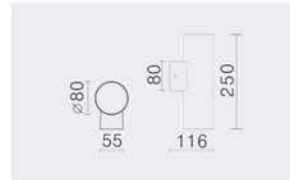
KA-213R

LED: OSRAM (1.2Wx6)x2 (350mA)



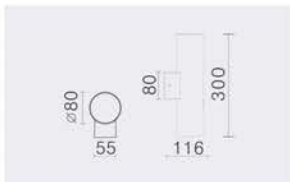
KA-133R

LED: OSRAM (1.2Wx6)x2 (350mA)



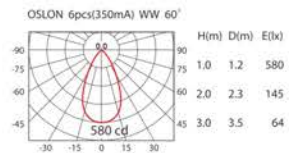
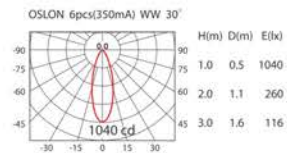
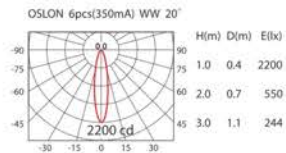
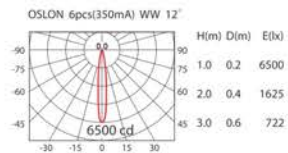
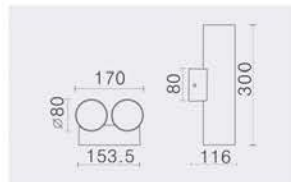
KA-143R

LED: OSRAM (1.2Wx6)x2 (350mA)



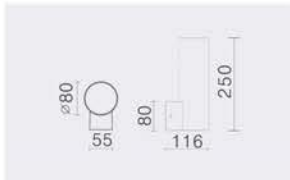
KA-243R

LED: OSRAM (1.2Wx6)x4 (350mA)



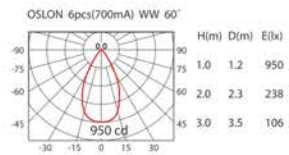
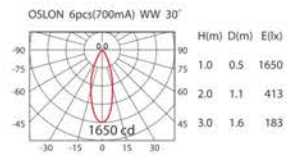
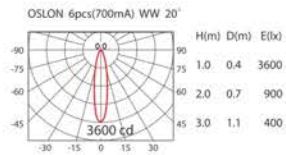
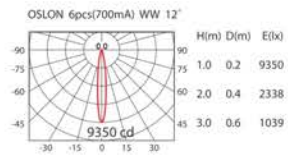
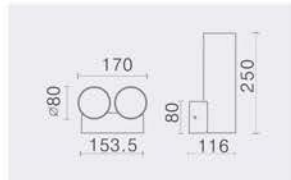
KA-123R

LED: OSRAM 3Wx6 (700mA)



KA-223R

LED: OSRAM (3Wx6)x2 (700mA)



WALL LIGHTS

COLOR : BF ■ SV ■ LED COLOR : WW ■ NW ■

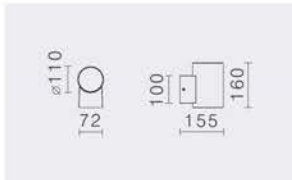


INPUT

AC 100 - 240V

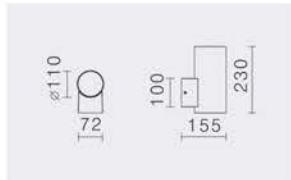
KA-114R

LED: OSRAM 1.2Wx12 (350mA)



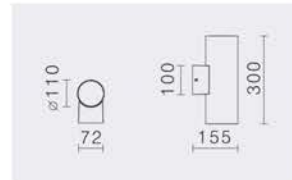
KA-124R

LED: OSRAM 1.2Wx12 (350mA)



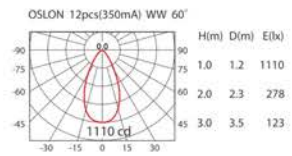
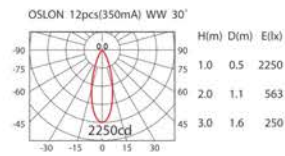
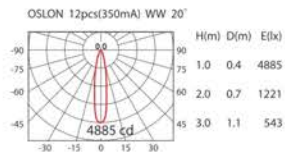
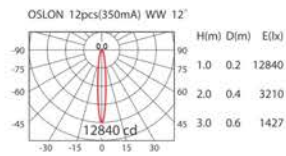
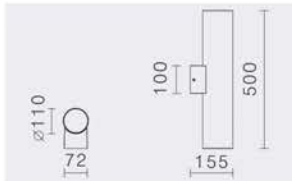
KA-134R

LED: OSRAM (1.2Wx12)x2 (350mA)



KA-144R

LED: OSRAM (1.2Wx12)x2 (350mA)



WALL LIGHTS

COLOR : BF ■ SV ■ LED COLOR : WW ■ NW ■

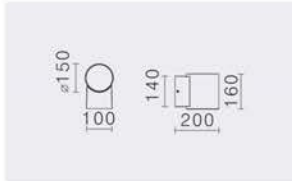


INPUT

AC 100 - 240V

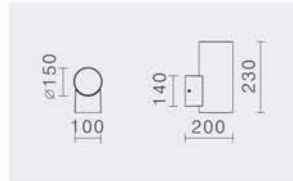
KA-116R

LED: OSRAM 1.2Wx15 (350mA)



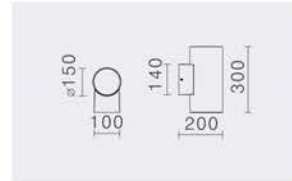
KA-126R

LED: OSRAM 1.2Wx15 (350mA)



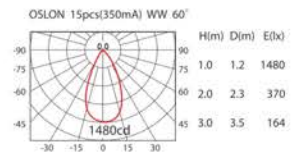
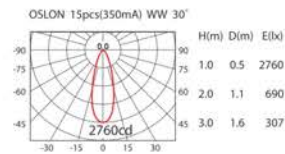
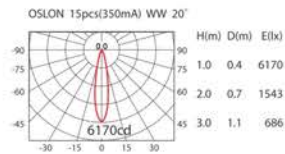
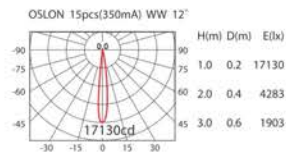
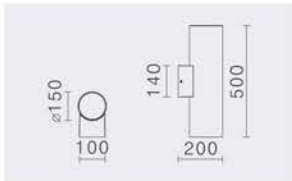
KA-136R

LED: OSRAM (1.2Wx15)x2 (350mA)



KA-146R

LED: OSRAM (1.2Wx15)x2 (350mA)



WALL LIGHTS



Features

- The series is with elegant design and deep anti-dazzled design.
- Eco-friendly CoB technology with energy saving and low maintenance cost.
- Designed with angle-marking knob on the side, can be precise adjusted the tilting angle by installer.
- IP65 and good thermal management guarantees 40,000 hours lifespan.
- No UV or IR radiation.

Application

Spotlight for garden, tree and private house.

ANGLE-MARKING KNOB ON THE SIDE



FUNCTION

LIGHT HEAD

0° - 140° tilt.

BRACKET

0° - 355° rotate.

MATERIAL

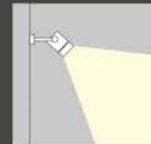
LIGHT HEAD

Aluminium, painting.

BRACKET

Aluminum, painting.

ROTATE & TILT



ACCESSORIES



Honeycomb







Sculptured Glass

0FA-108A	AC-108C	AC-108D
0FA-107A	AC-107C	AC-107D
0FA-105A	AC-105C	AC-105D

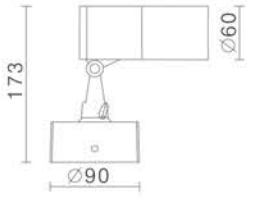
WALL LIGHTS

COLOR : BF ■ SB ■ LED COLOR : WW ■ NW ■

OFA-108A   IP65  DRIVER Built-in



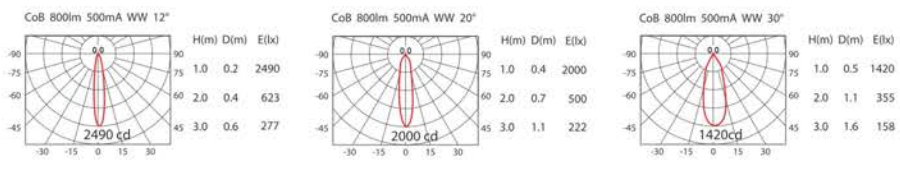
ErP Class **A** 800lm







LED
SHARP CoB

POWER
7.5W (500mA, 15V)

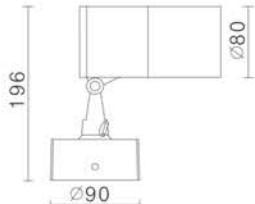
INPUT
AC 100 - 240V



OFA-107A   IP65  DRIVER Built-in



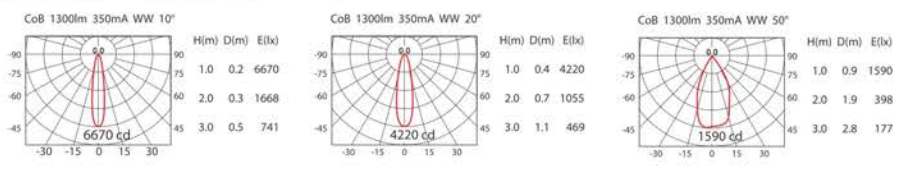
ErP Class **A** 1300lm


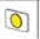




LED
SHARP CoB

POWER
13W (350mA, 37V)

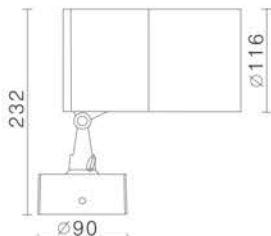
INPUT
AC 100 - 240V



OFA-105A   IP65  DRIVER Built-in



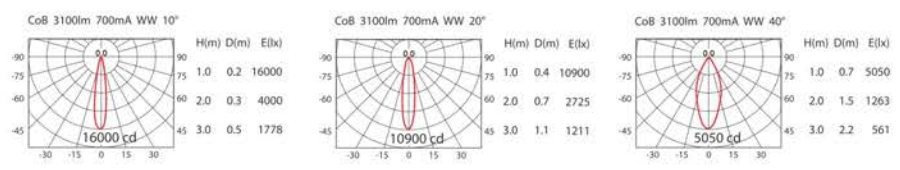
ErP Class **A** 3100lm



LED
CITIZEN CoB

POWER
25.5W(700mA,36V)

INPUT
AC 120 - 240V



WALL LIGHTS



Features

- IP65.
- Elegant style with patent waterproofing design.
- Complete range of products for a variety of applications.
- Eco-friendly LED technology along with energy saving and low maintenance cost.
- Lampshade designed with safety glass, and precise optical technology create a high performance.
- Patent thermal management guarantees long lifespan.
- Anti-dazzle design create a visual comfort.
- No UV or IR radiation.

Application

Be used as wall luminaires in hall, wall, gate post, and corridor.

MATERIAL

LIGHT FIXTURE
Aluminium, paint.

LAMP SHADE
Safety glass.



WALL LIGHTS



KA-112S
(1.2Wx3)



KA-122S
(3Wx3)



KA-132S
(1.2Wx3)x2



KA-142S
(1.2Wx3)x2



KA-212S
(1.2Wx3)x2



KA-222S
(3Wx3)x2



KA-242S
(1.2Wx3)x4



KA-113S
(1.2Wx6)



KA-123S
(3Wx6)



KA-133S
(1.2Wx6)x2



KA-143S
(1.2Wx6)x2



KA-213S
(1.2Wx6)x2



KA-223S
(3Wx6)x2



KA-243S
(1.2Wx6)x4



KA-114S
(1.2Wx12)



KA-124S
(1.2Wx12)



KA-134S
(1.2Wx12)x2



KA-144S
(1.2Wx12)x2



KA-116S
(1.2Wx15)



KA-126S
(1.2Wx15)



KA-136S
(1.2Wx15)x2



KA-146S
(1.2Wx15)x2

WALL LIGHTS

COLOR : BF ■ SV ■ LED COLOR : WW ■ NW ■

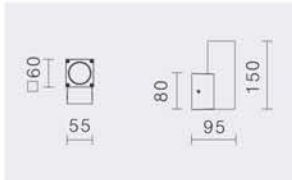


INPUT

AC 100 - 240V

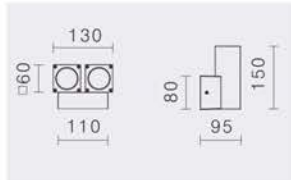
KA-112S

LED: OSRAM 1.2Wx3 (350mA)



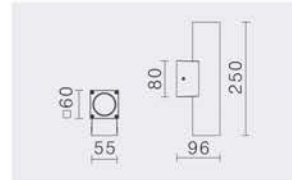
KA-212S

LED: OSRAM (1.2Wx3)x2 (350mA)



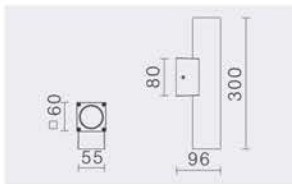
KA-132S

LED: OSRAM (1.2Wx3)x2 (350mA)



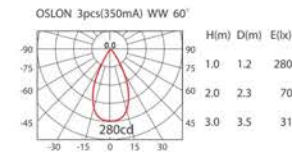
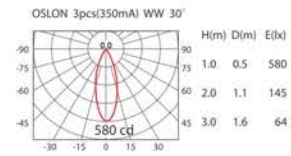
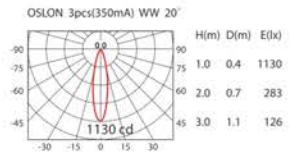
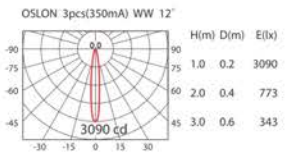
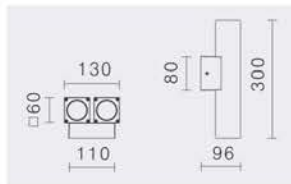
KA-142S

LED: OSRAM (1.2Wx3)x2 (350mA)



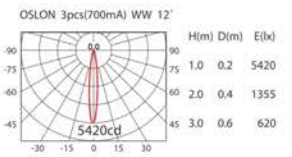
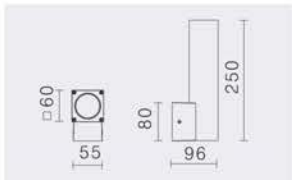
KA-242S

LED: OSRAM (1.2Wx3)x4 (350mA)



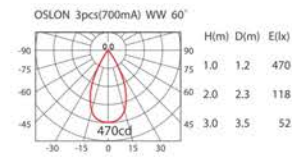
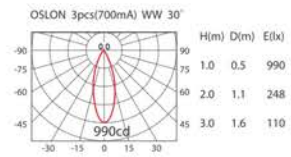
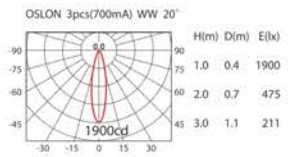
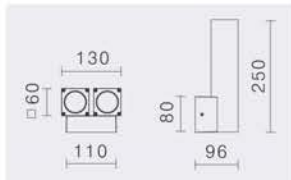
KA-122S

LED: OSRAM 3Wx3 (700mA)



KA-222S

LED: OSRAM (3Wx3)x2 (700mA)



WALL LIGHTS

COLOR : BF ■ SV ■ LED COLOR : WW ■ NW ■

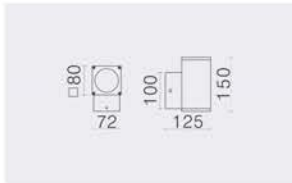


INPUT

AC 100 - 240V

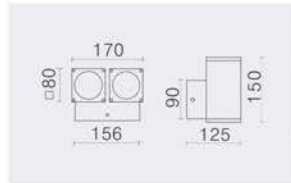
KA-113S

LED: OSRAM 1.2Wx6 (350mA)



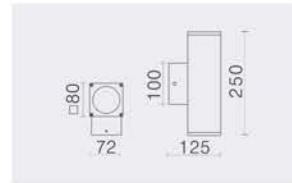
KA-213S

LED: OSRAM (1.2Wx6)x2 (350mA)



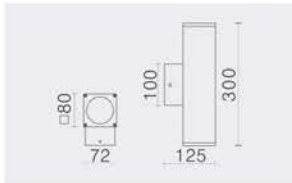
KA-133S

LED: OSRAM (1.2Wx6)x2 (350mA)



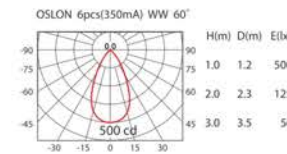
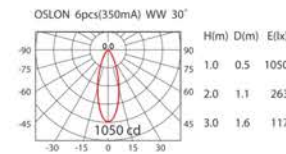
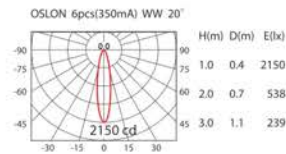
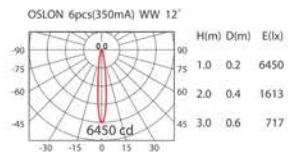
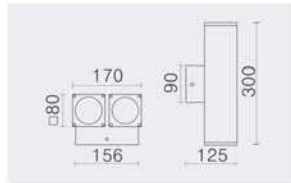
KA-143S

LED: OSRAM (1.2Wx6)x2 (350mA)



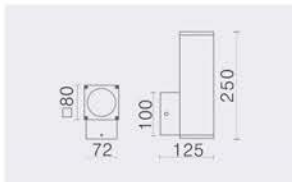
KA-243S

LED: OSRAM (1.2Wx6)x4 (350mA)



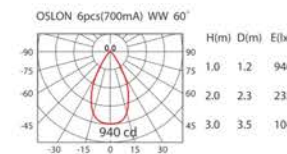
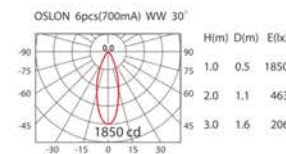
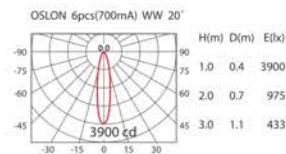
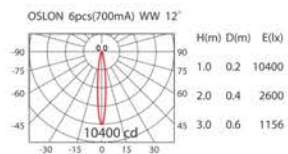
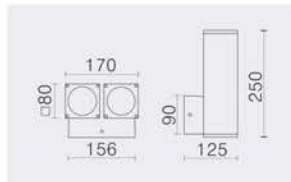
KA-123S

LED: OSRAM 3Wx6 (700mA)



KA-223S

LED: OSRAM (3Wx6)x2 (700mA)



WALL LIGHTS

COLOR : BF ■ SV ■ LED COLOR : WW ■ NW ■

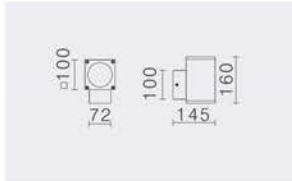


INPUT

AC 100 - 240V

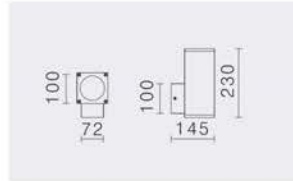
KA-114S

LED: OSRAM 1.2Wx12 (350mA)



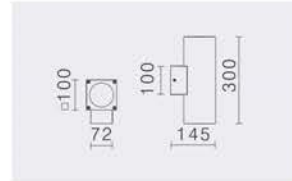
KA-124S

LED: OSRAM 1.2W12 (350mA)



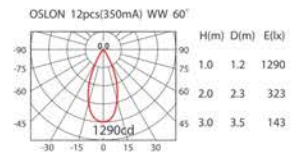
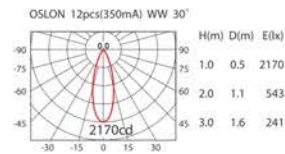
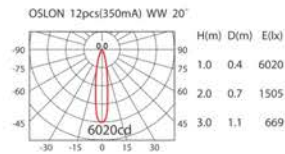
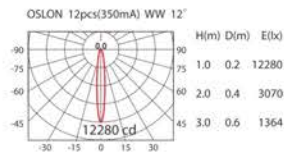
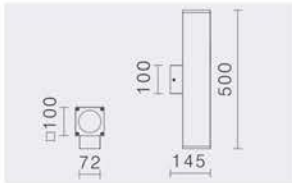
KA-134S

LED: OSRAM (1.2Wx12)x2 (350mA)



KA-144S

LED: OSRAM (1.2Wx12)x2 (350mA)



WALL LIGHTS

COLOR : BF ■ SV ■ LED COLOR : WW ■ NW ■

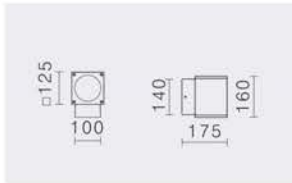


INPUT

AC 100 - 240V

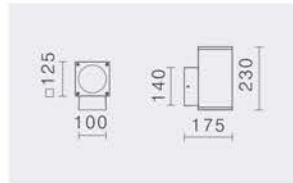
KA-116S

LED: OSRAM 1.2Wx15 (350mA)



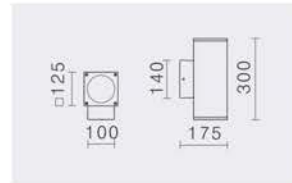
KA-126S

LED: OSRAM 1.2Wx15 (350mA)



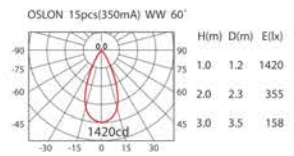
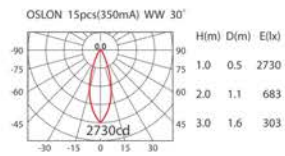
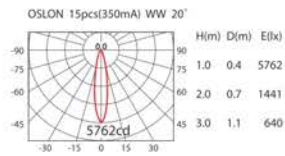
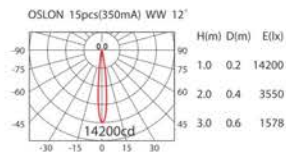
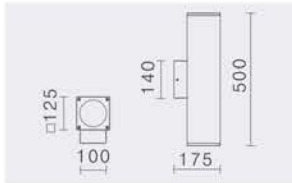
KA-136S

LED: OSRAM (1.2Wx15)x2 (350mA)



KA-146S

LED: OSRAM (1.2Wx15)x2 (350mA)



WALL LIGHTS



Features

- IP65 suitable for the outdoor surroundings.
- Eco- friendly LED technology along with energy saving and low maintenance cost.
- Patent thermal management guarantees a long life span.
- 355° rotation and 90° tilt angle to maximize the lighting range
- Anti- dazzle design create a visual comfort

Application

Efficiently light distribution for outdoor applications, such as bounding walls, building surfaced, doorposts, bridges, piers and so on.

FUNCTION

LIGHT HEAD
0° - 120° tilt on the bracket.

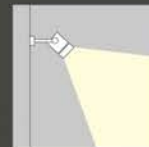
BRACKET
355° rotation on the mounting base.

MATERIAL

LIGHT HEAD
Aluminium, paint.

BRACKET
Aluminium, paint

MOUNTING BASE
Aluminium, paint



ACCESSORIES



AC-203

Honeycomb with glass For
GA-113A
GA-113B
GA-123A
GA-123B



AC-206

Honeycomb with glass For
GA-116A
GA-116B
GA-126A
GA-126B



AC-209

Honeycomb with glass For
GA-119A
GA-119B
GA-129A
GA-129B



AC-215

Honeycomb with glass For
GA-125A
GA-125B
GA-135A
GA-135B
GA-122A
GA-132A
GA-122B
GA-132B

WALL LIGHTS



GA-113A
(1.2Wx3)



GA-116A
(1.2Wx6)



GA-119A
(1.2Wx9)



GA-122A
(1.2Wx12)



GA-125A
(1.2Wx15)



GA-123A
(1.2Wx3)



GA-126A
(1.2Wx6)



GA-129A
(1.2Wx9)



GA-132A
(1.2Wx12)



GA-135A
(1.2Wx15)



GA-113B
(1.2Wx3)



GA-116B
(1.2Wx6)



GA-119B
(1.2Wx9)



GA-122B
(1.2Wx12)



GA-125B
(1.2Wx15)



GA-123B
(1.2Wx3)



GA-126B
(1.2Wx6)



GA-129B
(1.2Wx9)



GA-132B
(1.2Wx12)



GA-135B
(1.2Wx15)

DIFFERENCE BETWEEN THREE MODELS



Oblique ring with drainage holes.



Anti-glare ring with drainage hole.



The connected knob on the brace help the luminaire body to rotate 355°.



The knob with the scale helps the precise adjustment within 120° the demand without any other tools.



Special drain design to prevent from water saturating.

INSTALLATION



Ceiling mounted



Wall-surface mounted

WALL LIGHTS

COLOR : BF ■ SV ■ LED COLOR : WW ■ NW ■



INPUT

AC 100 - 240V

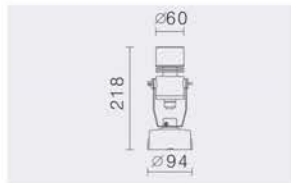
GA-113A

LED: OSRAM 1.2Wx3 (350mA)



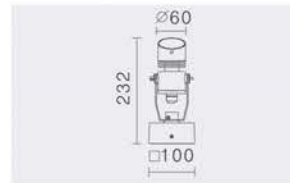
GA-123A

LED: OSRAM 1.2Wx3 (350mA)



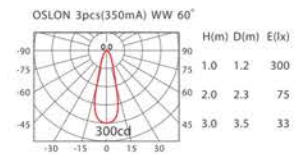
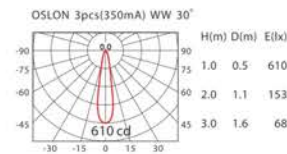
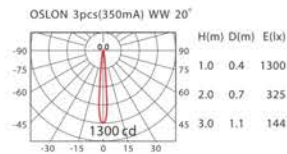
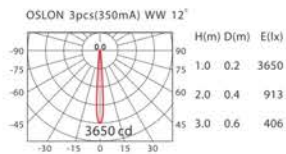
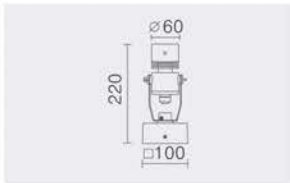
GA-113B

LED: OSRAM 1.2Wx3 (350mA)



GA-123B

LED: OSRAM 1.2Wx3 (350mA)



WALL LIGHTS

COLOR : BF ■ SV ■ LED COLOR : WW ■ NW ■



INPUT

AC 100 - 240V

GA-116A

LED: OSRAM 1.2Wx6 (350mA)



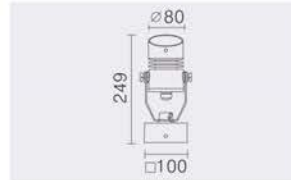
GA-126A

LED: OSRAM 1.2Wx6 (350mA)



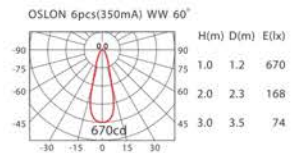
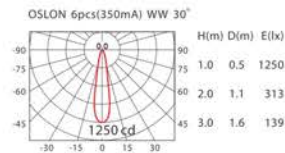
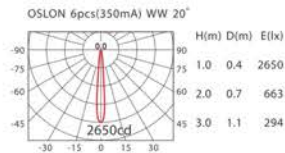
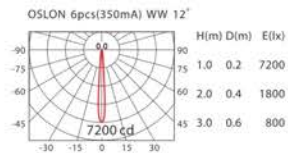
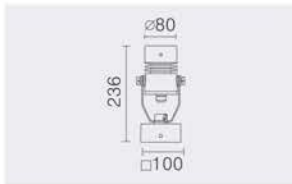
GA-116B

LED: OSRAM 1.2Wx6 (350mA)



GA-126B

LED: OSRAM 1.2Wx6 (350mA)



WALL LIGHTS

COLOR : BF ■ SV ■ LED COLOR : WW ■ NW ■

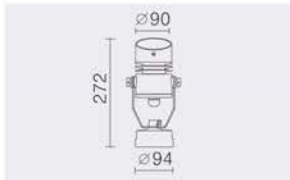


INPUT

AC 100 - 240V

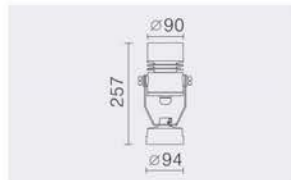
GA-119A

LED: OSRAM 1.2Wx9 (350mA)



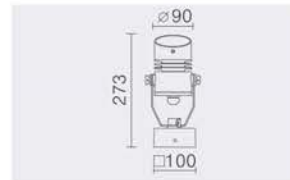
GA-129A

LED: OSRAM 1.2Wx9 (350mA)



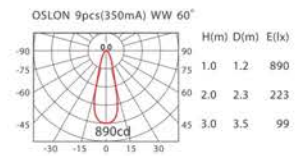
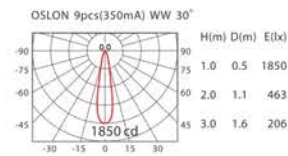
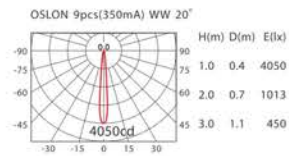
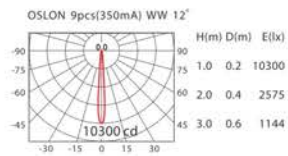
GA-119B

LED: OSRAM 1.2Wx9 (350mA)



GA-129B

LED: OSRAM 1.2Wx9 (350mA)



WALL LIGHTS

COLOR : BF ■ SV ■ LED COLOR : WW ■ NW ■



ErP
Class
A



INPUT

AC 100 - 240V

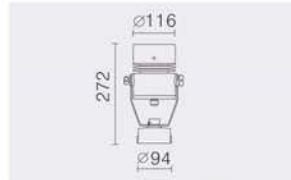
GA-122A

LED: OSRAM 1.2Wx12 (350mA)



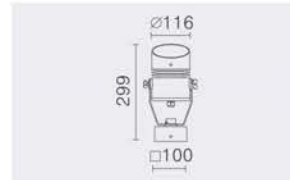
GA-132A

LED: OSRAM 1.2Wx12 (350mA)



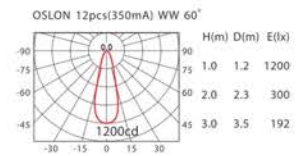
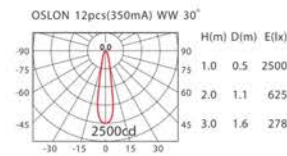
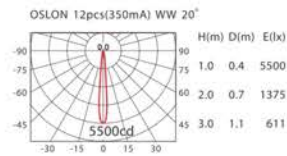
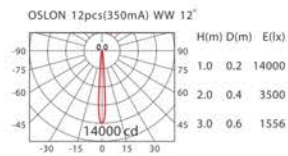
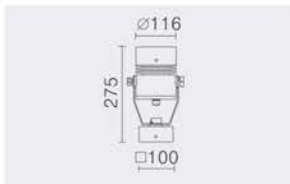
GA-122B

LED: OSRAM 1.2Wx12 (350mA)



GA-132B

LED: OSRAM 1.2Wx12 (350mA)



WALL LIGHTS

COLOR : BF ■ SV ■ LED COLOR : WW ■ NW ■

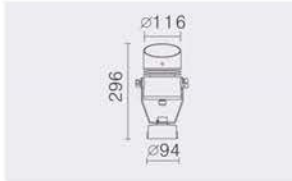


INPUT

AC 100 - 240V

GA-125A

LED: OSRAM 1.2Wx15 (350mA)



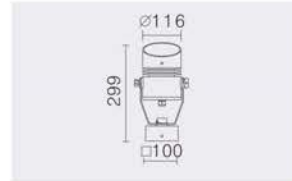
GA-135A

LED: OSRAM 1.2Wx15 (350mA)



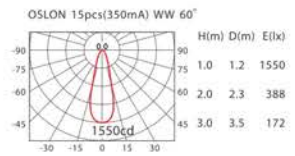
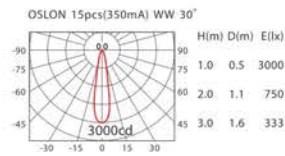
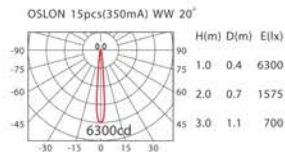
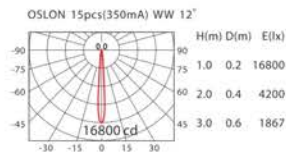
GA-125B

LED: OSRAM 1.2Wx15 (350mA)



GA-135B

LED: OSRAM 1.2Wx15 (350mA)



WALL LIGHTS



Features

- IP65.
- Eco-friendly LED technology with energy saving and low maintenance cost.
- 140° tilt and 355° rotate extend the lighting applications.
- Good thermal management guarantees 50,000 hours lifespan.
- Deep front frame provide better glaring control.
- Ground spike for garden application.
- No UV or IR radiation.

Application

Spotlight for bounding walls, building surface, doorposts, bridges, piers and so on.

FUNCTION

LIGHT HEAD

0° - 90° tilt. (FA-315A)
0° - 140° tilt. (FA-303A, FA-304A, FA-309A)

BRACKET

0° - 355° rotation.

MATERIAL

LIGHT HEAD

Aluminium, painting.

BRACKET

Aluminium, painting.

MOUNTING BASE

Aluminium, painting.

CABLE

H05RN-F 3x1.0mm².

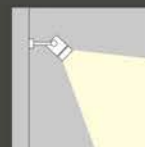
ACCESSORIES FOR FA-315A



Material:PC
Color:BK
For FA-315A only.



AC-215B
spike: steel,
plating.



WALL LIGHTS



FA-303A
(1.2Wx3)



FA-304A
(3Wx4)



FA-309A
(1.2Wx9)






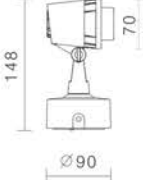
FA-315A
(1.2Wx15)



WALL LIGHTS

COLOR : BF ■ SV ■ LED COLOR : WW ■ NW ■

FA-303A  

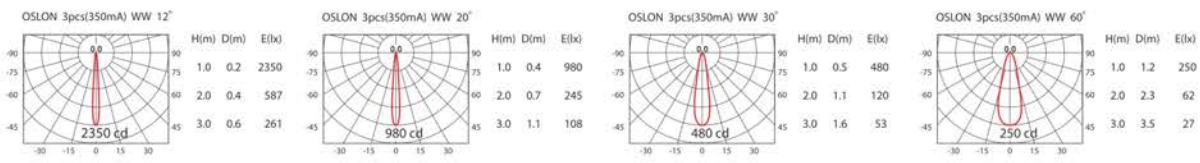





LED / Pieces
OSRAM / 3pcs


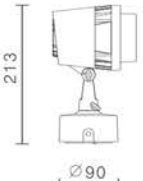
POWER
1.2Wx3 (350mA)

INPUT
AC 100 - 240V

ErP Class **A**



FA-304A  

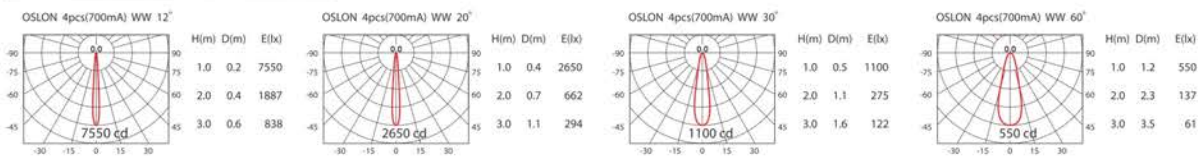





LED / Pieces
OSRAM / 4pcs


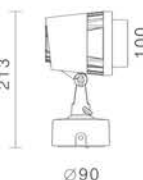
POWER
3Wx4 (700mA)

INPUT
AC 100 - 240V

ErP Class **A**



FA-309A  

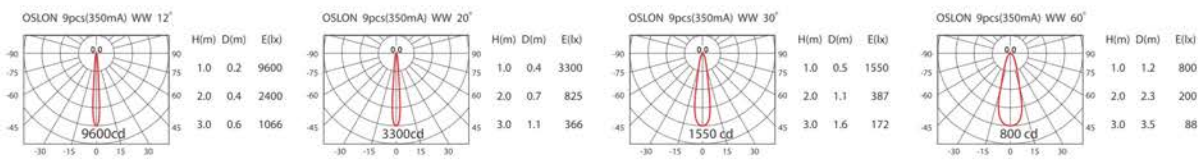



LED / Pieces
OSRAM / 9pcs

POWER
1.2Wx9 (350mA)

INPUT
AC 100 - 240V


ErP Class **A**



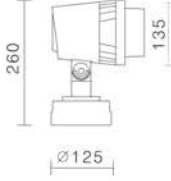
WALL LIGHTS

COLOR : BF ■ SV ■ LED COLOR : WW ■ NW ■

FA-315A



ErP
Class
A



LED / Pieces

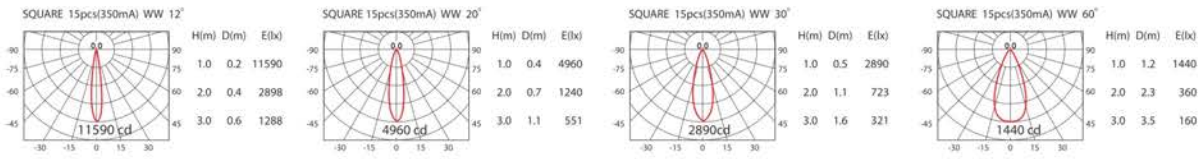
OSRAM / 15pcs

POWER

1.2Wx15 (350mA)

INPUT

AC 100 - 240V





LED LICHT THECHNIK GMBLT

Birkeneck 1-3
85399 Halbergmoos-Germany

Tel: 0049811 998266-0
Fax: 0049811 998266-29

All specifications are subject to change without prior notice.
Please contact the sales team for final specifications.